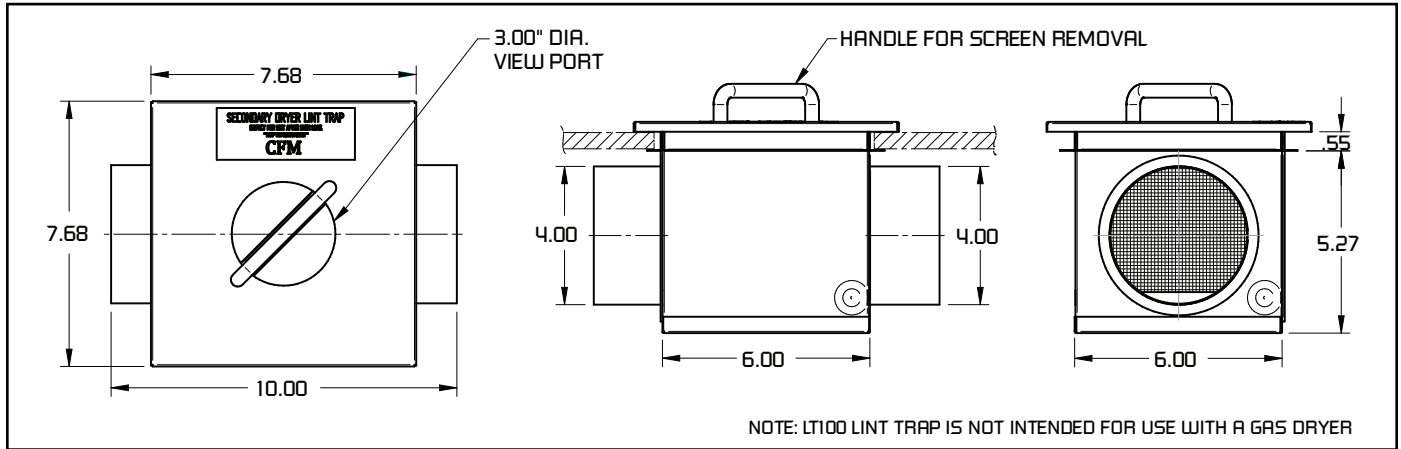


MODEL: LT100 - LINT TRAP

The LT100 Lint Trap offers a simple and user-friendly solution for reducing maintenance associated with dryer exhaust ducts. The one-piece door with screen slides easily and firmly into place, without having to fuss with flimsy springs or clips. Its versatile design allows for either wall or ceiling mount installations.



FEATURES & BENEFITS

- Ceiling or wall mount option
- Mounts flush with drywall surface; between 16" centers
- Can be painted to match décor
- Reduces lint build-up in duct
- Improves drying capacity
- Easy slide design is simple to use

CONSTRUCTION

- 20 ga. corrosion-resistant, satin coat steel
- 0.75" mounting flange
- One piece door with integral screen
 - Door is painted white with a 3" viewing port
- Galvanized mesh filter
- Sturdy slide mechanism

PROJECT		ARCHITECT		
DATE		ENGINEER		
SUBMITTED BY		CONTRACTOR		
SPECIFICATION				
FAN NO.	MODEL NO.	QTY	OPTIONAL EQUIPMENT	