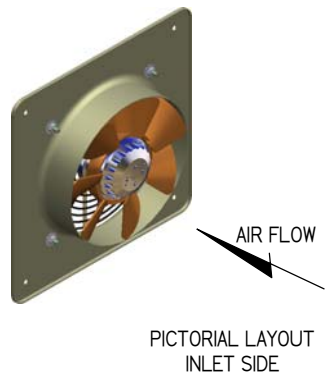
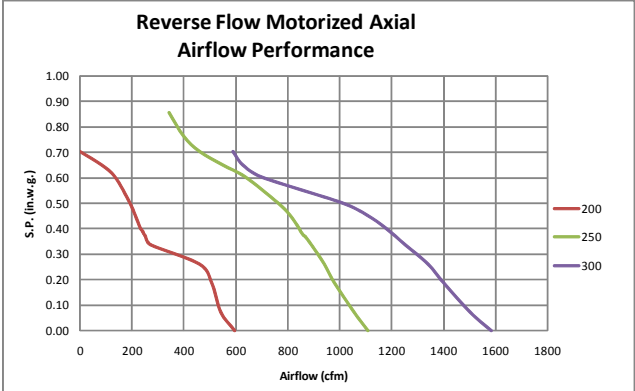
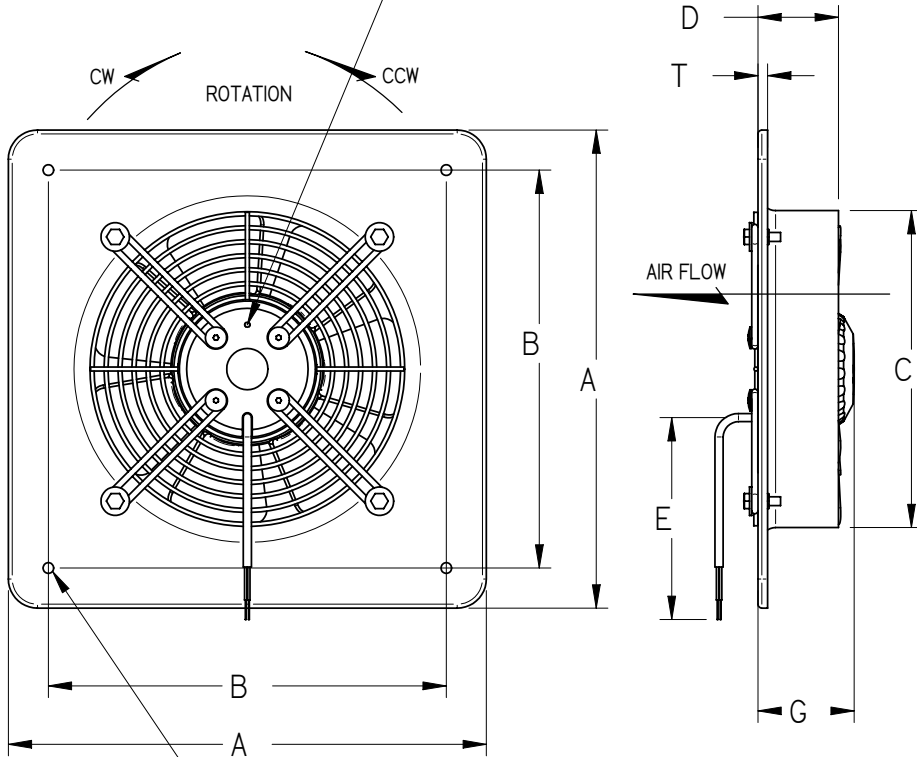
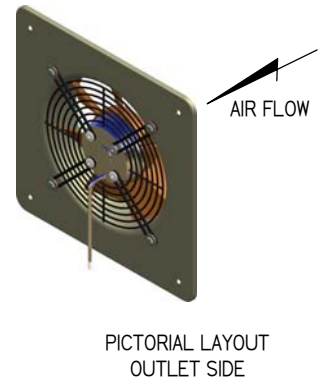


PROVISION FOR M4 GROUND SCREW  
MAXIMUM LENGTH 5 mm DEEP



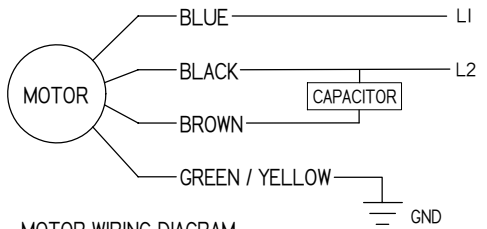
PART NUMBER	CFM	RPM	dBA	WATTS	AMPS	CAPACITOR
AMP200V-2-11	594	2665	66	74	0.62	6 x 440V
AMP250V-2-11	1107	3215	70	154	1.29	12 x 440V
AMP300V-2-11	1582	2905	76	225	1.88	20 x 250V

PART NUMBER	CFM	RPM	dBA	WATTS	AMPS	CAPACITOR
AMP200V-2-12	594	2710	66	85	0.37	2 x 440V
AMP250V-2-12	1107	2995	70	144	0.63	4 x 500V
AMP300V-2-12	1582	2940	76	261	1.14	6 x 440V



H DIAMETER 4 MOUNTING HOLES

IMPELLER MODEL	POWER SUPPLY	DIMENSIONS IN INCHES								IMPELLER ROTATION	CAPACITOR MODEL
		A	B	C	D	E	G	H	T		
RO-AMP200V-2-11	115/1/50-60	12.31	10.25	8.16	2.08	19.00	2.54	0.28	0.25	CCW	M0-CAP06M-440V
RO-AMP250V-2-11	115/1/50-60	14.56	12.62	10.05	2.12	19.00	2.88	0.26	0.25	CW	M0-CAP12M-440V
RO-AMP300V-2-11	115/1/50-60	17.00	15.00	12.05	3.18	19.00	3.79	0.26	0.25	CCW	MO-CAP20M-250V
RO-AMP200V-2-12	230/1/50-60	12.31	10.25	8.16	2.08	19.00	2.54	0.28	0.25	CCW	M0-CAP02M-440V
RO-AMP250V-2-12	230/1/50-60	14.56	12.62	10.05	2.12	19.00	2.88	0.26	0.25	CW	M0-CAP04M-500V
RO-AMP300V-2-12	230/1/50-60	17.00	15.00	12.05	3.18	19.00	3.79	0.26	0.25	CCW	MO-CAP06M-440V



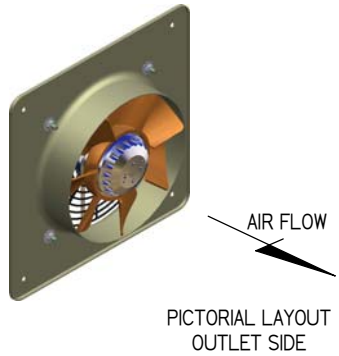
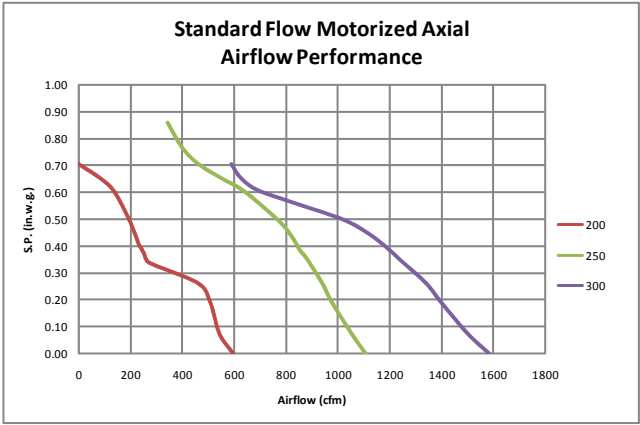
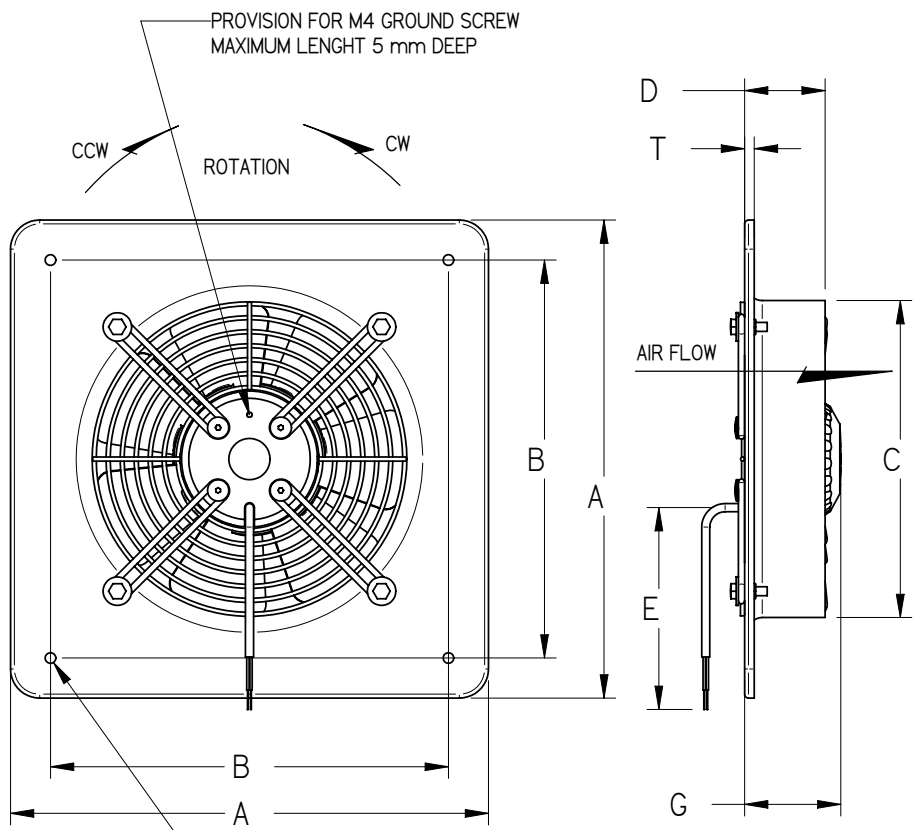
DIMENSIONS SUBJECT TO CHANGE WITHOUT NOTICE.  
DRAWING NOT TO BE USED FOR CONSTRUCTION.

**CFM**  
Better Airflow By Design

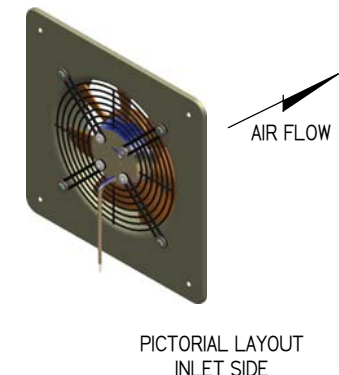
MOTORIZED AXIAL PANEL FAN  
AMP SERIES REVERSE FLOW SUBMITTAL

01	05 MARCH 2007	JEE
REV	DATE	BY
		JWA

19 FEB 2007 | AMP 000-00-100 Brochurepage.dft



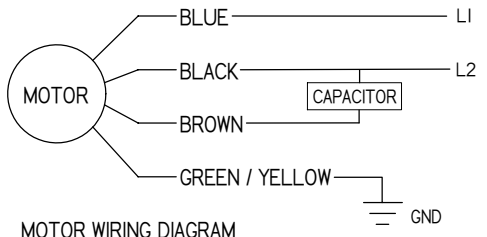
PART NUMBER	CFM	RPM	dBA	WATTS	AMPS	CAPACITOR
AMP200-2-11	594	2665	66	74	0.62	6 x 440V
AMP250-2-11	1107	3215	70	154	1.29	12 x 440V
AMP300-2-11	1582	2905	76	225	1.88	20 x 250V



PART NUMBER	CFM	RPM	dBA	WATTS	AMPS	CAPACITOR
AMP200-2-12	594	2710	66	85	0.37	2 x 440V
AMP250-2-12	1107	2995	70	144	0.63	4 x 500V
AMP300-2-12	1582	2940	76	261	1.14	6 x 440V

H DIAMETER 4 MOUNTING HOLES

IMPELLER MODEL	POWER SUPPLY	DIMENSIONS IN INCHES								IMPELLER ROTATION	CAPACITOR MODEL
		A	B	C	D	E	G	H	T		
R0-AMP200-2-11	115/1/50-60	12.31	10.25	8.16	2.08	19.00	2.54	0.28	0.25	CCW	M0-CAP06M-440V
R0-AMP250-2-11	115/1/50-60	14.56	12.62	10.05	2.12	19.00	2.88	0.26	0.25	CW	R0-CAP12M-440V
R0-AMP300-2-11	115/1/50-60	17.00	15.00	12.05	3.18	19.00	3.79	0.26	0.25	CCW	R0-CAP20M-250V
R0-AMP200-2-12	230/1/50-60	12.31	10.25	8.16	2.08	19.00	2.54	0.28	0.25	CCW	M0-CAP02M-440V
R0-AMP250-2-12	230/1/50-60	14.56	12.62	10.05	2.12	19.00	2.88	0.26	0.25	CW	R0-CAP04M-500V
R0-AMP300-2-12	230/1/50-60	17.00	15.00	12.05	3.18	19.00	3.79	0.26	0.25	CCW	R0-CAP06M-440V



DIMENSIONS SUBJECT TO CHANGE WITHOUT NOTICE  
DRAWING NOT TO BE USED FOR CONSTRUCTION

**Better Airflow By Design**

**MOTORIZED AXIAL PANEL FAN**

AMP SERIES STANDARD FLOW SUBMITTAL

01	05 MARCH 2007	JEE			
REV	DATE	BY	JWA	19 FEB 2007	AMP 000-00-100 Brochurepage.dft