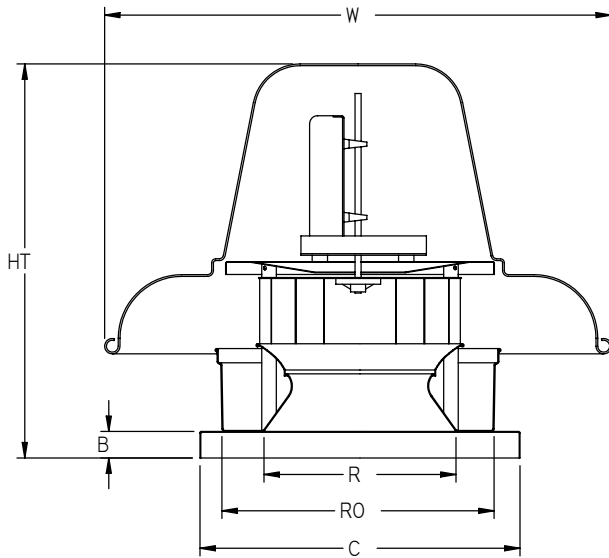


CDB SERIES DOWNBLAST EXHAUST FANS



CDB BELT DRIVE
CENTRIFUGAL DOWNBLAST EXHAUST FANS DIMENSIONAL DATA

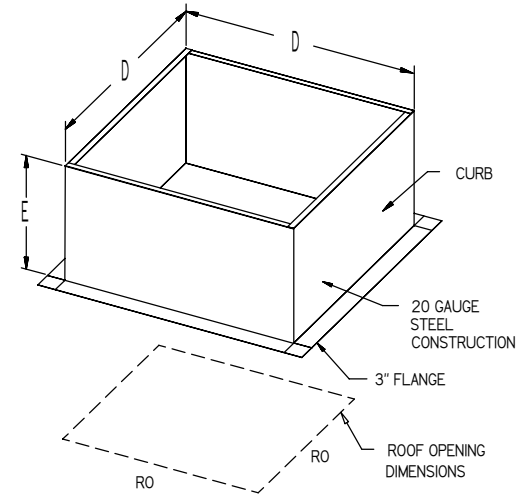
FAN MODEL	HT	W	B	C	R	RO	WEIGHT LB
CDB-07	25	26 1/4	2	21	12 1/8	16	90
CDB-08	25	26 1/4	2	21	12 1/8	16	90
CDB-09	25	26 1/4	2	21	12 1/8	16	90
CDB-11	25	26 1/4	2	21	12 1/8	16	105
CDB-13	26 3/4	29 5/8	2	21	13 1/4	16	105
CDB-15	30 5/8	33 1/4	2	24 3/4	14 7/8	20	130
CDB-18	32 3/4	38 1/4	2	28	16 1/2	24	190
CDB-20	32 1/4	38 1/4	2	28	18	24	195
CDB-24	37 1/4	42 1/2	2	33	23 7/8	28	215
CDB-30	40	52	2	40	24	36	380
CDB-36	45 9/16	63 7/16	2	44	25 1/4	40	470

FEATURES:

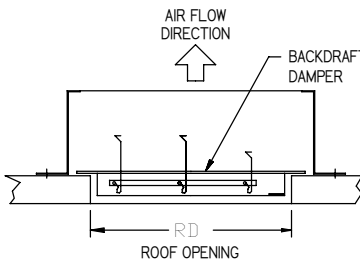
- ROOF MOUNTED FANS
- UL705
- AMCA SOUND AND AIR CERTIFIED
- WIRING FROM MOTOR TO DISCONNECT SWITCH
- DISCONNECT SWITCH
- STANDARD BIRD SCREEN

OPTIONS:

- HINGED FAN
- PITCHED CURB
- INSULATED CURB
- BACKDRAFT DAMPER

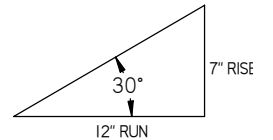


OPTIONAL ROOF CURB DETAILS



BACKDRAFT DAMPER INSTALLATION

PITCHED CURBS ARE AVAILABLE FOR PITCHED ROOFS.
SPECIFY PITCH:



EXAMPLE FORMAT: 7 / 12 PITCH = 30° SLOPE

CURB DIMENSIONAL DATA

FAN MODEL	D	E
CDB-07	19 1/2	12
CDB-08	19 1/2	12
CDB-09	19 1/2	12
CDB-11	19 1/2	12
CDB-13	19 1/2	12
CDB-15	23	12
CDB-18	26 1/2	12
CDB-20	26 1/2	12
CDB-24	31 1/2	12
CDB-30	38 1/2	12
CDB-36	42 1/2	12

DIMENSIONS SUBJECT TO CHANGE WITHOUT NOTICE.
DRAWING NOT TO BE USED FOR CONSTRUCTION.

CDB SERIES BELT DRIVE SUBMITTAL		
01	01 FEB. 2012	JEE
REV	DATE	BY
		J. E. EVANS 13 MAR. 2008 CDB GENERAL SUBMITTAL.dft