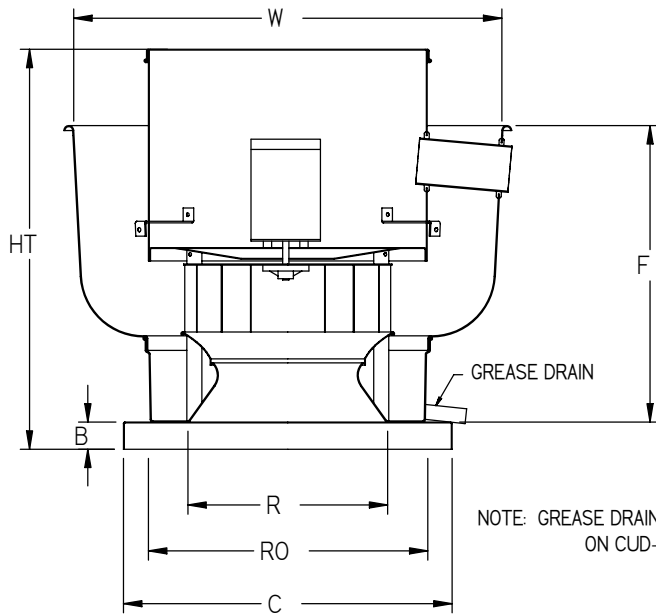


CUD SERIES UPBLAST EXHAUST FANS



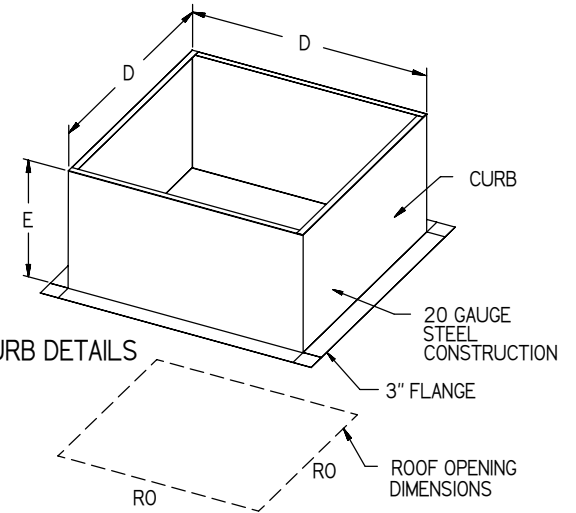
NOTE: GREASE DRAIN NOT REQ'D ON CUD-10

FEATURES:

- ROOF MOUNTED FANS
- UL705
- VARIABLE SPEED CONTROL
- INTERNAL WIRING
- WEATHERPROOF DISCONNECT
- THERMAL OVERLOAD PROTECTION (SINGLE PHASE)

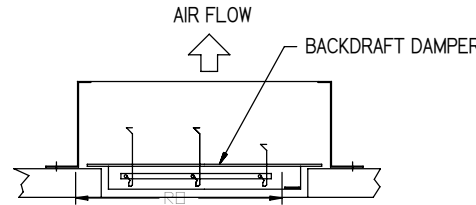
OPTIONS:

- BACKDRAFT DAMPER
- HINGED FAN
- PITCHED CURB
- INSULATED CURB
- BIRD SCREEN



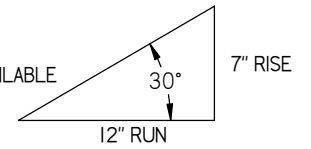
OPTIONAL ROOF CURB DETAILS

BACKDRAFT DAMPER INSTALLATION



ROOF OPENING

PITCHED CURBS ARE AVAILABLE FOR PITCHED ROOFS. SPECIFY PITCH:



EXAMPLE: 7/12 PITCH = 30° SLOPE


CUD DIRECT DRIVE CENTRIFUGAL UP-BLAST EXHAUST FANS DIMENSIONAL DATA

FAN MODEL	HT	W	B	C	F	R	RO	WEIGHT LB
CUD-10	14 1/2	17 3/4	2	19	9 1/2	8 1/8	13	30
CUD-12	18	22	2	19	14 1/2	10 5/8	13	40
CUD-30	25 1/4	25 1/2	2	21	18 1/2	12 1/8	16	50
CUD-33	25 1/4	25 1/2	2	21	18 1/2	12 1/8	16	50
CUD-50	27 1/4	28 7/8	2	21	21 1/2	13 1/4	16	55
CUD-85	30 1/2	31 7/8	2	24 3/4	23	14 7/8	20	60

CURB DIMENSIONAL DATA

FAN MODEL	D	E
CUD-10	17 1/2	12
CUD-12	17 1/2	12
CUD-30	19 1/2	12
CUD-33	19 1/2	12
CUD-50	19 1/2	12
CUD-85	23	12

DIMENSIONS SUBJECT TO CHANGE WITHOUT NOTICE. DRAWING NOT TO BE USED FOR CONSTRUCTION.

02 01		2010 FEB 20 10 4 55 AM		REV DATE BY		J. E. EVANS 13 MAR 2008		 Better Airflow By Design UPBLAST ROOF EXHAUST FAN	