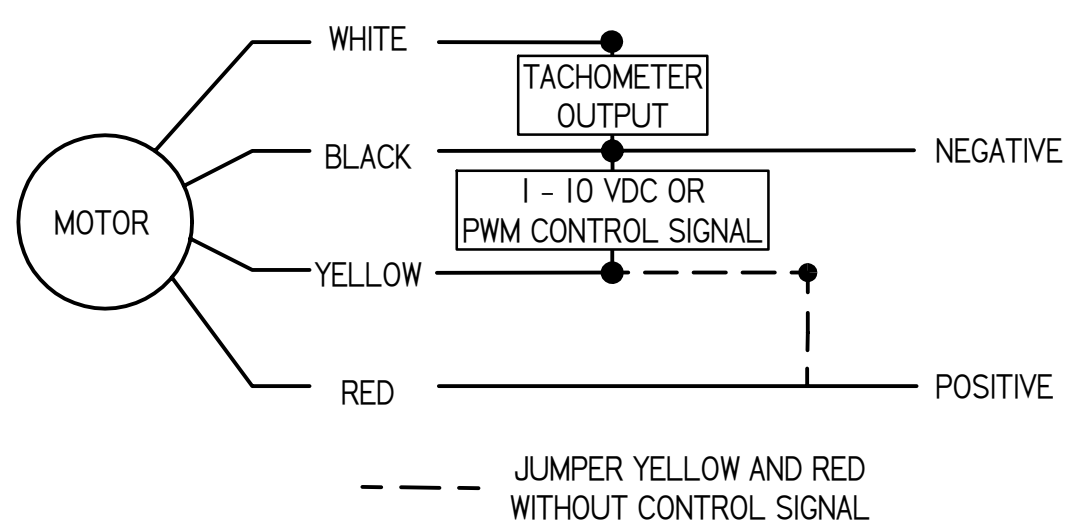
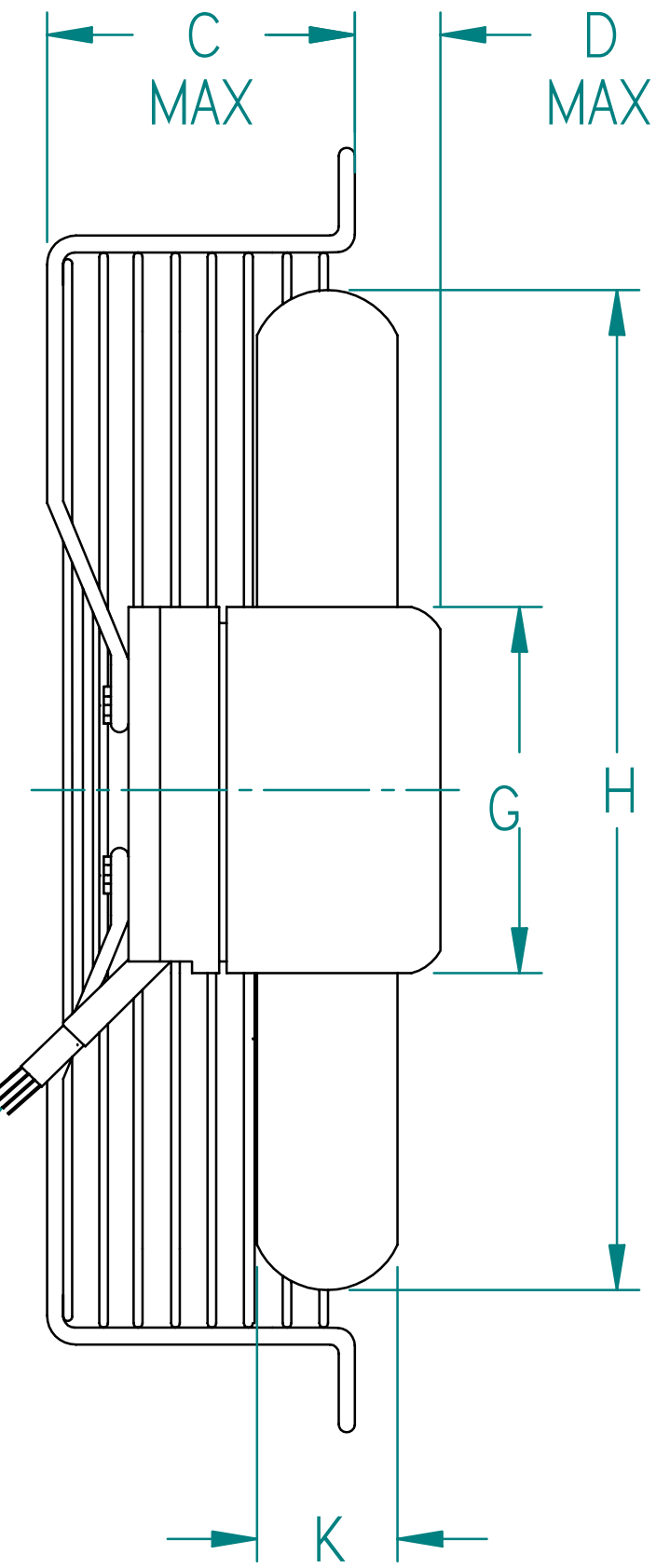
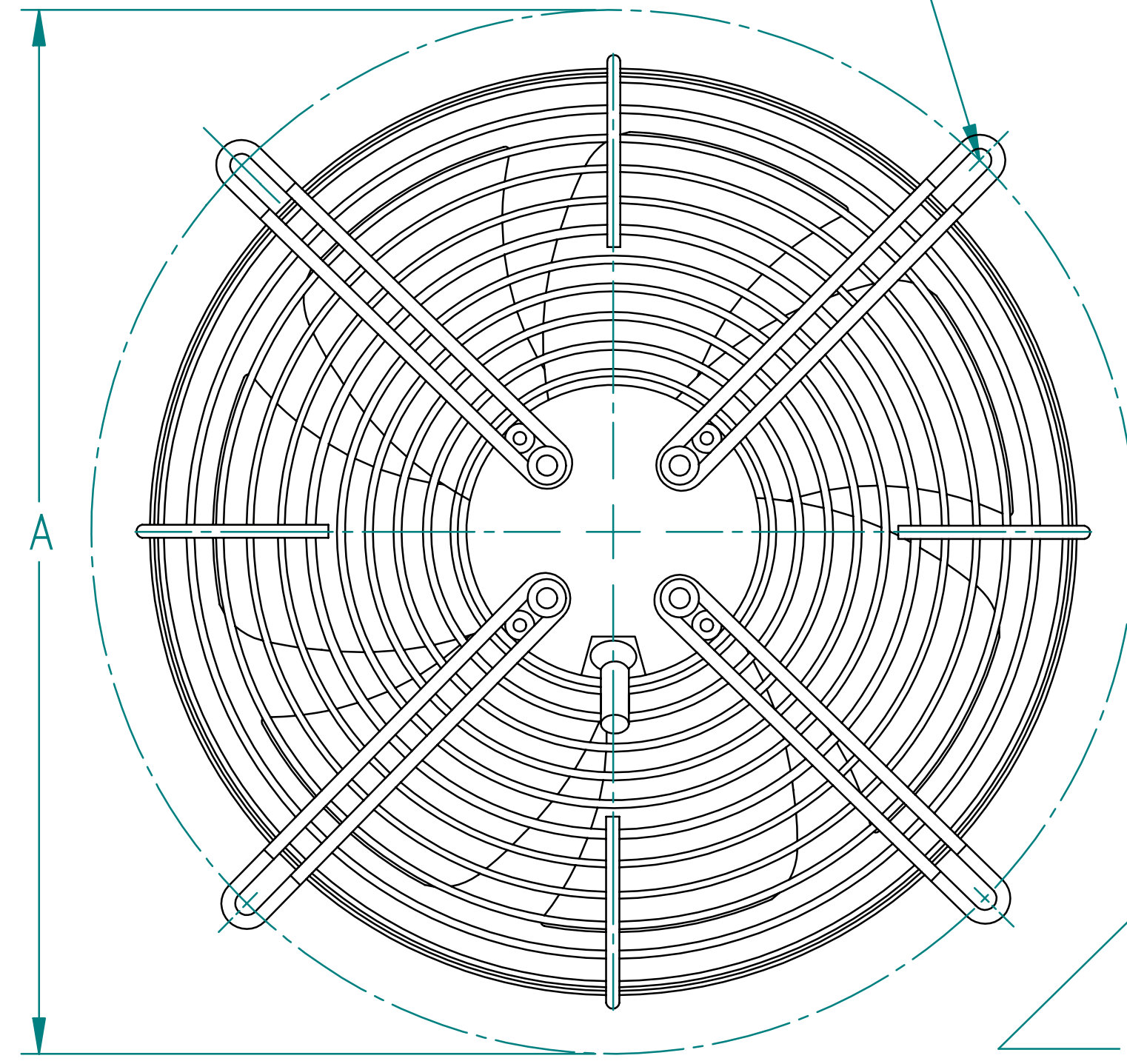


ROTATION

4 X M DIAMETER MOUNTING HOLES EQUALLY SPACED ABOUT GUARD

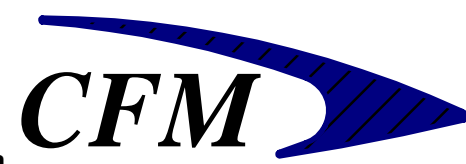


MOTOR WIRING DIAGRAM

DIMENSIONS (IN INCHES)

MODEL	A	C	D	G	H	K	L	M
DXG200-2DC	10.2	2.6	1.2	3.6	7.9	1.4	17.7	0.3
DXG250-2DC	12.7	3.0	0.8	3.6	9.8	1.4	17.7	0.3
DXG300-2DC	14.2	3.1	1.6	3.6	11.8	2.6	17.7	0.3

DIMENSIONS SUBJECT TO CHANGE WITHOUT NOTICE. DRAWING NOT TO BE USED FOR CONSTRUCTION.

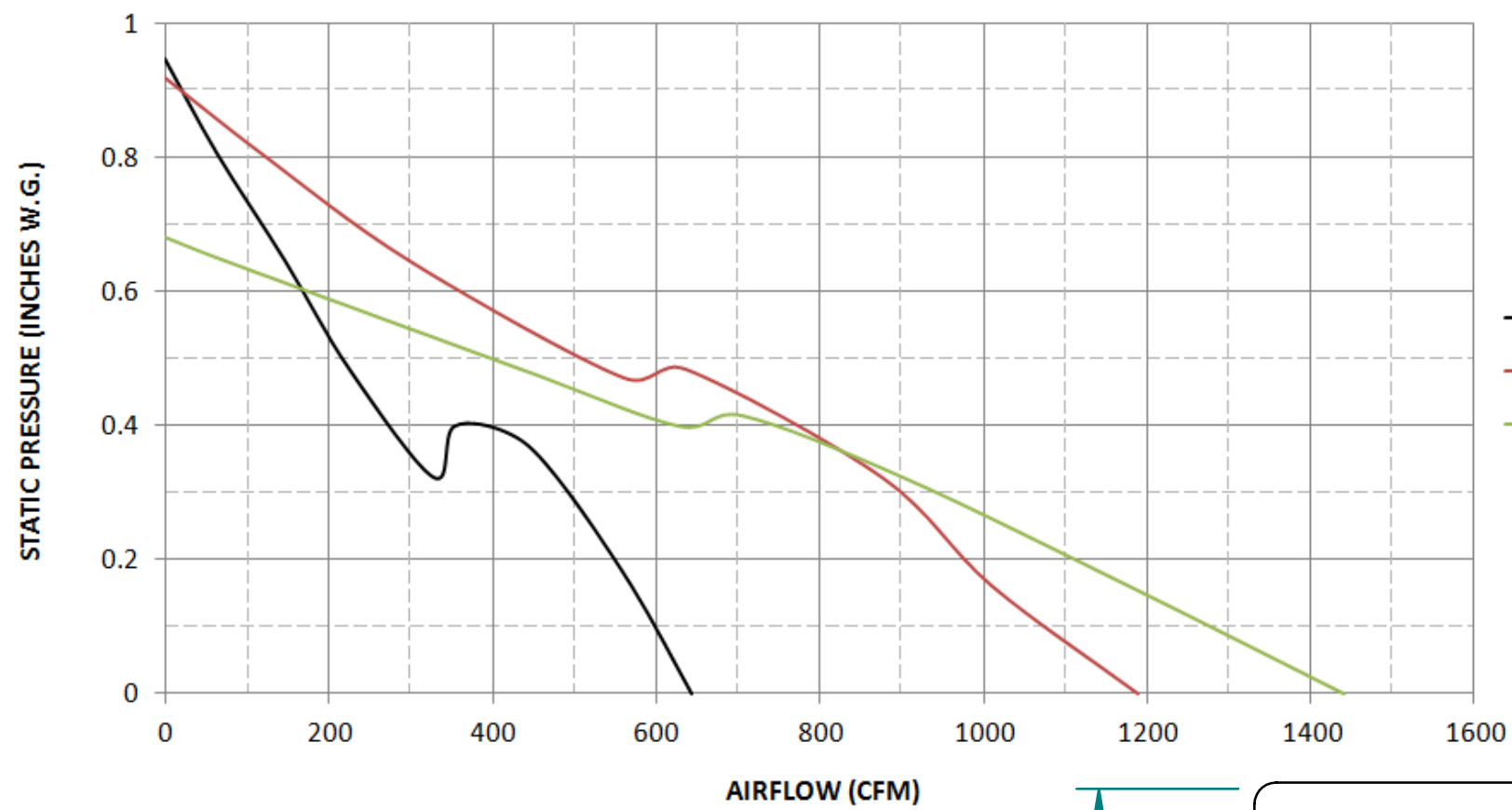


Better Airflow By Design

MOTORIZED AXIAL DC GUARD FAN

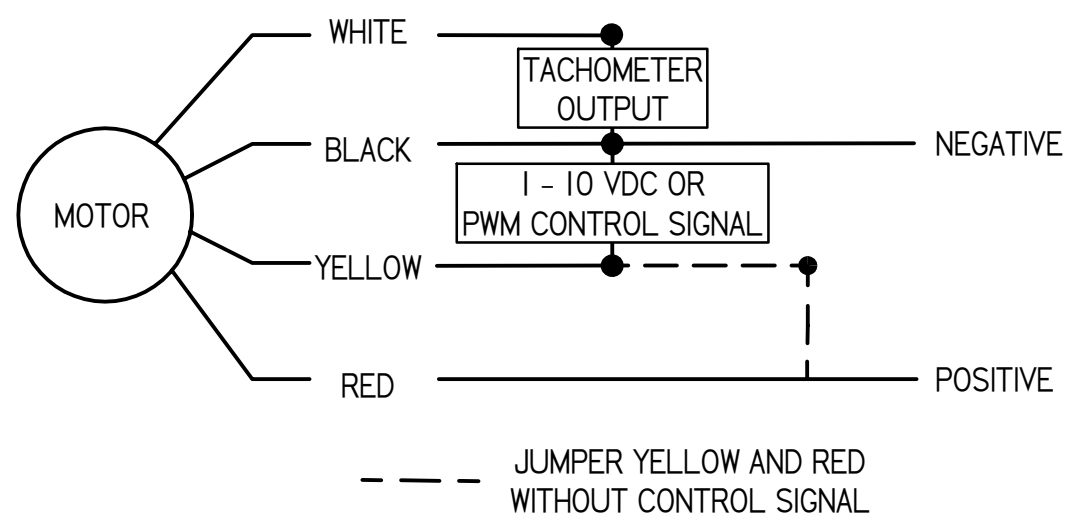
DXG-DC GENERAL SUBMITTAL

01	18 MAR. 2015	JME					
REV.	DATE	BY	J. M. EVANS	1 DEC. 2014	DXG-DC General Submittal.dft		

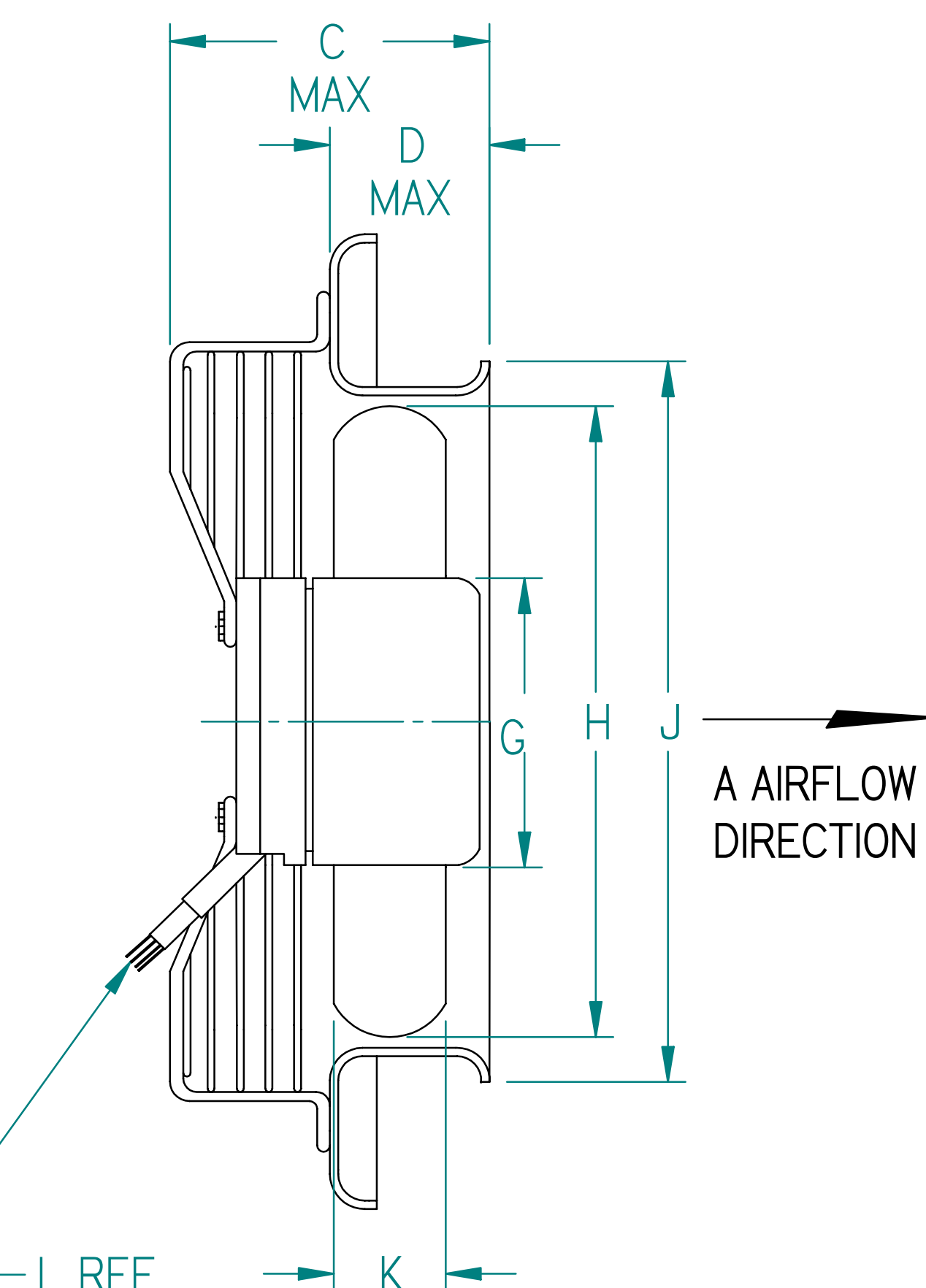
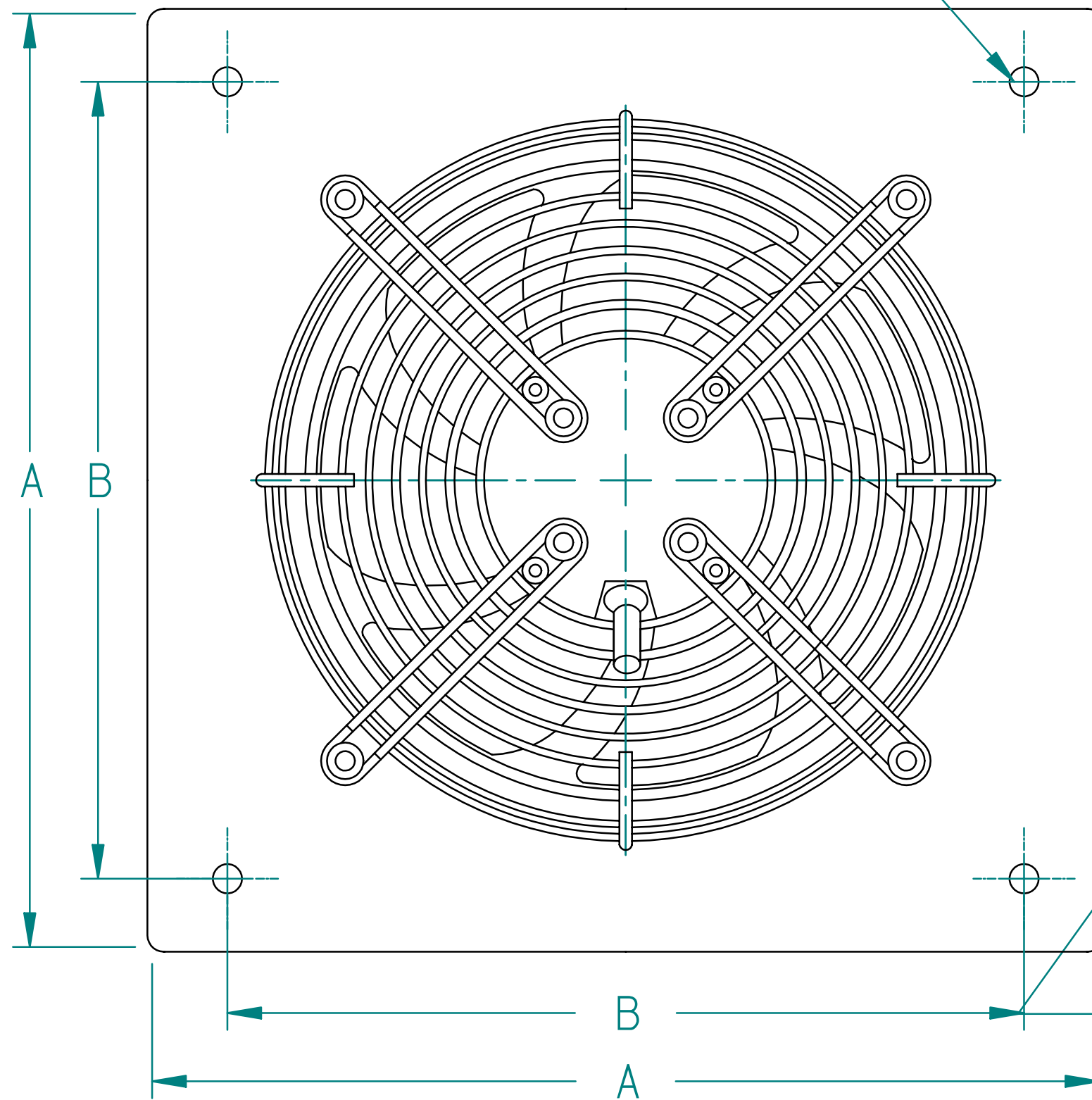


M DIAMETER
4 MOUNTING HOLES

ROTATION



MOTOR WIRING DIAGRAM



DIMENSIONS (IN INCHES)

MODEL	A	B	C	D	G	H	J	K	L	M
DXP200-2DC	12.2	10.2	3.9	2.0	3.6	7.9	9.1	1.4	17.7	0.3
DXP250-2DC	14.6	12.6	3.2	3.0	3.6	9.8	11.0	1.4	17.7	0.3
DXP300-2DC	16.9	15.0	3.8	3.6	3.6	11.8	14.0	2.6	17.7	0.4

DIMENSIONS SUBJECT TO CHANGE WITHOUT NOTICE.
DRAWING NOT TO BE USED FOR CONSTRUCTION.

		CFM	
		Better Airflow By Design	
		MOTORIZED AXIAL DC PANEL FAN	
		DXP-DC GENERAL SUBMITTAL	
01	18 MAR. 2015	JME	
REV.	DATE	BY	J. M. EVANS I DEC. 2014 DXP-DC General Submittal.dft