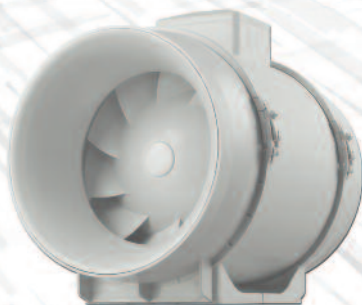
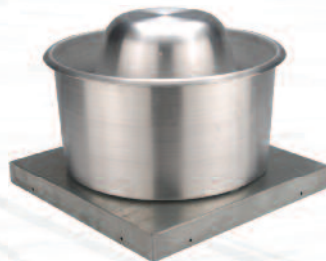


**CFM**<sup>TM</sup>  
CONTINENTAL FAN

# Wholesale Ventilation Products



*... better AIRFLOW by DESIGN!*

# DAMPERS

## IRIS DAMPERS

The IRIS damper is a brilliantly simple solution for fast and exact measurement, balance and control of airflow. It is ideal for supply and exhaust tracking control, individual comfort control, and any space requiring accurate airflow regulation.

### FEATURES & BENEFITS

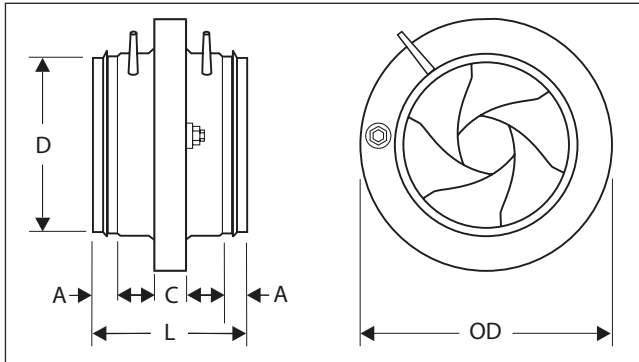
- Precise airflow measurement, reduced field labor time
- Single station measurement and control
- Accurate air balancing to +/- 5% in straight duct
- Compact design, superior performance
- Fitted EPDM gasket for airtight mounting
- Fully retractable blades for duct cleaning
- Ideal for office buildings, pharmaceuticals, clean rooms & laboratories
- Available in 4" to 32" sizes; capacities to 20,000 cfm
- Max operating temperature:
  - o 180 F continuous
  - o 250 F intermittent

### IRIS DAMPER

- Hot dipped galvanized steel construction

### POSITIVE SEAL CONSTRUCTION (OPTIONAL)

Some applications may require a fully closed damper. For those requiring a 100% shutoff, a positive seal option is available on sizes 4" through 12", in both galvanized and stainless steel IRIS dampers.



MODEL	DIMENSIONS IN INCHES					WT (LBS)
	A	C	D	L	OD	
IRIS-04, IRIS-S-04	1.2	0.6	3.9	4.6	6.5	1.1
IRIS-05, IRIS-S-05	1.2	0.6	4.9	4.6	7.4	1.5
IRIS-06, IRIS-S-06	1.2	0.6	5.9	4.6	9.1	2.0
IRIS-08, IRIS-S-08	1.2	0.6	7.8	4.6	11.2	3.1
IRIS-10, IRIS-S-10	1.6	0.7	9.8	5.3	13.2	4.6
IRIS-12, IRIS-S-12	1.6	0.7	11.8	6.1	16.1	7.7
IRIS-16, IRIS-S-16	2.4	0.8	15.7	7.5	20.7	14.1
IRIS-20, IRIS-S-20	2.0	0.8	19.6	6.7	25.8	21.2
IRIS-25, IRIS-S-25	2.0	0.9	24.7	6.7	32.1	34.4
IRIS-32, IRIS-S-32	3.9	0.9	31.4	10.6	40.0	55.1

\*DO NOT USE FOR CONSTRUCTION  
CONSULT FACTORY FOR CERTIFIED PRINTS

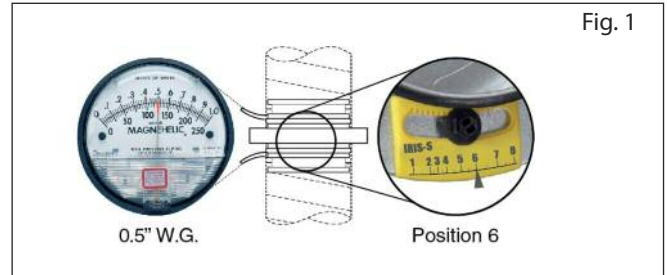


### IRIS-S DAMPER

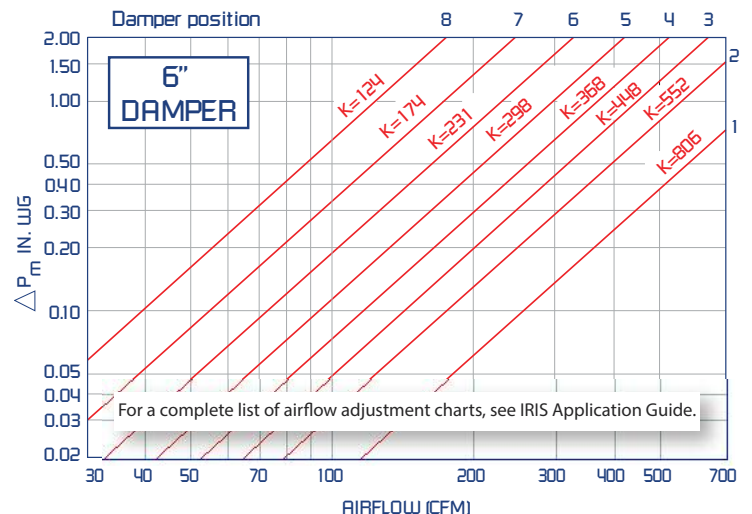
- AISI 316 stainless steel construction
- Prolonged excellence in extreme conditions
- Ideal for corrosive environments

### SIMPLE OPERATION

Using a pressure gauge and a damper's Airflow Adjustment Chart, desired airflow in a duct can be attained by simply turning the damper adjustment nut until the required pressure drop is reached (Fig. 1).



### AIRFLOW ADJUSTMENT CHART (TYPICAL)



## BDD BACKDRAFT DAMPERS

BDD Backdraft Dampers provide an economical solution to troublesome backdrafts. These premium quality backdraft dampers feature aluminum butterfly damper blades and are available in either spring loaded or gravity style designs.

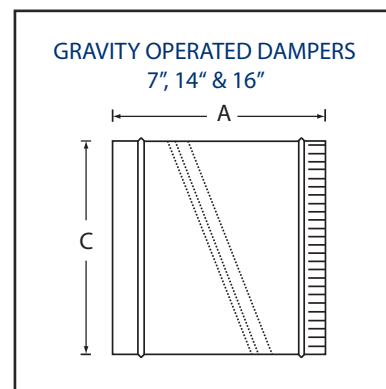
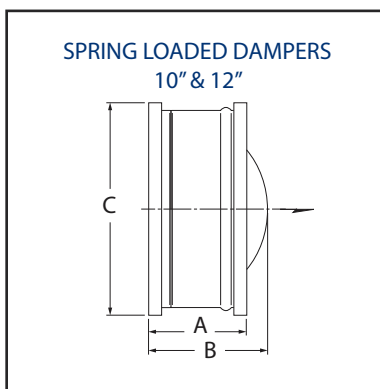
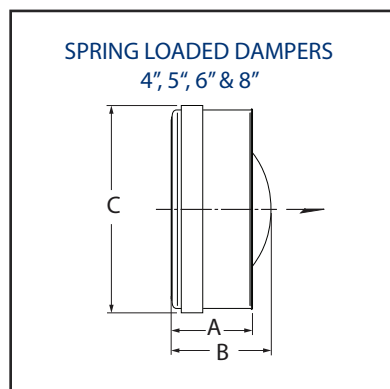
### SPRING LOADED DAMPERS

- Neoprene damper seal to minimize air leakage
- Steel housing, aluminum butterfly damper blades
- Gasket designed to withstand temperatures from -22 F to 180 F
- Requires from 0.04 to 0.08 in. wg pressure to open
- Simple installation in any position - entire assembly inserts into duct
- Exterior foam gasket assures a tight seal against duct
- 4", 5", 6" & 8" sizes include stamped metal sleeve with center pin / post designs
- 10" & 12" sizes include rolled metal sleeve with center post design



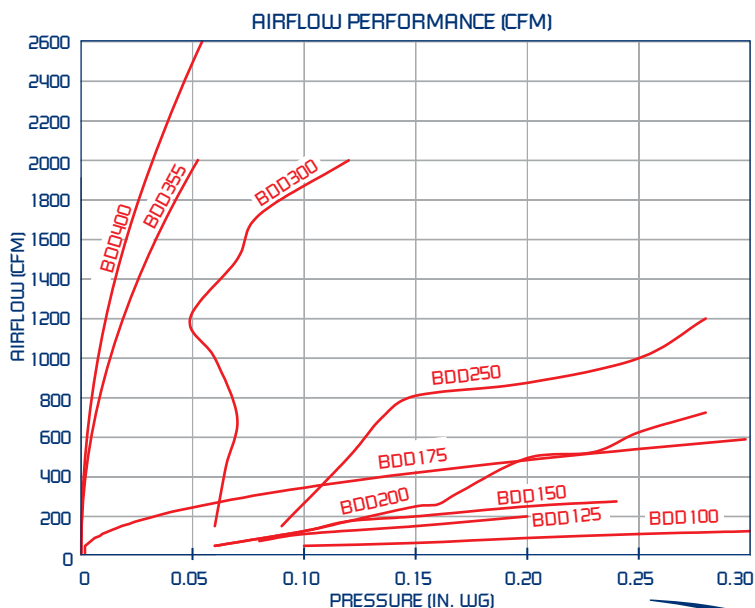
### GRAVITY OPERATED DAMPERS

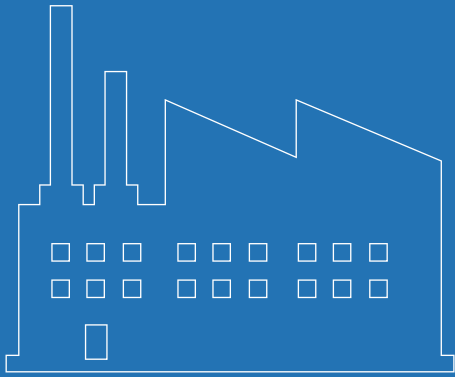
- Low air leakage design
- Galvanized steel housing, aluminum butterfly damper blades
- Gravity operated closure
- Install in horizontal or vertical (upblast only) position
- Suitable for supply or exhaust applications
- Available in 7", 14" & 16" sizes



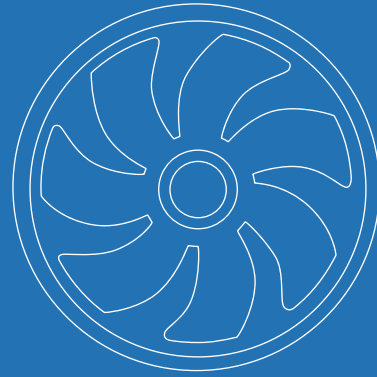
MODEL	DIMENSIONS IN INCHES*			Gauge
	A	B	C (Nominal)	
<b>SPRING LOADED DAMPERS</b>				
BDD100	1.8	2.0	4	20
BDD125	2.0	2.5	5	20
BDD150	2.5	3.0	6	20
BDD200	2.8	3.8	8	20
BDD250	4.8	6.0	10	20
BDD300	6.3	6.8	12	20
<b>GRAVITY OPERATED DAMPERS</b>				
BDD175	7.0	-	7	28
BDD355	12.0	-	14	24
BDD400	14.0	-	16	22

\*DO NOT USE FOR CONSTRUCTION  
CONSULT FACTORY FOR CERTIFIED PRINTS





***Industrial Fans  
& Blowers***



***OEM Solutions  
& Custom Fans***



***Commercial Fans  
& Dampers***



***Residential Fans &  
Air Purifiers***



# Wholesale Ventilation Products

Continental Fan Manufacturing Inc.  
203 Eggert Road  
Buffalo, New York 14215

Continental Fan Canada Inc.  
12-205 Matheson Blvd. E  
Mississauga, Ontario L4Z 3E3

Continental Fan Manufacturing Inc.  
6274 Executive Blvd.  
Dayton, Ohio 45424

1-800-779-4021 • [www.continentalfan.com](http://www.continentalfan.com)

Distributed by:

