



*Years of Proven
Reliability*



*AXC
In-Line Duct Fans*

AXC In-Line Duct Fans

AXC In-Line Duct Fans

Imitation is considered the best form of flattery. Why settle for imitations, when you can have the original? AXC fans have been there from the beginning, and continue to silently out-perform.

The quiet and efficient backward-curved impeller is capable of developing significant pressure, and the in-line configuration simplifies installation. The unique motor design, combined with high quality materials and workmanship, results in a truly versatile fan.

Complete with pre-wired 120 Volt power cords, AXC fans are available in sizes from 4" to 14", with airflows ranging from 147 cfm to 1400 cfm.

Design Features

- Pre-wired with 120V power cord
- Quiet, powerful, compact
- Most user-friendly fan in the industry
- Simple installation
- Exclusive mounting brackets included
- 147 cfm to 1400 cfm available
- Fits duct sizes from 4" to 14"
- Fans may be used to supply or exhaust air
- Fans may be mounted in any position
- Speed controllable using optional solid state speed control
- Rugged, heavy gauge, drawn steel housing:
 - ✓ Baked epoxy finish
 - ✓ Corrosion resistant
- Backward-curved fan impeller:
 - ✓ Operates at low sound levels
 - ✓ Overcomes high static pressure
 - ✓ Will not stall or overload motor at low airflow
- External rotor motor design:
 - ✓ Superior motor cooling and durability
 - ✓ Permanently lubricated ball bearing motor
 - ✓ Maintenance-free operation
 - ✓ Automatic reset thermal overload protection
- Five year warranty



Helpful Tips

- AXC fans mount easily and may be installed at any angle.
- Rigid duct has a tendency to echo and magnify fan noise. To minimize sound levels, use flexible insulated duct. (Consult local building codes before selecting duct type).
- To minimize condensation in a duct, use flexible insulated duct when venting warm or moist areas.

AXC In-Line Duct Fans

Performance Data

MODEL	WATTS	RPM	CUBIC FEET PER MINUTE									
			0"SP	0.2"SP	0.4"SP	0.6"SP	0.8"SP	1.0"SP	1.2"SP	1.5"SP	2.0"SP	3.0"SP
AXC100A-C	43.3	2580	147	130	107	82	57	34	11			
AXC100B-C	83.4	2620	150	140	127	112	94	74	53	23		
AXC125A-C	44.4	2520	179	150	121	87	49	14				
AXC125B-C	85.4	2750	183	160	141	122	101	77	51	14		
AXC150A-C	46.8	2390	235	190	148	97	44					
AXC150B-C	89.2	2450	308	260	216	175	139	108	81	47		
AXC200A-C	84.5	2500	368	300	234	184	149	114	70			
AXC200B-C	188	2550	579	520	453	387	329	282	245	206	154	
AXC250-C	198	2470	616	550	488	431	379	330	286	227	143	
AXC300A-C	206	2450	780	700	595	420	330	290	255	210	132	
AXC300B-C	312	2780	970	910	803	680	559	453	367	273	164	
AXC355A-C	334	1360	1325	1150	960	790	660	550	430	238		
AXC355B-C	830	2900	1400	1370	1325	1250	1210	1135	1090	1000	880	675

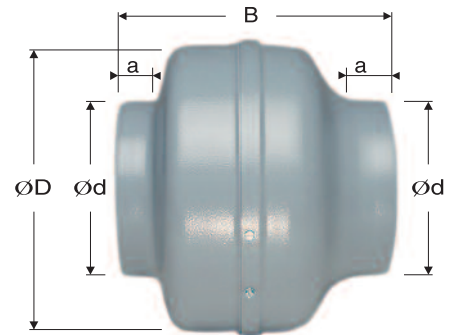
Dimensional Data

MODEL	D (in.)	d (in.)	a (in.)	B (in.)	SHIP WT (lbs)
AXC100A-C	9.5	3.9	1.0	8.3	7.5
AXC100B-C	9.5	3.9	1.0	8.3	8.0
AXC125A-C	9.5	4.8	1.0	8.3	7.5
AXC125B-C	9.5	4.8	1.0	8.3	7.5
AXC150A-C	9.5	5.8	1.0	8.3	7.5
AXC150B-C	13.2	5.8	1.0	9.1	12.5
AXC200A-C	13.2	7.8	1.0	9.1	12.0
AXC200B-C	13.2	7.8	1.0	9.1	15.0
AXC250-C	13.2	9.8	1.0	9.1	15.0
AXC300A-C	15.9	11.8	1.2	11.8	18.0
AXC300B-C	15.9	11.8	1.2	11.8	18.0
AXC355A-C	19.0	14.0	1.5	15.7	35.5
AXC355B-C	19.0	14.0	1.5	15.7	41.0

To calculate fan requirements:

$$\frac{\text{Cubic feet of room} \times \text{required air changes/hour}}{60 \text{ minutes/hour}} = \text{Minimum cfm}$$

e.g. Room size 20 x 20 x 9 = 3600 cu. ft.
 Required air changes/hour = 6
 Minimum cfm required = (3600 x 6) ÷ 60 = 360 cfm



Available Accessories

A full range of accessories is available to suit each application. Visit continental-fan.com to view all available accessories.



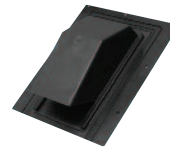
Speed Control



Digital Timer



Pressure Switches



Roof Caps



Wall Caps



Supply & Exhaust Grilles



Backdraft Dampers



Mounting Clamps



Sound Attenuator

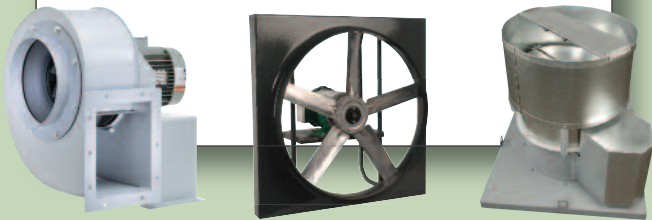


Flexible Duct



Industrial Fans & Blowers

Centrifugal Blowers | Axial Fans
 Panel & Flange Fans
 Roof Ventilators | Fiberglass Fans



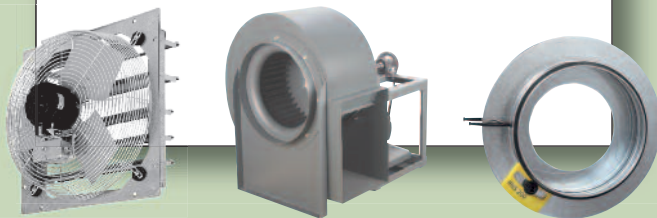
OEM Solutions & Custom Fans

Motorized Axials | Motorized Centrifugals
 OEM Impellers
 Cabinet Cooling | Plenum & Plug Fans



Commercial Fans & Dampers

Wall Fans | Utility Fans
 Cabinet & Exhaust Fans
 Roof Fans | BDD & IRIS Dampers



Residential Fans & Air Purification Systems

Bathroom Fans | In-line Duct Fans
 External Mount Duct Fans
 Dryer Boosting | Air Purification



www.continentalfan.com

—better AIRFLOW by DESIGN™

USA - Continental Fan Manufacturing Inc.
 203 Eggert Road, Buffalo, NY 14215
 T: 716-842-0670 • 1-800-779-4021 • F: 716-842-0611

Canada - Continental Fan Canada Inc.
 12-205 Matheson Blvd E, Mississauga, ON L4Z 3E3
 T: 905-890-6192 • 1-800-779-4021 • F: 905-890-6193

AXC IN-LINE DUCT FANS



AXC-HYDRO-1207