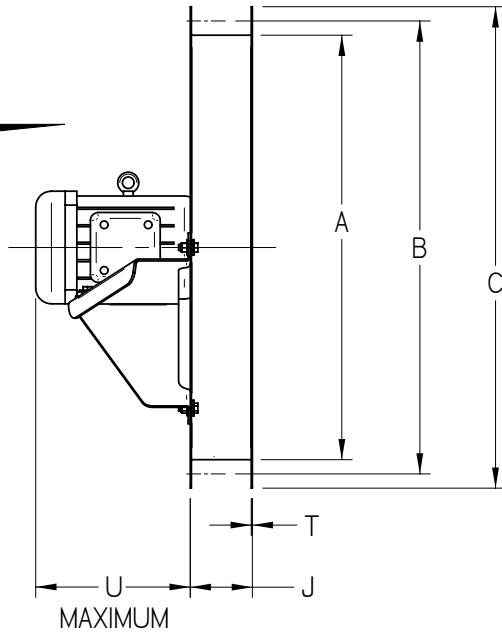
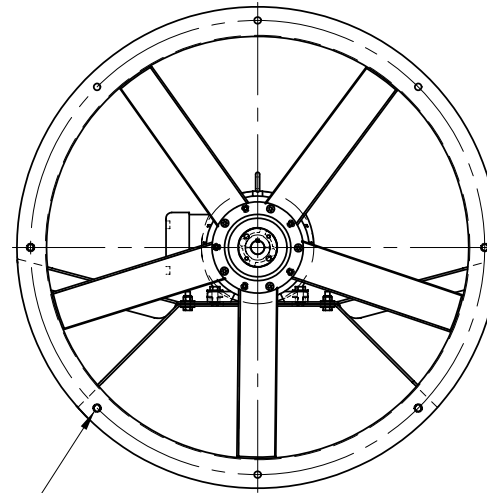


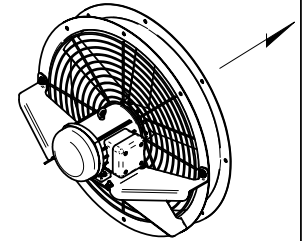
STANDARD
AIRFLOW
DIRECTION



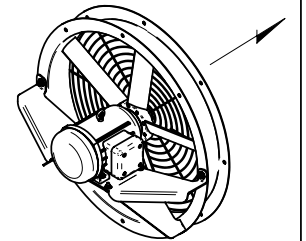
STANDARD
ROTATION



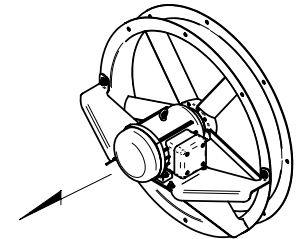
H DIAMETER 8 HOLES EQUALLY SPACED ON
CENTRE LINES ABOUT B BOLT CIRCLE DIA.



OPTIONAL MOTOR SIDE GUARD



OPTIONAL PROP SIDE GUARD



OPTIONAL REVERSE FLOW CONFIG.

SIZE	DIMENSIONS IN INCHES							Max. Motor
	A	B	C	H	J	T	U Max.	Frame
*12	12.18	13.75	15.0	0.4375	3.00	0.060	11.50	143/5T
*14	14.18	16.25	17.5	0.4375	3.00	0.060	11.50	143/5T
16	16.18	18.00	19.5	0.4375	4.00	0.075	11.50	143/5T
18	18.18	20.75	22.0	0.4375	4.00	0.075	11.50	143/5T
21	21.18	23.25	24.5	0.4375	4.00	0.075	11.50	143/5T
24	24.18	26.25	27.5	0.4375	4.00	0.075	11.50	143/5T
27	27.18	29.25	31.0	0.4375	4.00	0.075	13.25	182/4T
30	30.18	32.63	34.5	0.4375	4.00	0.105	16.50	213/5T
32	32.18	34.38	36.5	0.4375	4.00	0.105	16.50	213/5T
36	36.18	38.38	40.5	0.4375	5.00	0.105	16.50	213/5T
42	42.18	44.63	46.5	0.4375	5.00	0.105	21.50	254/6T

NOTE: SIZE 12 & SIZE 14 REQUIRE C-FACE MOTOR. SEE SIZE SPECIFIC PRODUCT DRAWING FOR CONSTRUCTION.
DRAWING SHOWS STANDARD 5 BLADE PROPELLER. OTHER SELECTIONS AVAILABLE TO MEET SPECIFIC PERFORMANCE.

DIMENSIONS SUBJECT TO CHANGE WITHOUT NOTICE. DRAWING NOT TO BE USED FOR CONSTRUCTION.

		CFM Better Airflow By Design	
		DIRECT DRIVE FLANGE FAN	
		AFK000-00	CUSTOMER OUTLINE
01	13 JUNE 2005	JEE	
REV	DATE	BY	J. E. EVANS 14 DEC 2004 AFK000-00-100 Submittal.dft