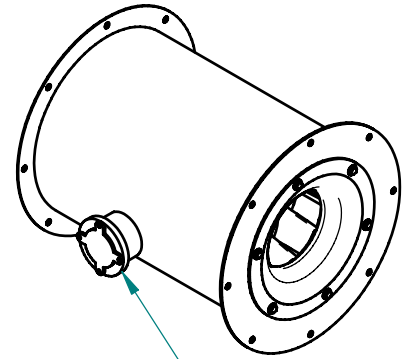
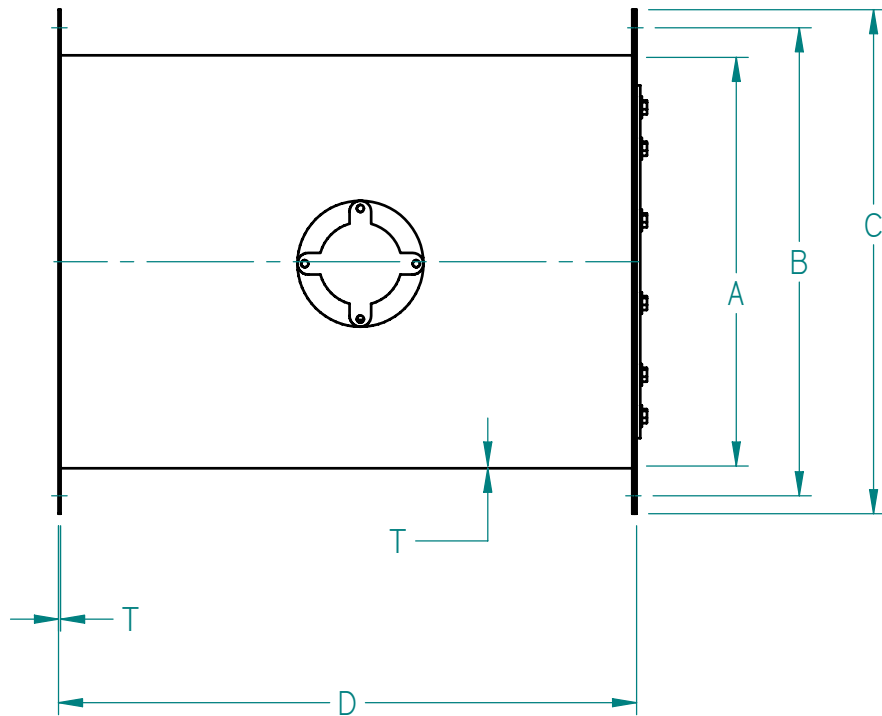
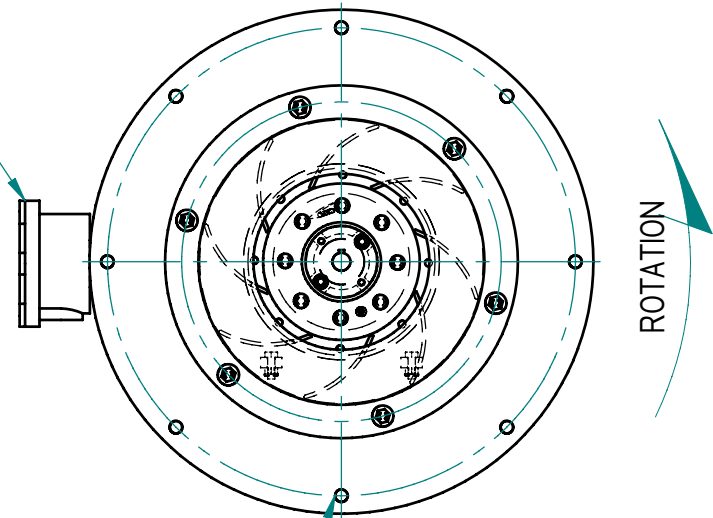


SIZE	A	B	C	D	T
TID200	12.19	13.75	15.00	18	0.075
TID225	14.19	16.25	17.50	20	0.075
TID250	14.19	16.25	17.50	20	0.075
TID280	16.19	18.00	19.50	21	0.075
TID315	18.19	20.75	22.00	24	0.105
TID355	21.19	23.25	24.50	26	0.105
TID400	24.19	26.25	27.50	29	0.105
TID450	24.19	26.25	27.50	29	0.105

**AIR FLOW
DIRECTION**

OPTIONAL
EXTERNAL ELECTRICAL JUNCTION BOX
LOCATION MAY VARY DUE TO SPACE LIMITATIONS



7/16 DIAMETER 8 HOLES
EQUALLY SPACED ABOUT
'B' BOLT CIRCLE DIA.

DIMENSIONS SUBJECT TO CHANGE WITHOUT NOTICE.
DRAWING NOT TO BE USED FOR CONSTRUCTION.

		CFM	
		Better Airflow By Design	
		TID INLINE CENTRIFUGAL	
		CUSTOMER SUBMITTAL OUTLINE	
05	02 DEC. 2010	JEE	
04	06 JULY 2007	JEE	
03	02 MAY 2005	JEE	
REV	DATE	BY	J. E. EVANS DATE 02 MAR. 2000
			TID 000-00-100