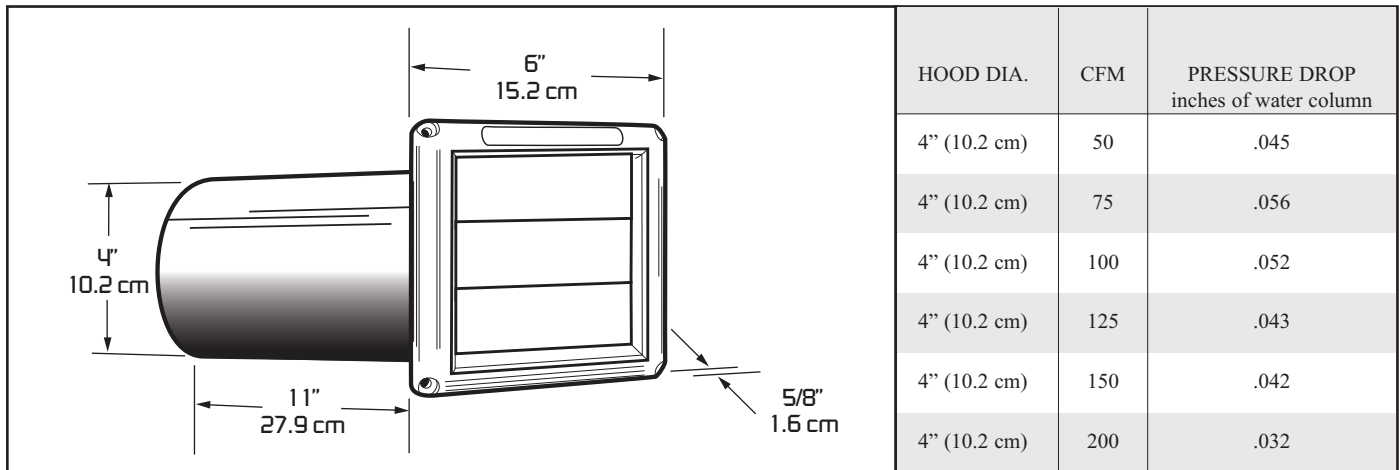


## MODEL: LS100-4W LOUVERED SHUTTER

The LS100-4W louvered shutter is designed for plastic molded vent hoods.



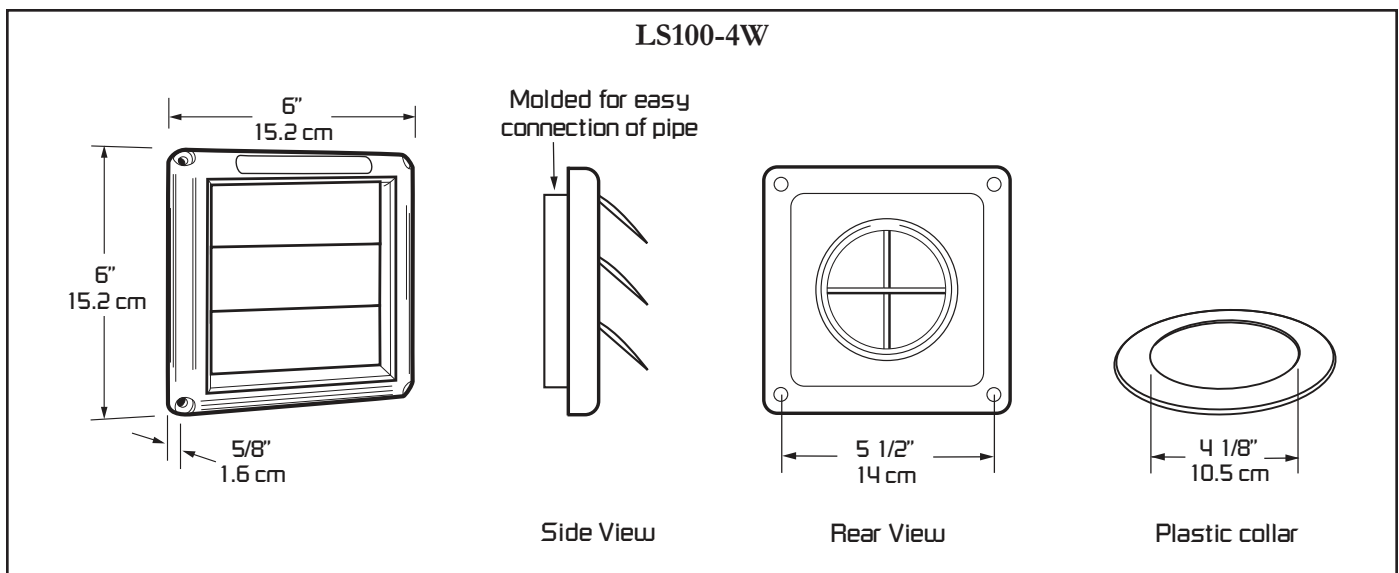
## FEATURES & BENEFITS

- 4" diameter opening
- Easy to install
- Louvered construction prevents wind & rain from entering the vent
- Weather resistant
- Curved louvers for quiet operation

## CONSTRUCTION

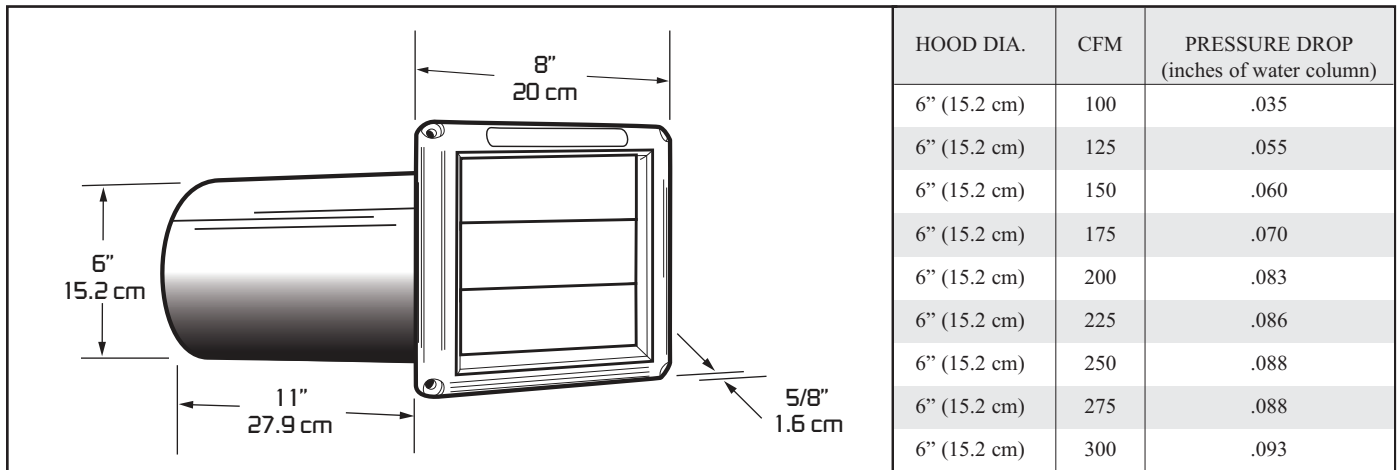
- Hood
  - Calcium filled polypropylene
  - Melting point: 325 F (163 C)
  - UV inhibitor added
- Aluminum pipe
- High impact styrene collar

## INSTALLATION



## MODEL: LS150-6W LOUVERED SHUTTER

The LS150-6W louvered shutter is designed for plastic molded vent hoods.



### FEATURES & BENEFITS

- 6" diameter opening
- Easy to install
- Louvered construction prevents wind & rain from entering the vent
- Weather resistant
- Curved louvers for quiet operation

### CONSTRUCTION

- Hood
  - Calcium filled polypropylene
  - Melting point: 325 F (163 C)
  - UV inhibitor added
- Aluminum pipe

### INSTALLATION

