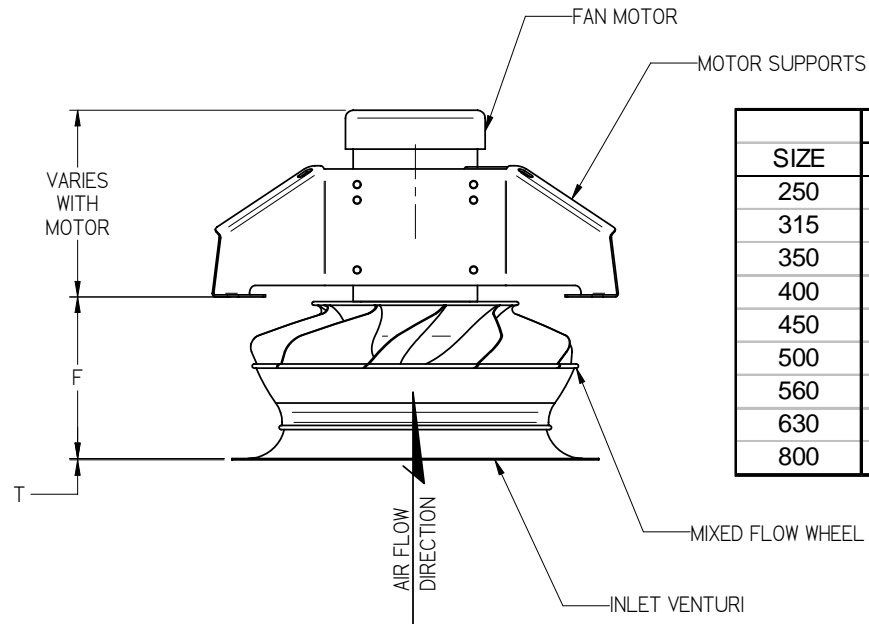
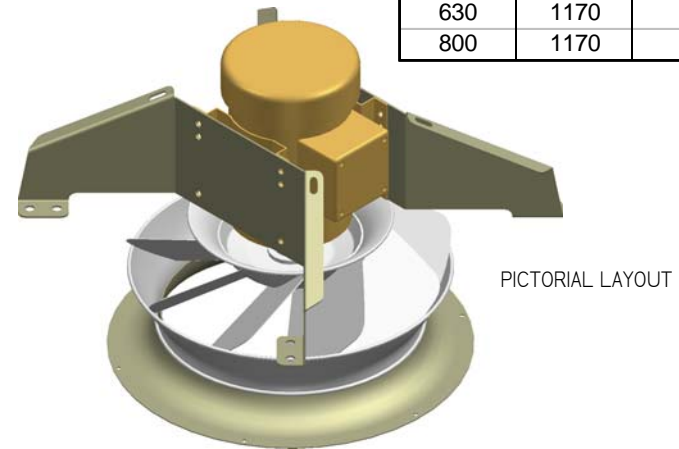


MOTOR CHART			
FAN SIZE	RPM	HP	FRAME
250	3450	1	L56
315	3450	3	L56
350	1750	1	143T
400	1750	1.5	145T
450	1750	2	145T
500	1750	2	145T
560	1750	5	184T
630	1170	5	215T
800	1170	10	256T



SIZE	DIMENSIONS IN INCHES										
	A	B	C	D	F	G	H	K	L	M	T
250	14.75	-	15.5	-	5.25	11.60	0.375	4	0.625	4	0.060
315	23.7	21.2	23.7	21.2	7.88	14.17	0.250	4	0.625	8	0.065
350	14.75	-	15.5	-	7.50	16.25	0.438	8	0.625	4	0.065
400	14.75	-	15.5	-	8.00	18.25	0.438	8	0.625	4	0.075
450	23.7	21.2	23.7	21.2	9.80	20.00	0.375	8	0.625	8	0.075
500	23.7	21.2	23.7	21.2	10.4	23.00	0.375	8	0.625	8	0.075
560	23.7	21.2	23.7	21.2	11.5	25.25	0.375	8	0.625	8	0.075
630	23.7	21.2	31.6	29.1	13.3	28.70	0.375	8	0.625	8	0.075
800	32.5	30.1	32.5	30.1	16.8	36.60	0.625	8	0.625	8	0.075

DIMENSIONS SUBJECT TO CHANGE WITHOUT NOTICE  
DRAWING NOT TO BE USED FOR CONSTRUCTION

		<b>CFM</b> Better Airflow By Design	
		MNC COOLING FAN	
		MNC CUSTOMER OUTLINE PRINT	
02 01	09 MAY 2005 20 JUNE 2003	JEE JEE	
REV	DATE	BY	J. E. EVANS 14 MAY 2003 MNC000-00-100 Submittal.dft