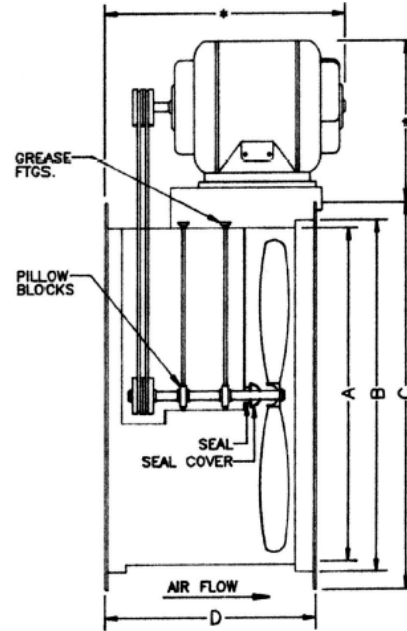



(8) 7/16" DIA. HOLES PER FLANGE



* - DIM., VARIES WITH MOTOR

Model Size	A	B	C	D
AIB-12	12	13 1/8	14	18
AIB-15	15	16 1/8	17	18
AIB-18	18	19 1/8	20	18
AIB-24	24	25 3/4	27	18
AIB-27	27	28 3/4	30	18
AIB-30	30	31 3/4	33	18
AIB-34	34	35 3/4	37	18
AIB-36	36	37 7/8	39	18
AIB-42	42	43 9/16	45	22
AIB-48	48	49 5/8	51	24
AIB-54	54	55 5/8	57	28
AIB-60	60	61 5/8	63	30

		CONTINENTAL FAN MFG. INC. 	
		Better Airflow By Design	
		TITLE: AIB BELT DRIVE TUBEAXIAL	
	25-MAY-2007	JWA	PART # AIB-01
REV.	DATE	BY	DATE
		JWA	24-MAY-2005
		AIB-01.dft	