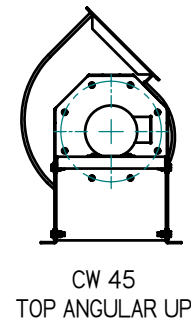
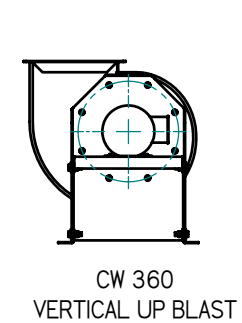
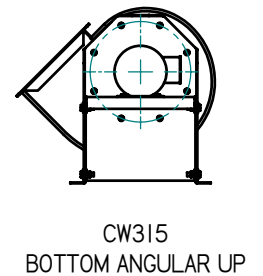
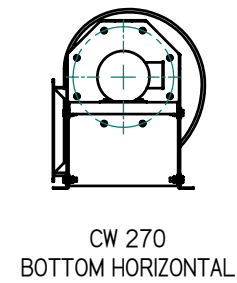
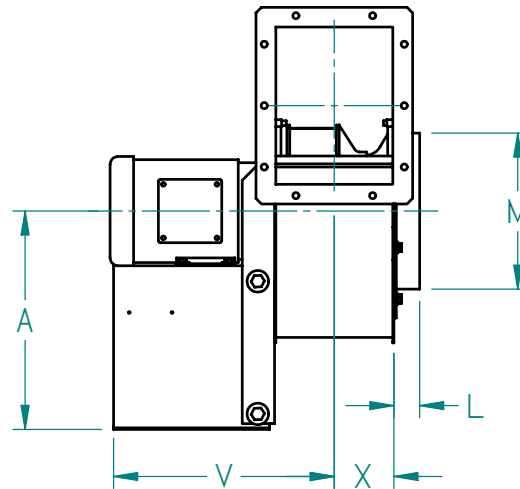
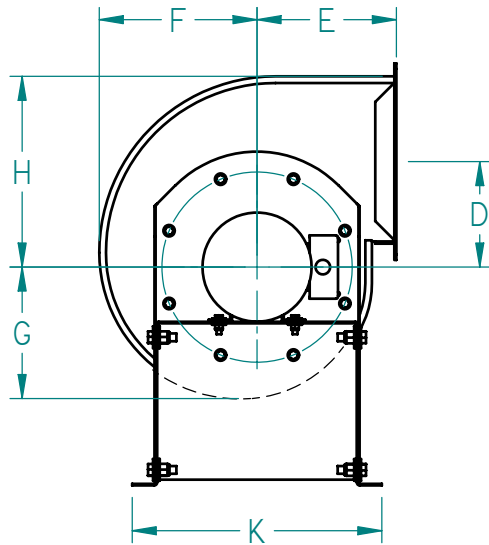
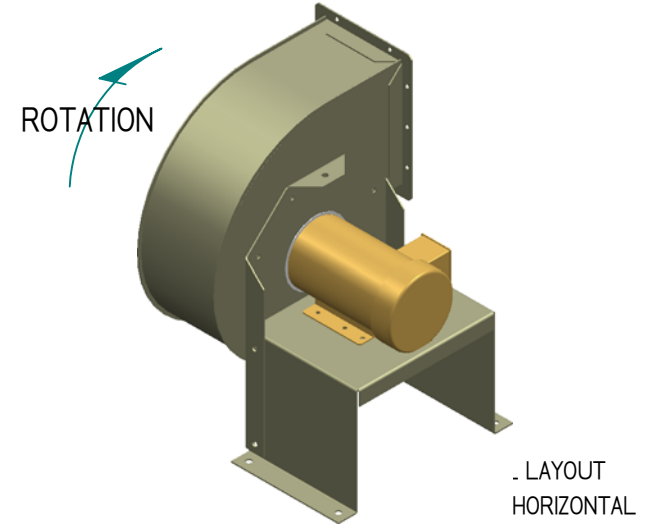



FLANGED OUTLET STANDARD



DIMENSIONS IN INCHES

SIZE	A	B	C	D	E	F	G	H	J	K	L	M	N	P	R	S	T	V	W	X
200	10.5	7.09	9.45	4.72	6.81	7.20	6.14	8.62	11.5	13.0	1.5	7.00	5.31	7.68	5.5	4.03	4.31	11.1	0.50	2.81
225	11.5	7.87	10.2	5.59	7.48	8.27	6.89	9.88	12.5	14.0	1.5	8.00	6.10	8.46	5.5	4.44	4.70	12.9	0.50	3.20
250	12.5	8.66	11.0	6.38	8.15	9.09	7.60	10.88	13.5	15.0	1.5	9.00	6.89	9.25	5.5	4.87	5.09	13.3	0.50	3.59
280	14.0	10.2	12.6	6.69	8.94	10.1	8.50	12.2	14.5	16.0	1.5	10.0	7.68	10.0	8.0	5.15	5.53	13.7	0.50	4.03
315	15.5	11.8	14.2	7.56	9.80	11.3	9.61	13.8	17.5	19.5	2.0	12.0	8.46	10.8	10.0	5.62	6.59	16.1	0.63	4.59
355	17.5	13.4	15.8	8.35	10.7	12.6	10.6	15.4	19.0	21.0	2.0	14.0	9.45	11.8	12.0	6.50	7.08	17.25	0.63	5.08
400	19.5	15.2	18.3	9.25	11.8	14.1	11.9	17.2	21.0	23.0	2.0	16.0	10.6	13.8	12.0	7.08	7.67	20.33	0.63	5.67
450	21.5	16.9	20.1	10.5	13.2	16.0	13.3	19.3	23.0	25.0	2.0	18.0	11.8	15.0	12.0	7.68	8.27	20.93	0.63	6.27

DIMENSIONS SUBJECT TO CHANGE WITHOUT NOTICE.
DRAWING NOT TO BE USED FOR CONSTRUCTION.

02 01	15 MAR 2011 02 MAY 2007	JEE JEE	 Better Airflow By Design DIRECT DRIVE CENTRIFUGAL BLOWER GENERAL OUTLINE SUBMITTAL	