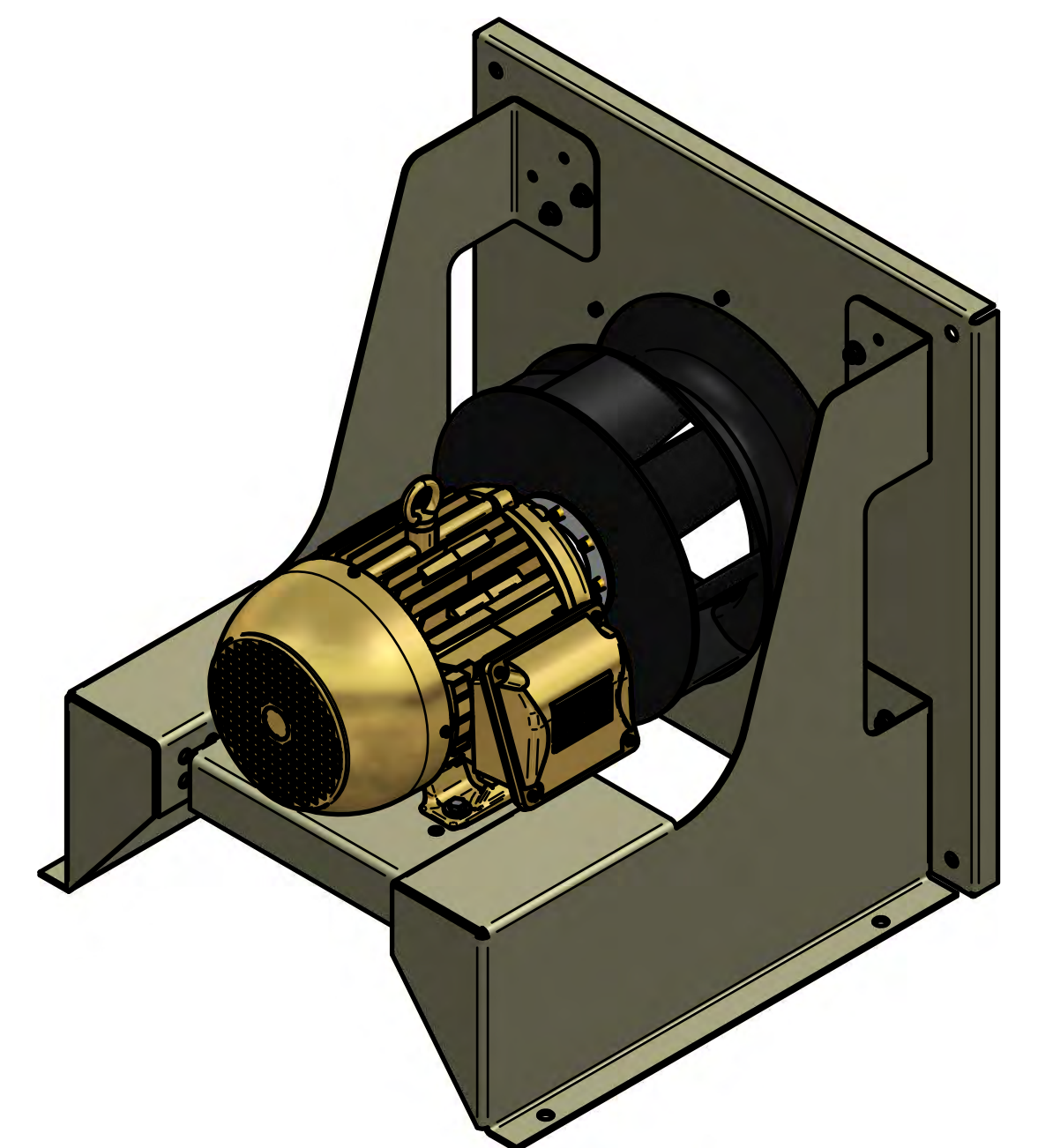
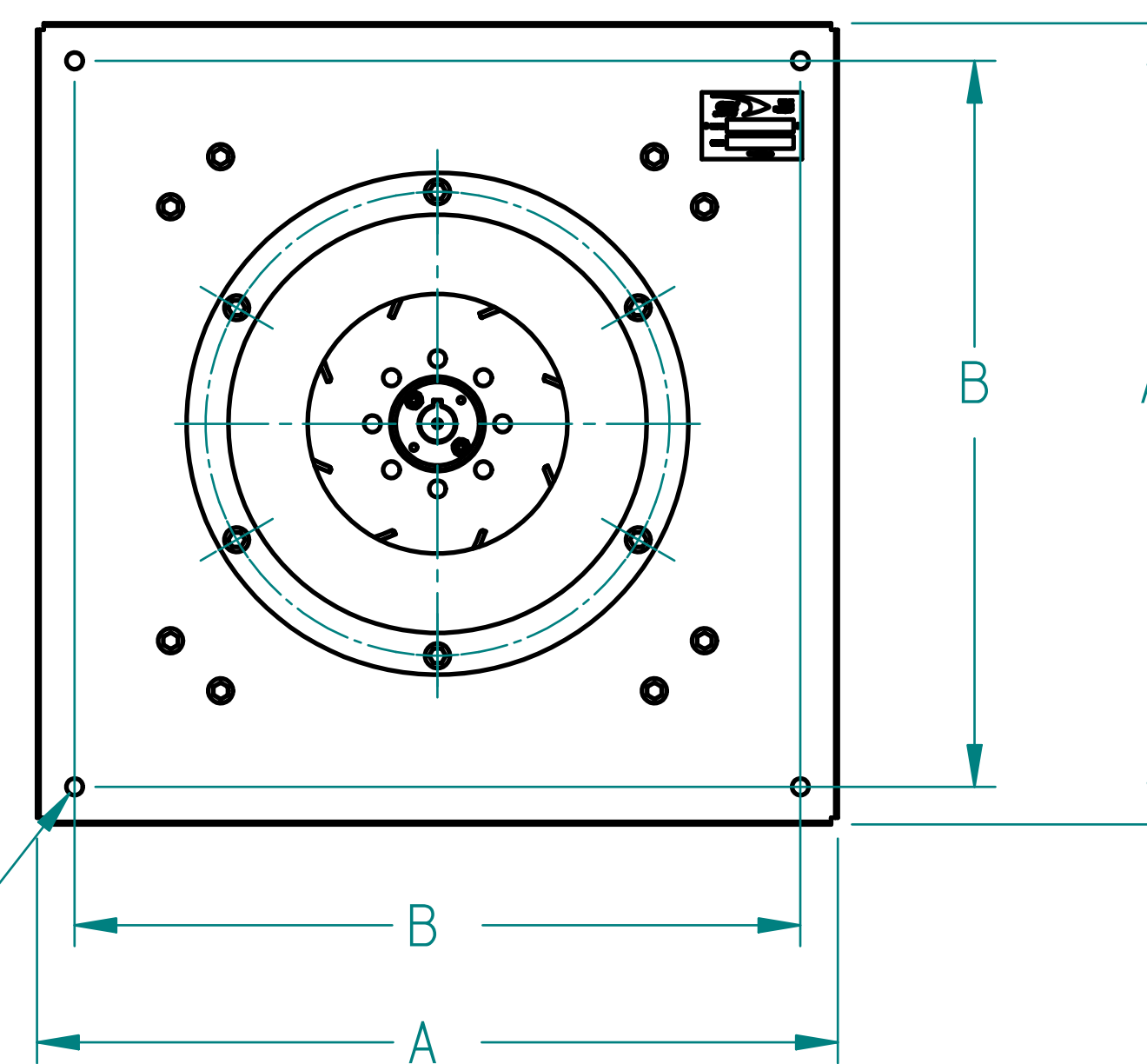
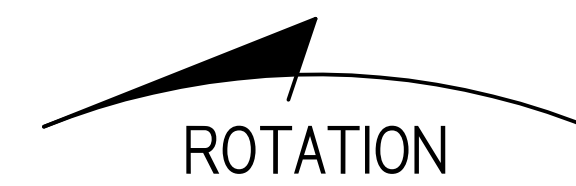
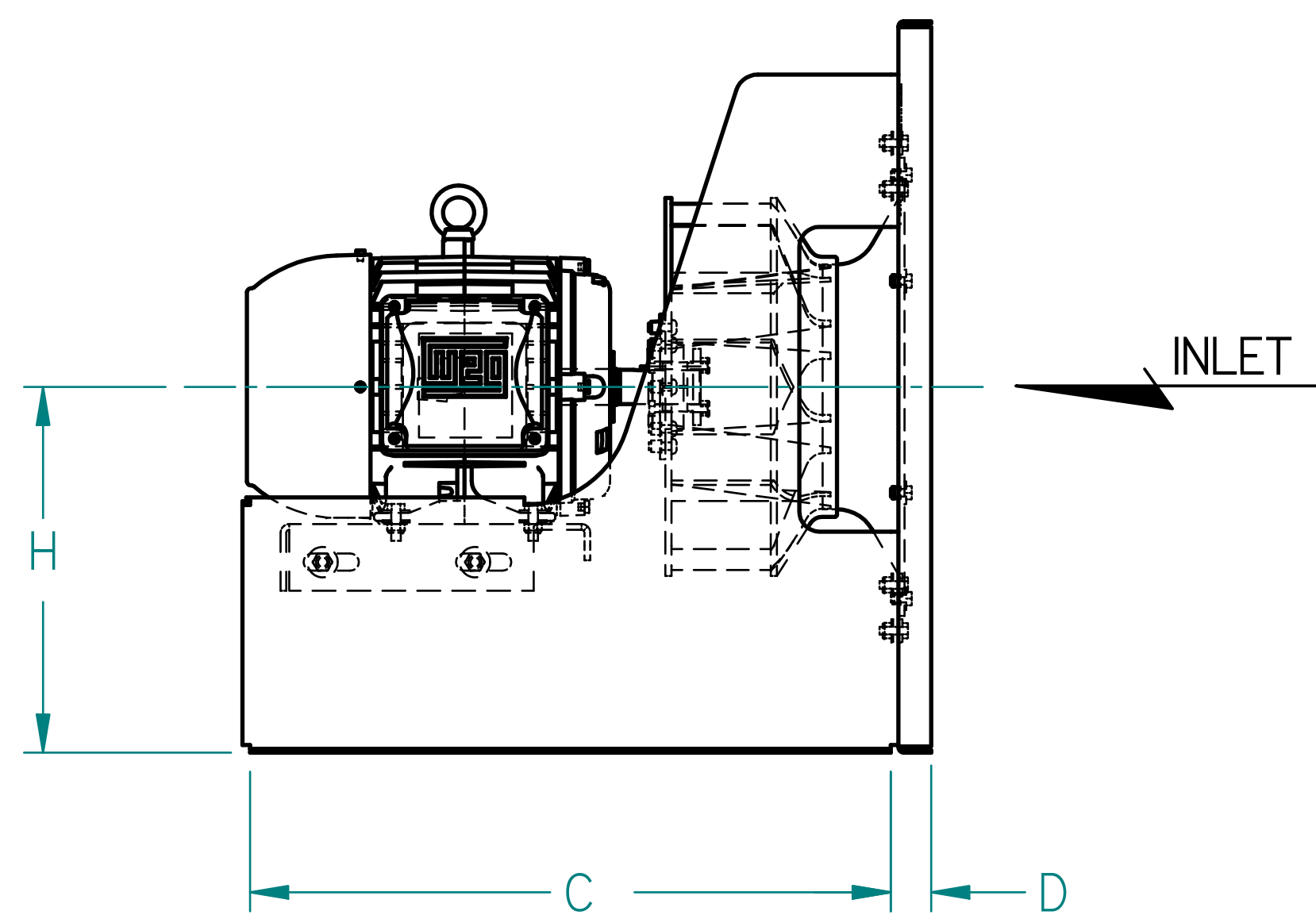


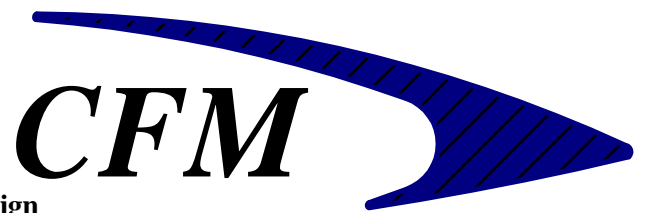
VIEW ON INLET SIDE



VIEW ON OUTLET SIDE

MODEL NUMBER	DIMENSION ( INCHES )											
	A	B	C	D	E	F	G	H	K	L	M	N
TEK225H	20.00	17.75	19.27	1.08	18.38	8.56	11.00	10.00	14.00	3.25	0.50	0.50
TEK250H	20.00	17.75	19.27	1.08	18.38	8.56	11.00	10.00	14.00	3.25	0.50	0.50
TEK280H	20.00	17.75	19.27	1.08	18.38	8.56	11.00	10.00	14.00	3.25	0.50	0.50
TEK315H	24.00	21.75	21.52	1.08	22.75	10.75	11.00	12.00	16.00	3.25	0.50	0.50
TEK355H	24.00	21.75	21.52	1.08	22.75	10.75	11.00	12.00	16.00	3.25	0.50	0.50
TEK400H	28.00	25.75	24.00	1.08	26.75	12.50	11.00	14.00	18.00	4.00	0.50	0.50
TEK450H	28.00	25.75	24.00	1.08	26.75	12.50	11.00	14.00	18.00	4.00	0.50	0.50

DIMENSIONS SUBJECT TO CHANGE WITHOUT NOTICE.  
DRAWING NOT TO BE USED FOR CONSTRUCTION.

		 Better Airflow By Design	
		HORIZONTAL MOUNT PLENUM FAN TEK000H-General Submittal	
REV	DATE	BY	J. E. EVANS   20 AUG 2015   TEK000H-GENERAL SUBMITTAL