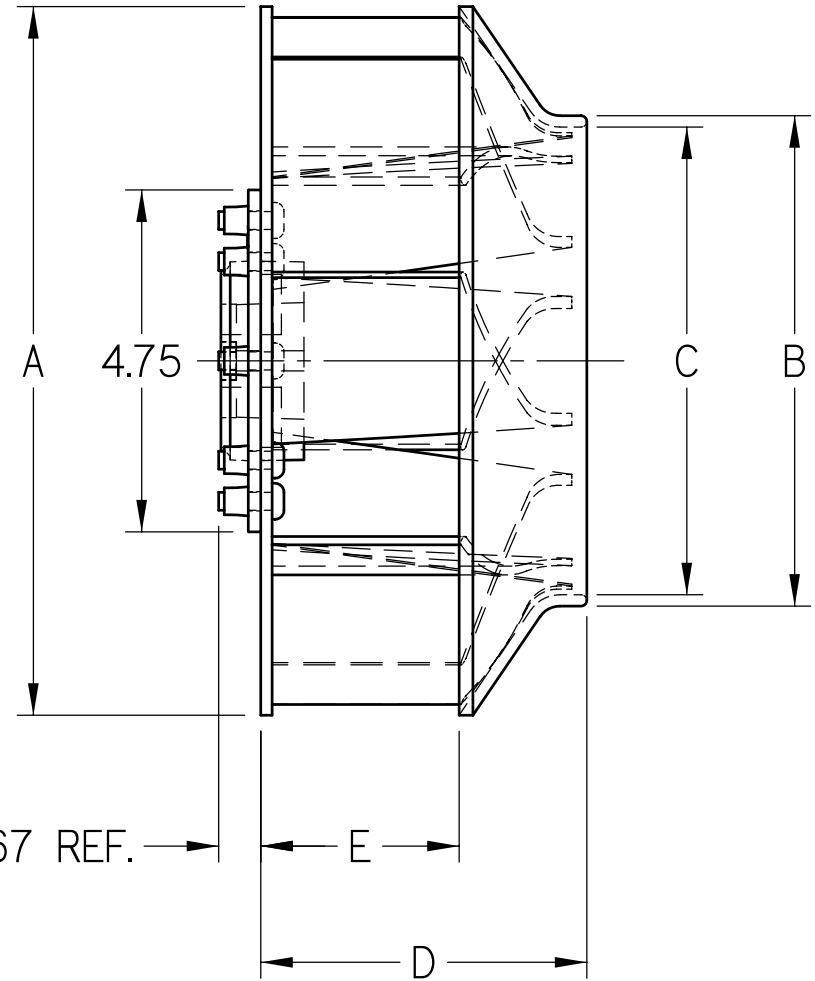
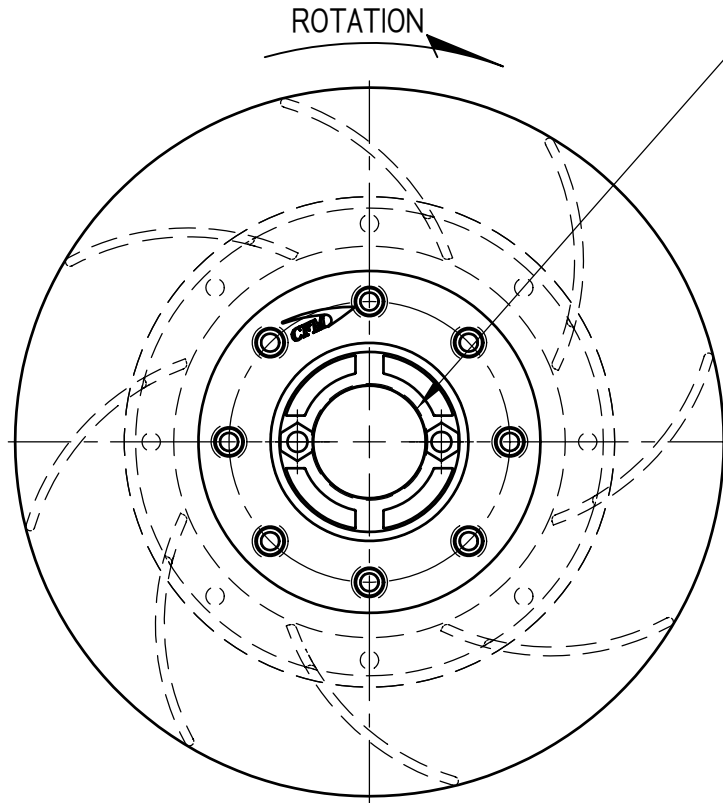


NOTE:
 CLOCKWISE ROTATION SHOWN
 COUNTER-CLOCKWISE ROTATION AVAILABLE ON LIMITED SIZES.

PROVISION FOR BROWNING
 SPLIT TAPER BUSHING



MODEL NUMBER	DIMENSIONS				
	A	B	C	D	E
T1-TEK180	7.12	4.93	4.65	3.32	2.12
T1-TEK200	7.87	5.48	5.28	3.62	2.32
T1-TEK225	8.82	6.07	5.79	4.10	2.45
T1-TEK250	9.84	6.81	6.50	4.53	2.76
T1-TEK280	11.02	7.58	7.28	5.12	3.17
T1-TEK315	12.40	8.53	8.19	5.63	3.46
T1-TEK355	13.98	9.62	9.23	6.22	3.99
T1-TEK400	15.75	10.63	10.25	6.97	4.41
T1-TEK450	17.72	12.05	11.57	7.87	4.97

		CFM	
		Better Airflow By Design	
		TEK SERIES IMPELLERS	
		CUSTOMER SUBMITTAL OUTLINE	
03	22 MAY 2007	JEE	
02	24 APR 2007	JEE	
01	24 JUNE 2003	JEE	
REV	DATE	BY	J. E. EVANS 30 SEPT. 2002 TEK IMPELLER SUBMITTAL.dft