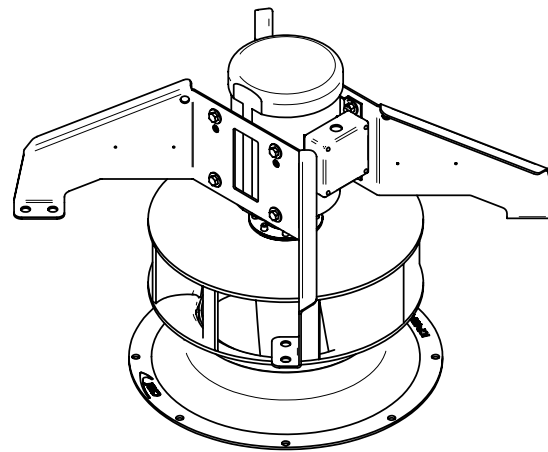
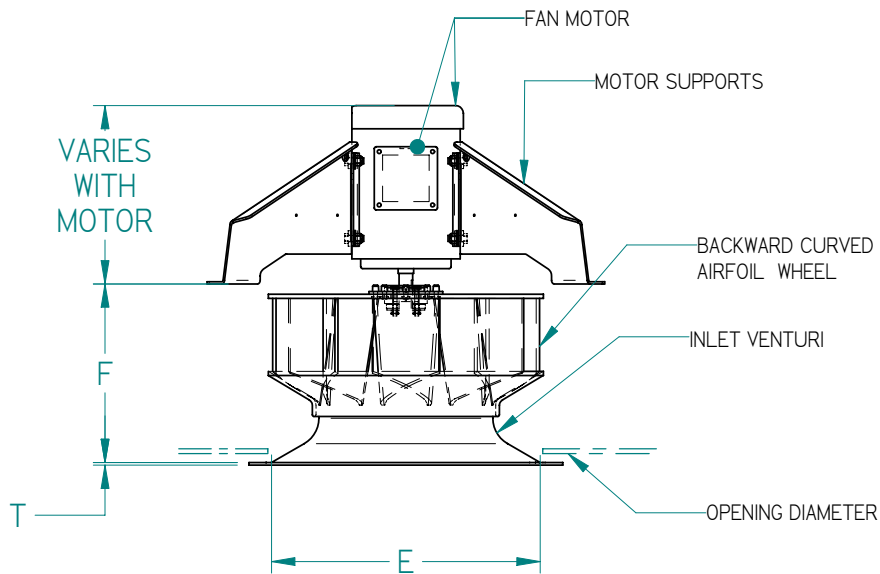


FAN MODEL	DIMENSIONS											
	A	B	C	D	E	F	G	H	K	L	M	T
180-00	14.75	--	15.5	--	7.20	6.5	7.95	0.38	6	0.38	4	0.09
200-00	14.75	--	15.5	--	8.04	7.0	9.12	0.38	6	0.38	4	0.09
225-00	14.75	--	15.5	--	8.94	7.8	10.1	0.38	6	0.38	4	0.09
250-00	14.75	--	15.5	--	10.0	8.5	11.1	0.38	6	0.38	4	0.12
250-01	14.75	--	15.5	--	10.0	8.5	11.1	0.38	6	0.38	4	0.12
280-00	14.75	--	15.5	--	11.2	9.0	12.6	0.38	6	0.38	4	0.12
280-01	14.75	--	15.5	--	11.2	9.0	12.6	0.38	6	0.38	4	0.12
315-00	14.75	--	15.5	--	12.6	9.8	14	0.38	6	0.38	4	0.12
315-01	23.70	21.20	23.70	21.20	14.6	10.5	14	0.50	6	0.62	8	0.12
355-00	14.75	--	15.5	--	14.2	11.0	15.6	0.38	8	0.38	4	0.12
355-01	23.70	21.20	23.70	21.20	14.2	11.5	15.6	0.50	8	0.62	8	0.12
400-00	23.70	21.20	23.70	21.20	16.0	10.6	17.3	0.50	8	0.62	8	0.17
450-00	23.70	21.20	23.70	21.20	17.3	11.5	19.3	0.50	8	0.62	8	0.17



PICTORIAL LAYOUT

MOTOR CHART			
MODEL	RPM	HP	FRAME
180-00	3500	0.25	56L
200-00	3500	0.25	56L
225-00	3500	0.5	56L
250-00	1750	0.25	56L
250-01	3500	0.75	56L
280-00	1750	0.25	56L
280-01	3500	1.5	143T
315-00	1750	0.5	56L
315-01	3500	3	182T
355-00	1750	0.75	56L
355-01	3500	5	184T
400-00	1750	1.5	145T
450-00	1750	2	145T

DIMENSIONS SUBJECT TO CHANGE WITHOUT NOTICE  
DRAWING NOT TO BE USED FOR CONSTRUCTION

		<b>CFM</b> Better Airflow By Design	
		NON-CASED CENTRIFUGAL FAN	
01	15 JUNE 2007	JEE	TNC000-00 SUBMITTAL PRINT
REV	DATE	BY	DATE
		J. E. EVANS	17 JUNE 2003
		TNC000-00-100.dft	