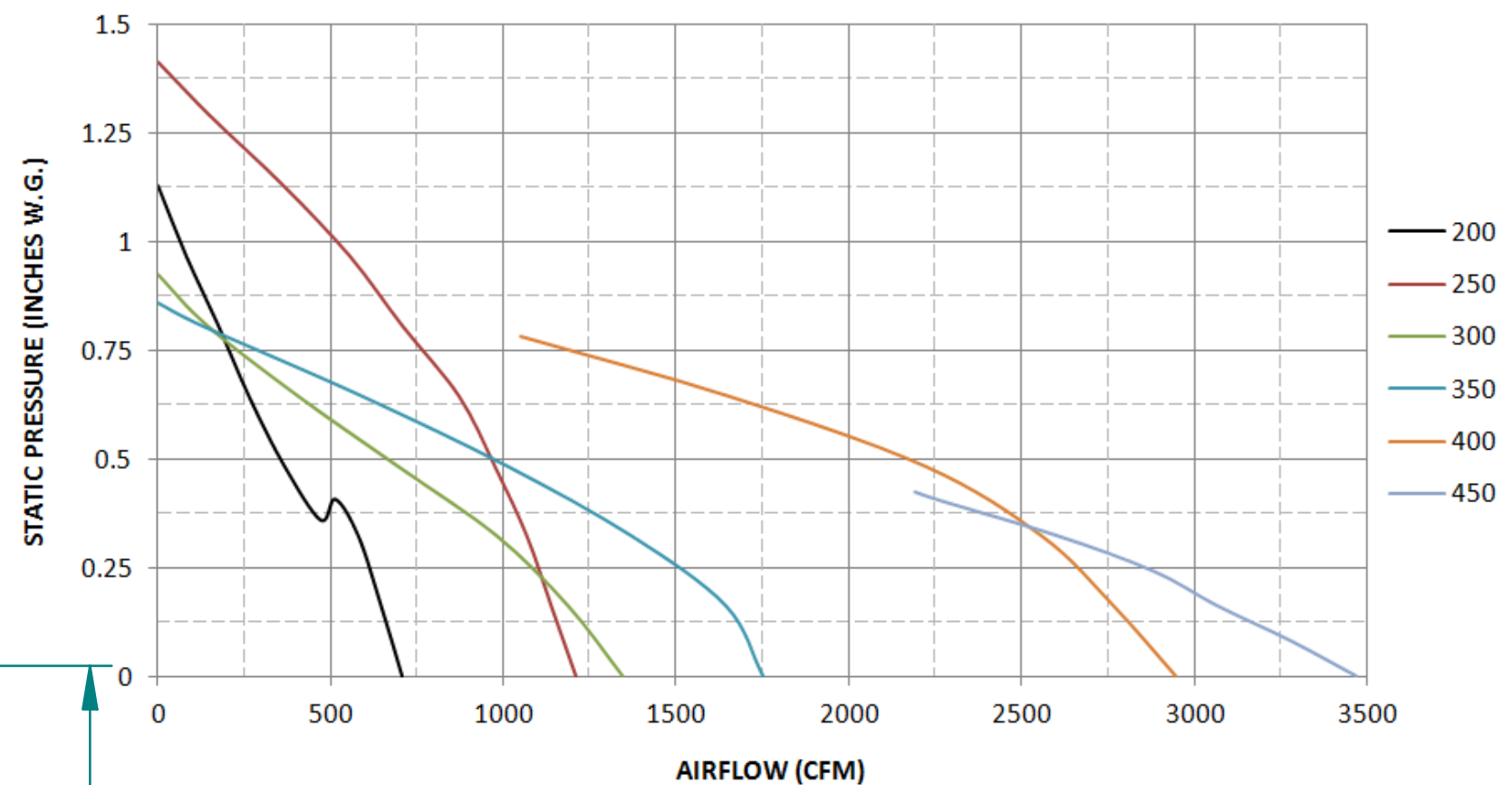
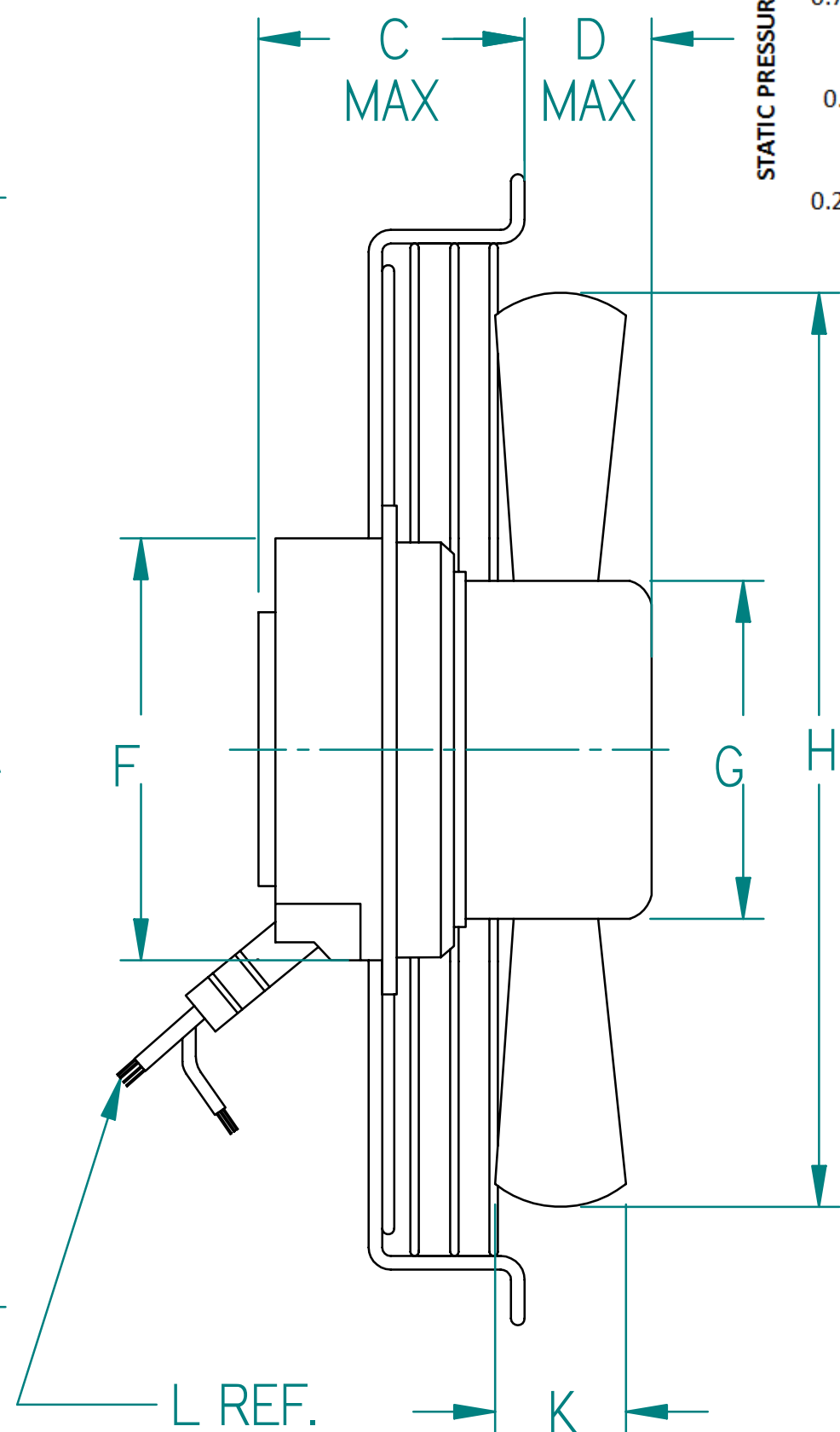
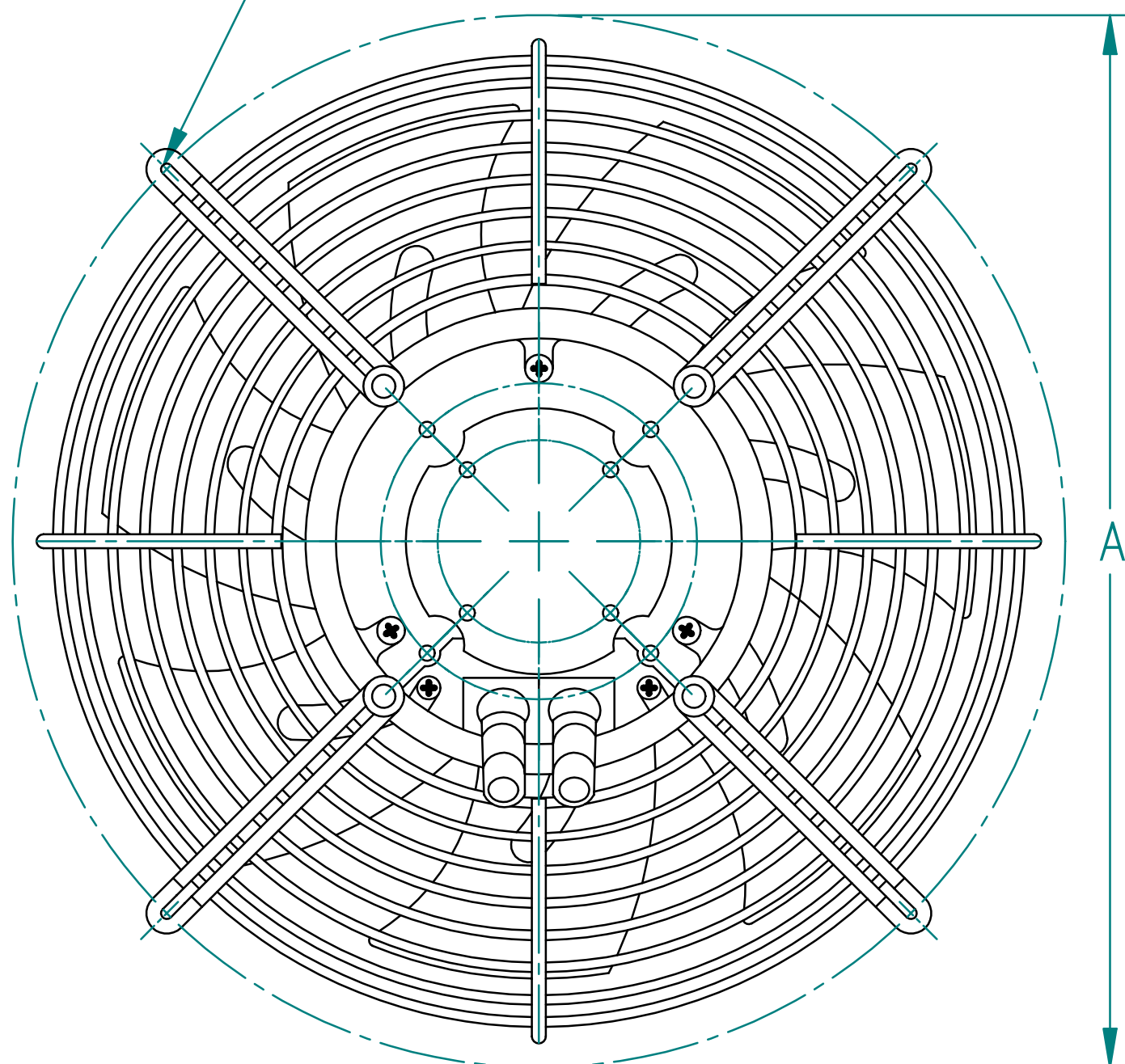
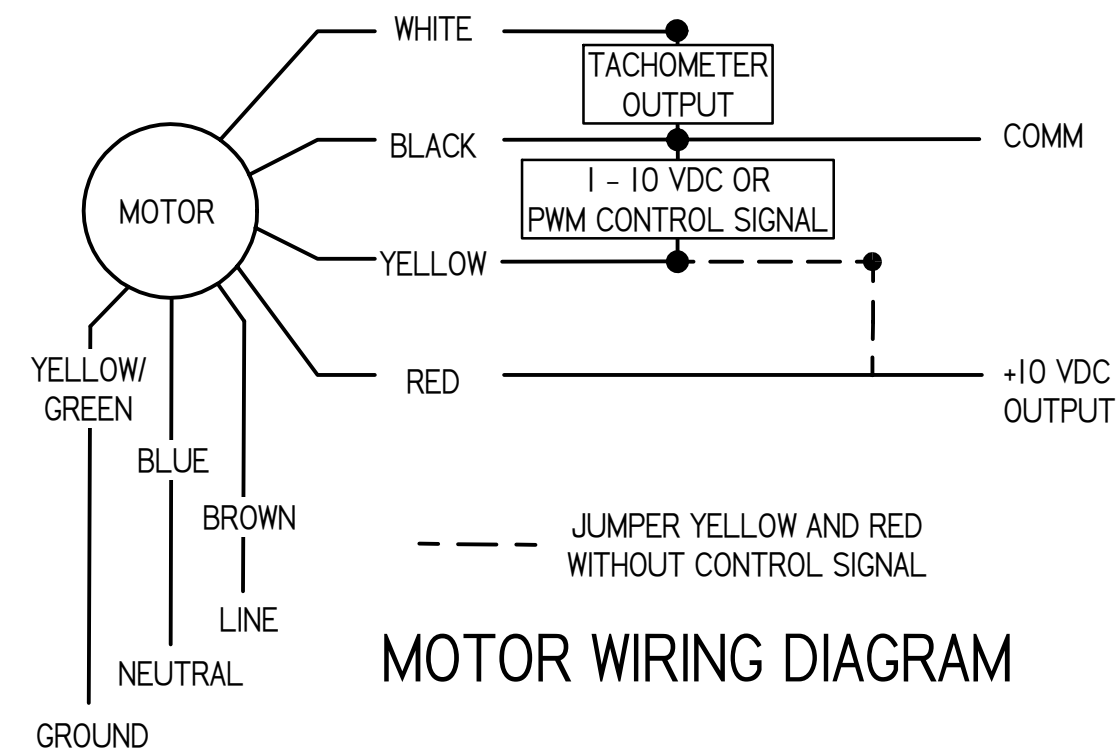


4 X M DIAMETER MOUNTING HOLES  
EQUALLY SPACED ABOUT GUARD

ROTATION



A AIRFLOW  
DIRECTION



DIMENSIONS (IN INCHES)

MODEL	A	C	D	F	G	H	K	L	M
DXG200-2EC-12	10.2	2.9	1.3	4.5	3.6	7.9	1.4	17.7	0.3
DXG250-2EC-12	11.8	2.8	1.3	4.5	3.6	9.8	1.4	17.7	0.3
DXG300-2EC-12	14.2	3.3	1.5	4.5	3.6	11.8	2.6	17.7	0.2
DXG350-2EC-12	16.6	3.5	1.6	4.5	3.6	13.8	3.3	17.7	0.3
DXG400-2EC-12	18.5	3.8	1.9	5.9	4.0	15.7	2.8	39.4	0.4
DXG450-2EC-12	20.6	3.8	2.1	5.9	4.0	17.7	3.7	39.4	0.4

DIMENSIONS SUBJECT TO CHANGE WITHOUT NOTICE.  
DRAWING NOT TO BE USED FOR CONSTRUCTION.

01 18 MAR 2015 JME

REV. DATE BY

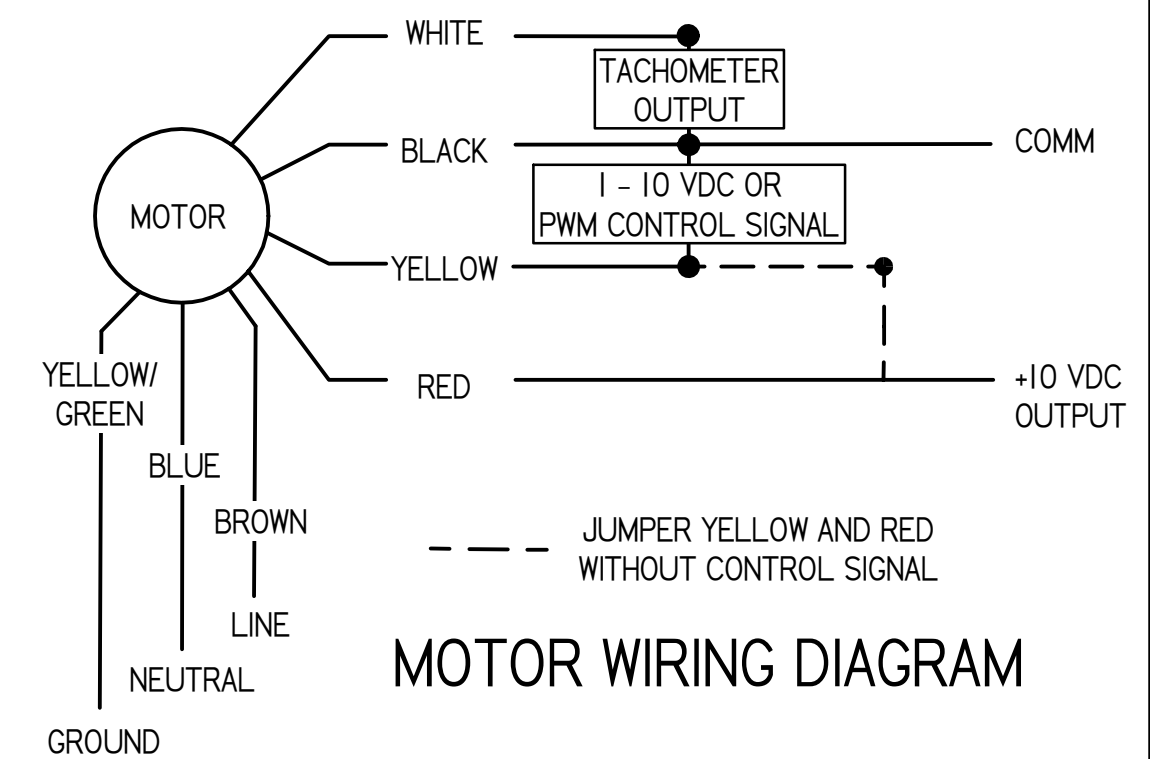
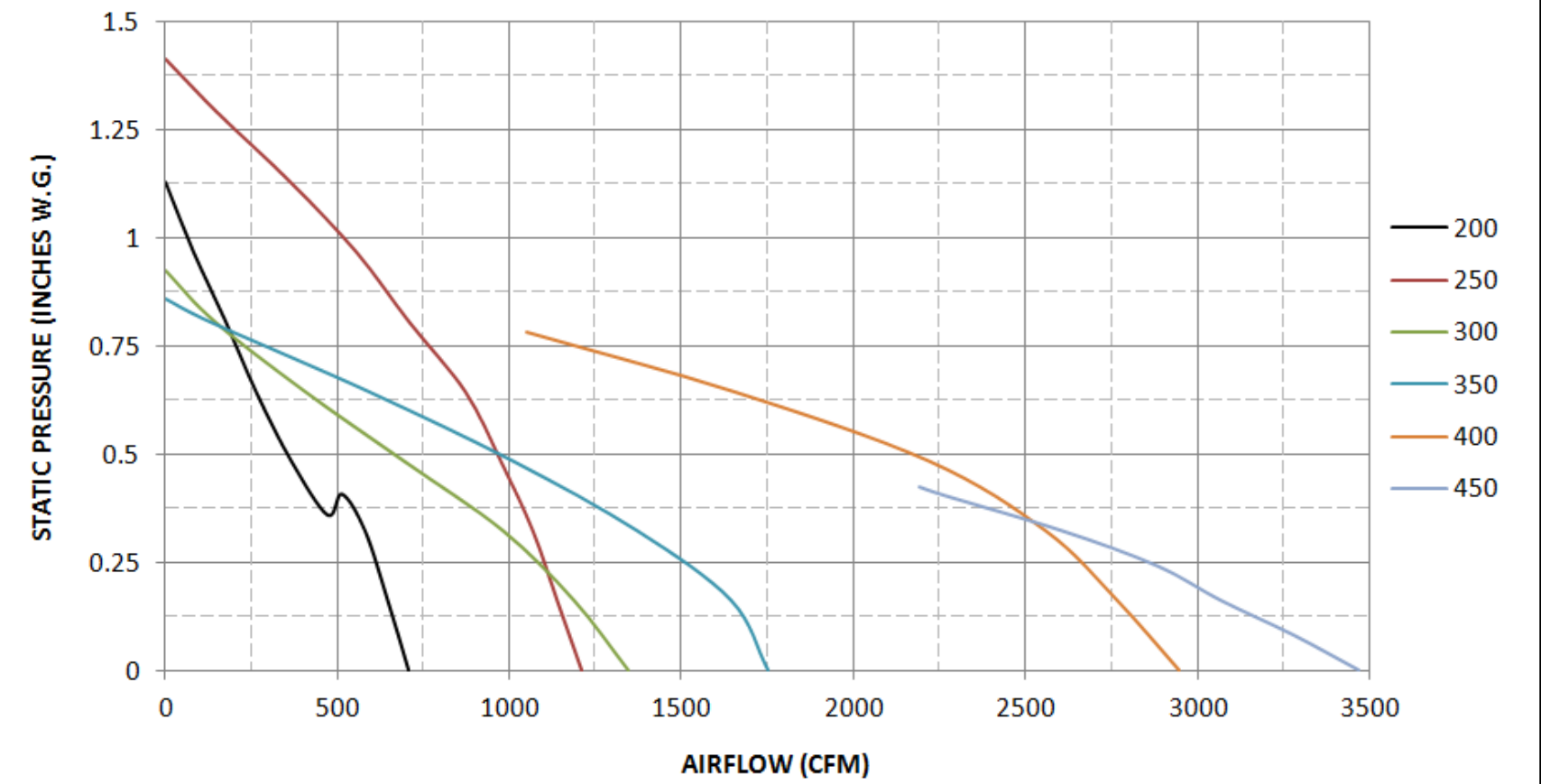
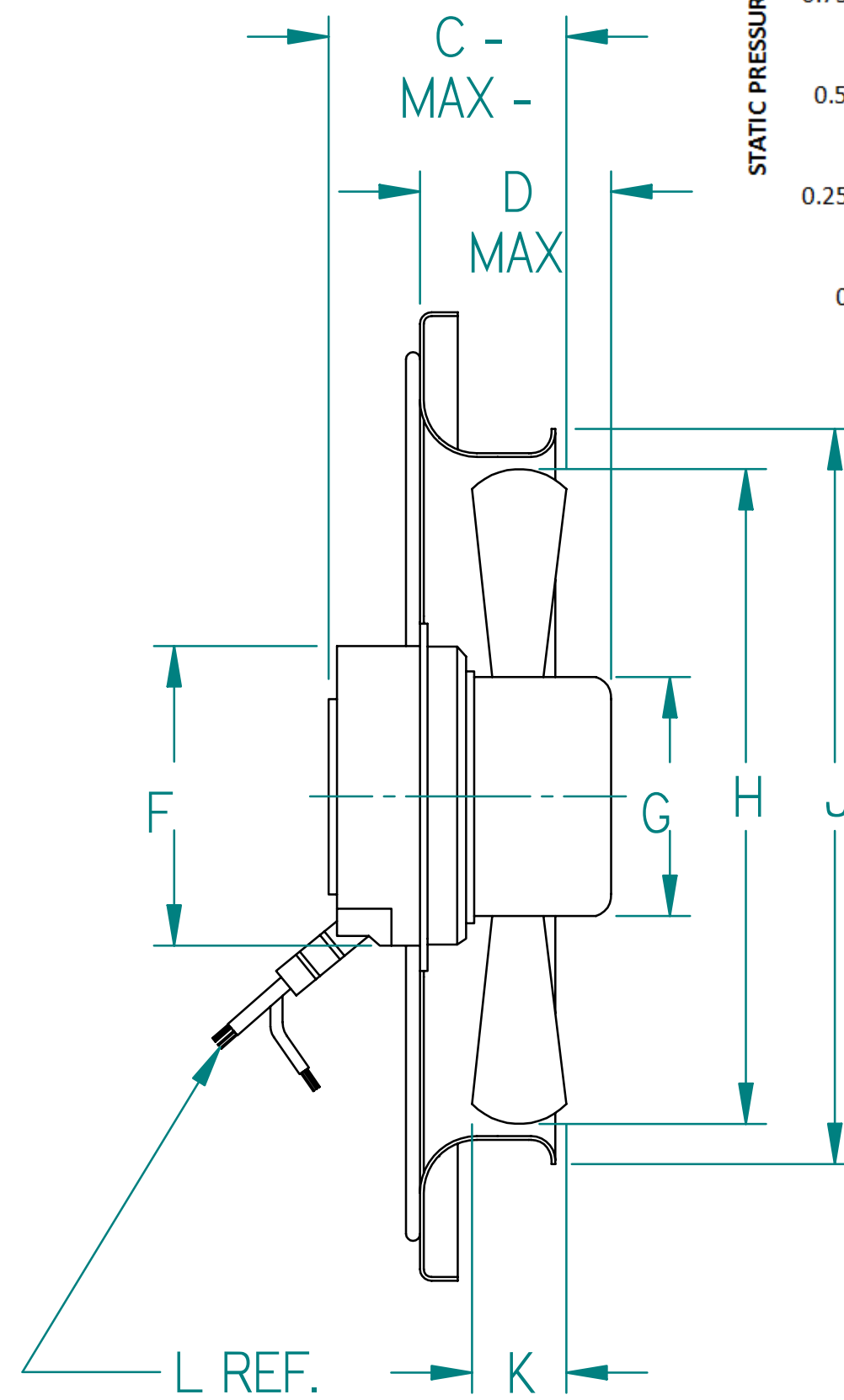
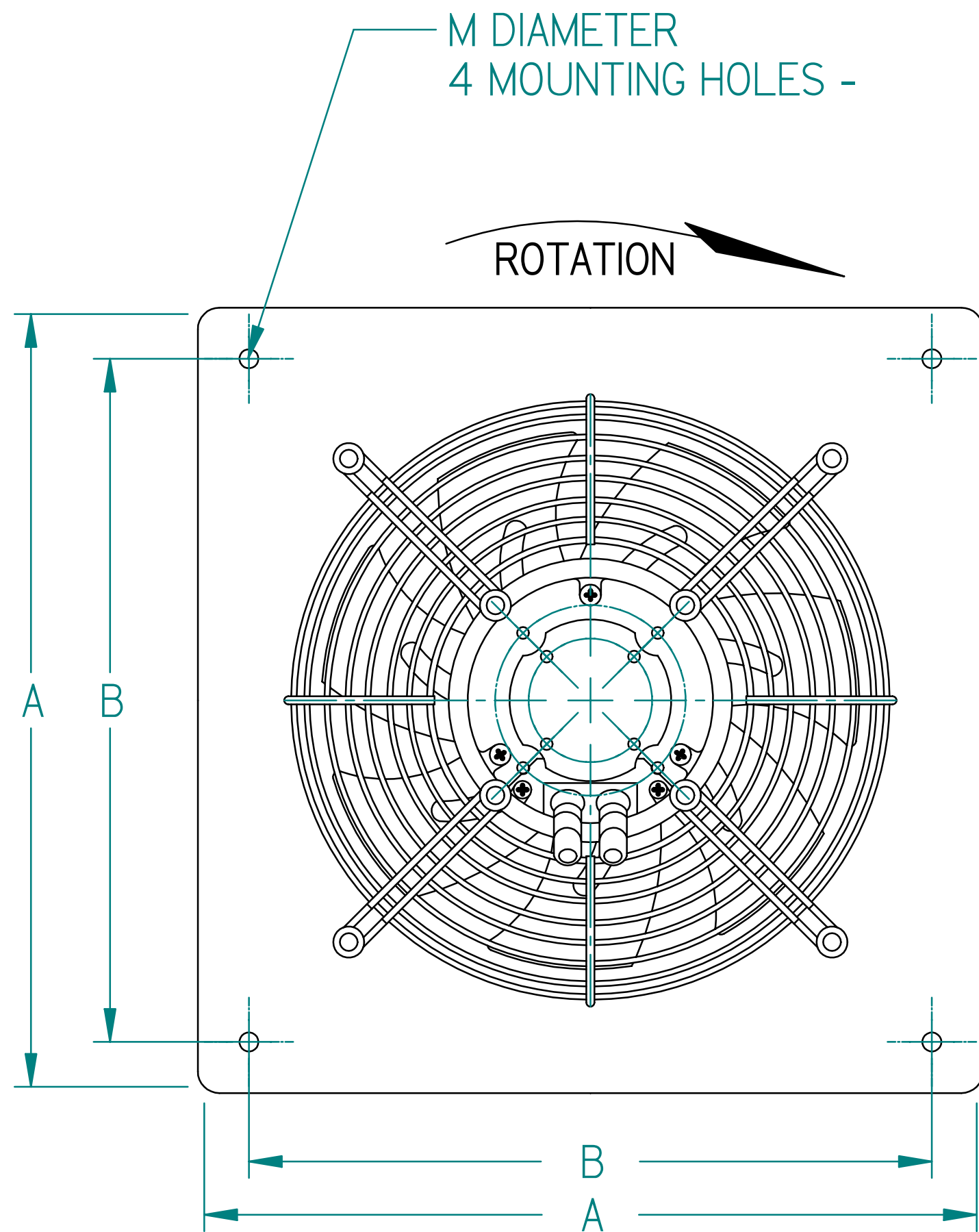
J. M. EVANS 26 NOV. 2014 DXG-EC General Submittal.dft

**Better Airflow By Design**

**CFM**

MOTORIZED AXIAL EC PANEL FAN

DXG-EC GENERAL SUBMITTAL



DIMENSIONS (IN INCHES)

MODEL	A	B	C	D	F	G	H	J	K	L	M
DXP200-2EC-12	12.2	10.2	4.1	2.0	4.5	3.6	7.9	9.1	1.4	17.7	0.3
DXP250-2EC-12	14.6	12.6	3.3	2.8	4.5	3.6	9.8	11.0	1.4	17.7	0.3
DXP300-2EC-12	16.9	15.0	3.8	3.4	4.5	3.6	11.8	13.2	2.6	17.7	0.4
DXP350-2EC-12	19.1	17.1	5.0	3.3	4.5	3.6	13.8	15.0	3.3	17.7	0.4
DXP400-2EC-12	21.3	19.3	6.0	3.8	5.9	4.0	15.7	16.9	2.8	39.4	0.4
DXP450-2EC-12	22.6	20.5	6.1	3.9	5.9	4.0	17.7	18.9	3.7	39.4	0.4

DIMENSIONS SUBJECT TO CHANGE WITHOUT NOTICE.  
DRAWING NOT TO BE USED FOR CONSTRUCTION.

		<b>CFM</b>	
		Better Airflow By Design	
		MOTORIZED AXIAL EC PANEL FAN	
		DXP-EC GENERAL SUBMITTAL	
01	18 MAR. 2015	JME	
REV.	DATE	BY	J. M. EVANS 26 NOV. 2014 DXP-EC General Submittal.dft