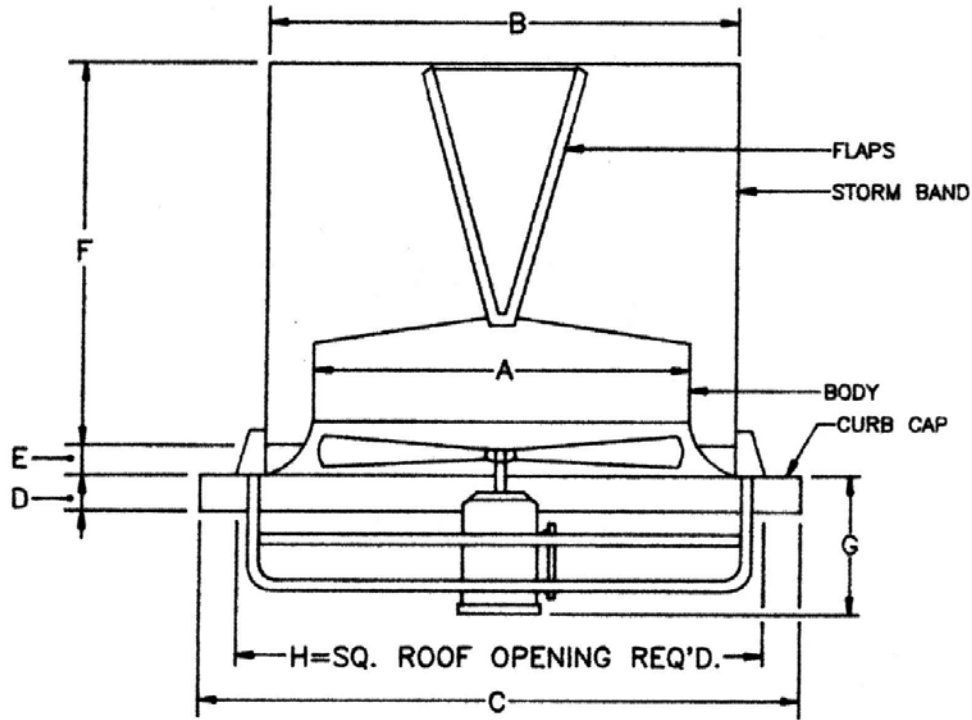



MODEL UDVL DIRECT DRIVE LOW SILHOUETTE



G - DIM., VARIES WITH TYPE OF MOTOR

Model Size	A	B	C	D	E	F	G	H
UDVL-18	19	24	33 SQ.	2 1/2	3	16	13	24
UDVL-24	25	30	39 SQ.	2 1/2	3	19	15	30
UDVL-30	31	36	45 SQ.	2 1/2	3	22	15	36
UDVL-36	37	42	51 SQ.	2 1/2	3	25	18	42
UDVL-42	43	48	57 SQ.	2 1/2	3	27	18	48
UDVL-48	49	54	63 SQ.	2 1/2	3	30	20	54
UDVL-60	61	66	75 SQ.	2 1/2	3	42	22	66

		CONTINENTAL FAN MFG. INC. 	
		Better Airflow By Design	
		TITLE UDVL UPBLAST ROOF FAN	
I	25-MAY-2007	JWA	PART # UDVL-00
REV	DATE	BY	DATE 4 DEC 2004
		JWA	UDVL-00.dft