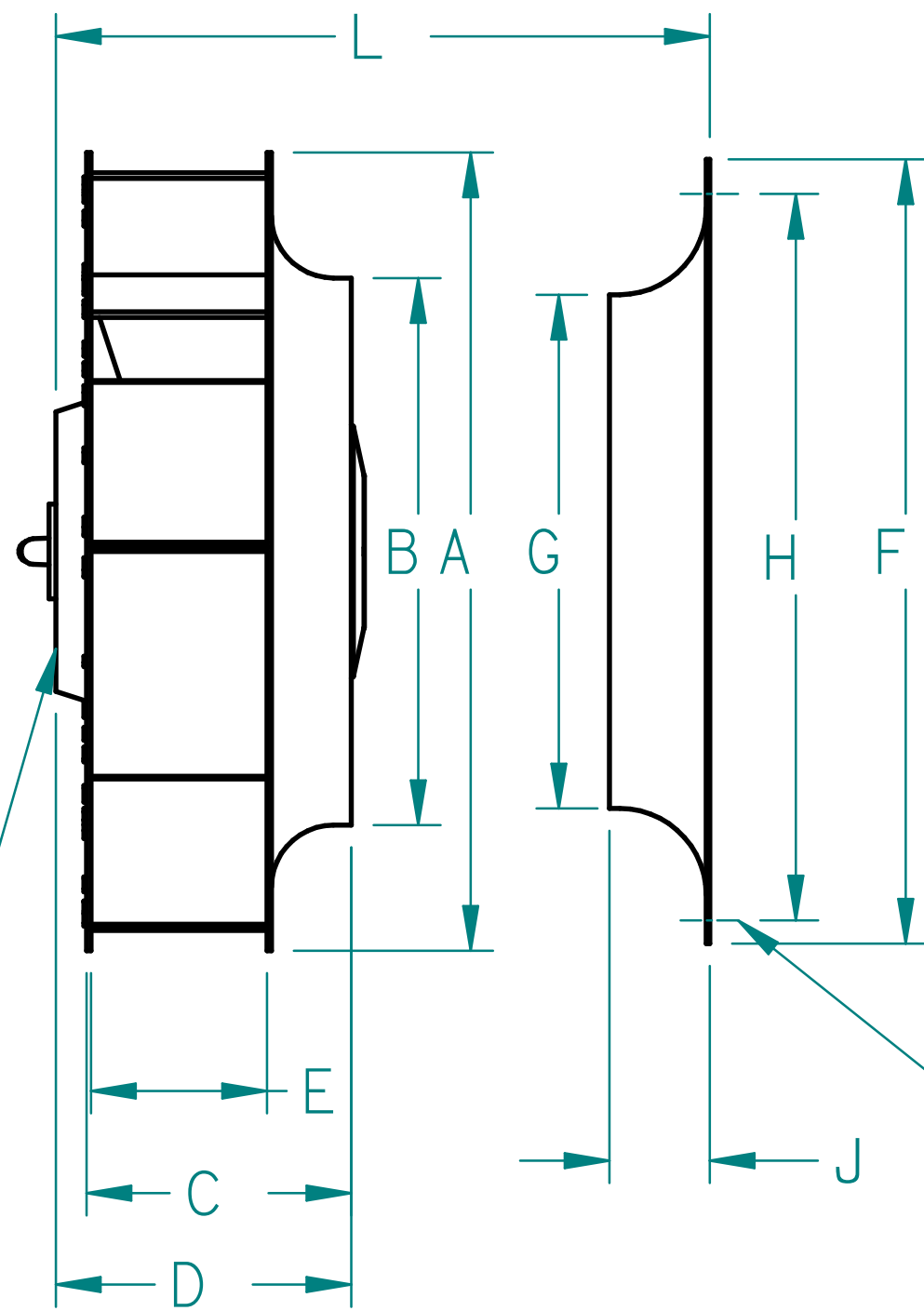


# CMI MOTORIZED IMPELLER

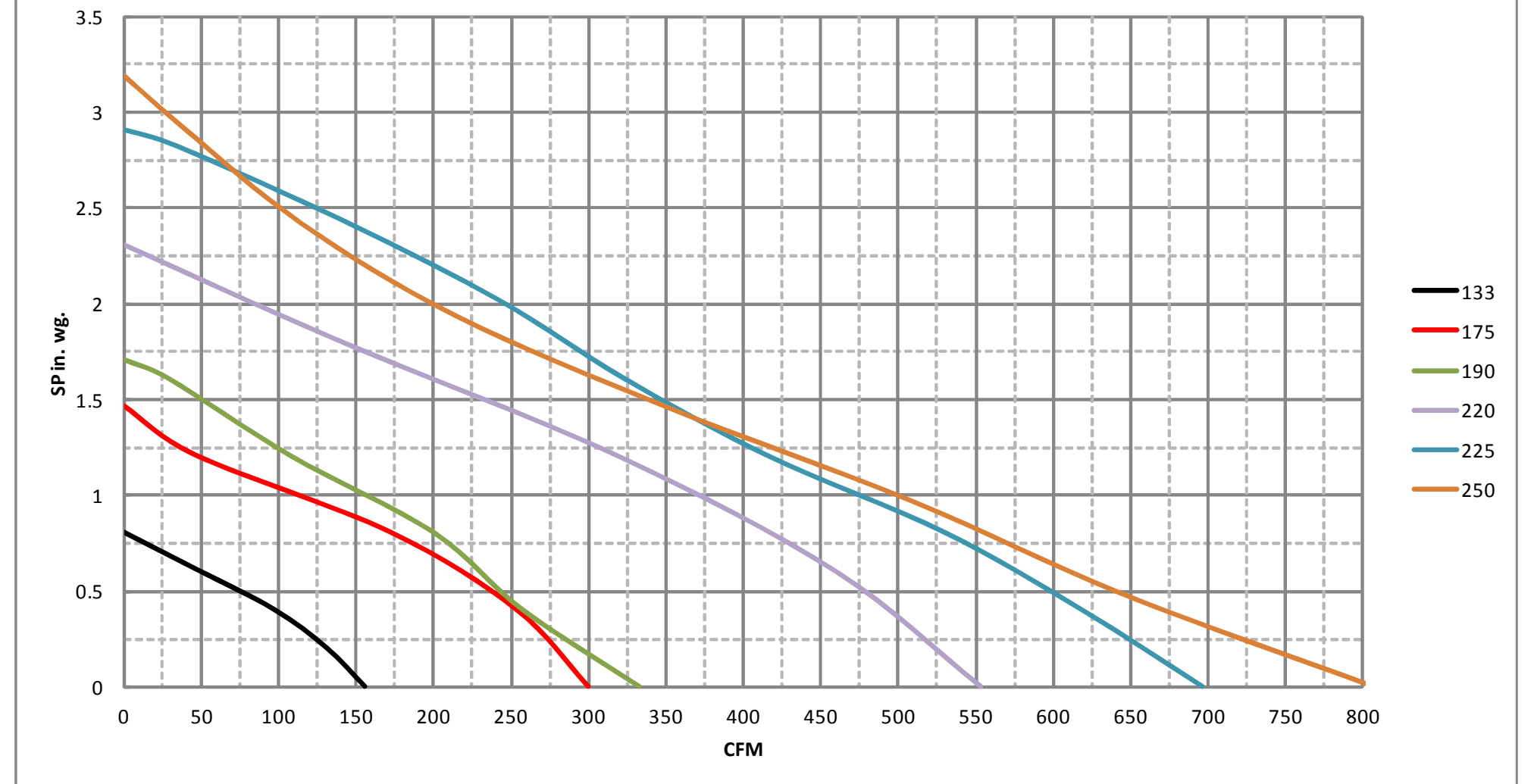


4 - 0.18" DIAMETER HOLES  
EQUALLY SPACED ABOUT 'H' BOLT  
CIRCLE DIAMETER

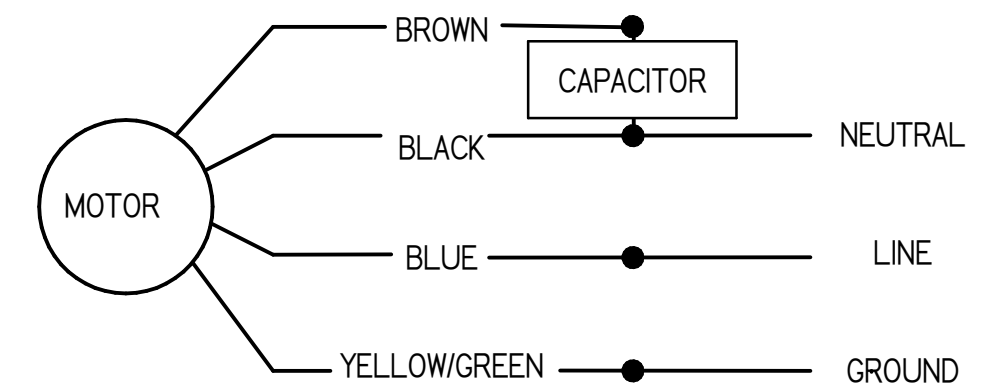
4 THREADED HOLES FOR M4X5 MOUNTING BOLTS  
EQUALLY SPACED ABOUT A 2.28" BOLT CIRCLE DIAMETER

MODEL	DIMENSIONS (IN INCHES)									
	A	B	C	D	E	F	G	H	J	L
CMI133-2C10	5.24	3.66	2.4	3.07	1.65	5.08	3.43	4.65	0.51	3.5
CMI175-2C15	6.89	5.11	2.48	2.76	1.65	6.69	4.90	6.22	0.55	3.23
CMI190-2C15	7.48	5.24	2.48	2.76	1.75	6.69	4.90	6.22	0.55	3.23
CMI220-2C25	8.74	6.26	2.51	2.76	1.75	9.96	5.98	9.65	0.79	3.47
CMI225-2C45	8.86	6.02	3.50	3.94	2.46	8.78	5.75	8.27	1.1	4.96
CMI250-2C45	9.84	6.88	3.41	3.94	2.17	10	6.40	9.45	1.22	5.08
CMI280-2C45	9.84	6.88	3.41	3.94	2.17	10	6.40	9.45	1.22	5.08

## CMI Performance (115V / 60 Hz)



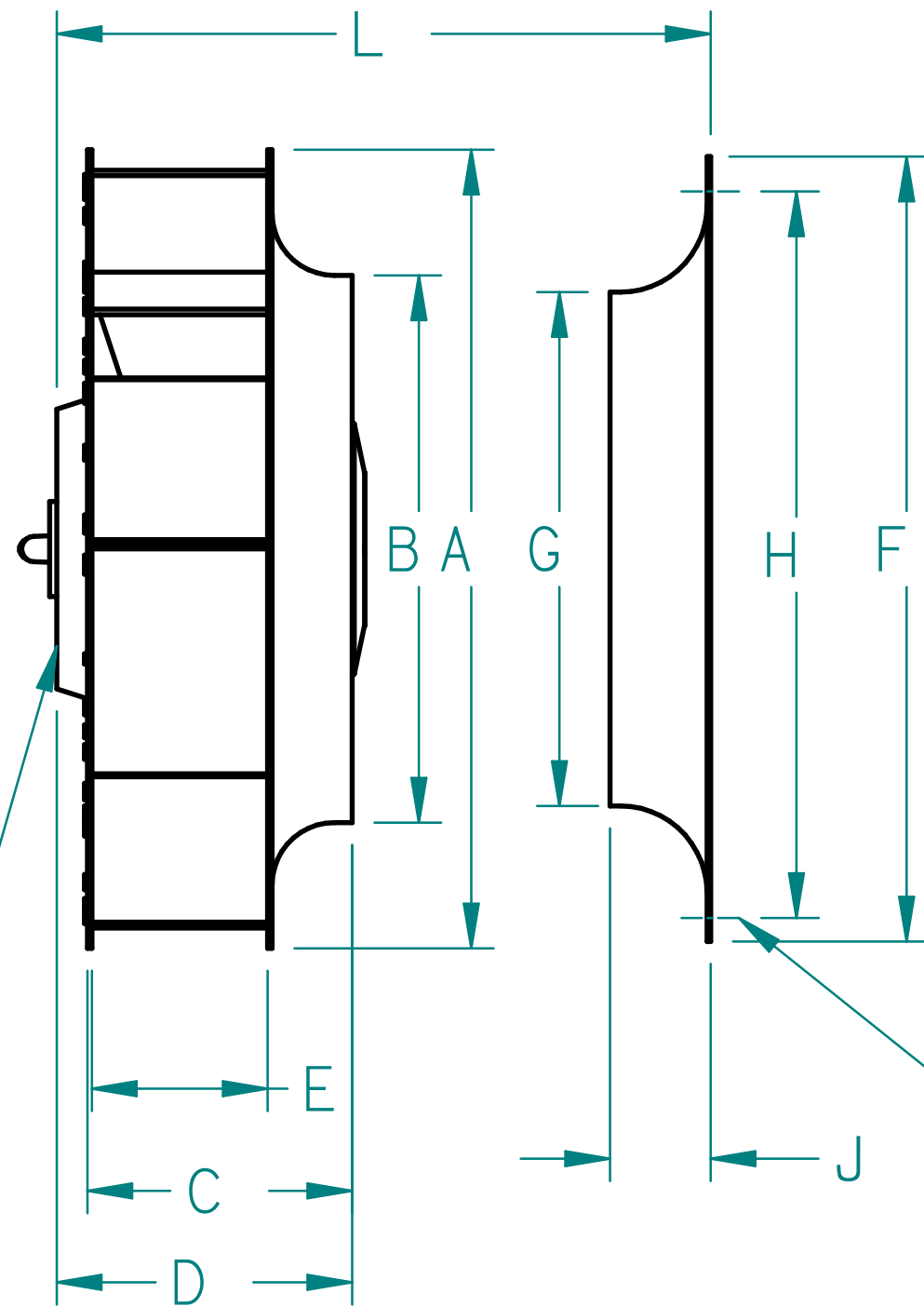
115V - 1 PHASE		60 HZ PERFORMANCE			
MODEL	CFM	RPM	WATTS	AMPS	CAP
CMI133-2C10-11	156	3150	30	0.26	4 X 250V
CMI175-2C15-11	300	2890	82	0.68	8 X 250V
CMI190-2C15-11	333	2740	80	0.70	8 X 250V
CMI220-2C25-11	553	2800	120	0.96	10 X 250V
CMI225-2C45-11	696	2870	200	1.75	20 X 250V
CMI250-2C45-11	806	2740	260	2.10	25 X 250V



DIMENSIONS SUBJECT TO CHANGE WITHOUT NOTICE.  
DRAWING NOT TO BE USED FOR CONSTRUCTION.

		<b>CFM</b> Better Airflow By Design	
		<b>CMI MOTORIZED IMPELLER</b>	
		<b>GENERAL LAYOUT</b>	
01	21 JUN 2016	JME	
REV.	DATE	BY	JWA 01-AUG-2013 CMI_GENERAL_LAYOUT.dft

# CMI MOTORIZED IMPELLER

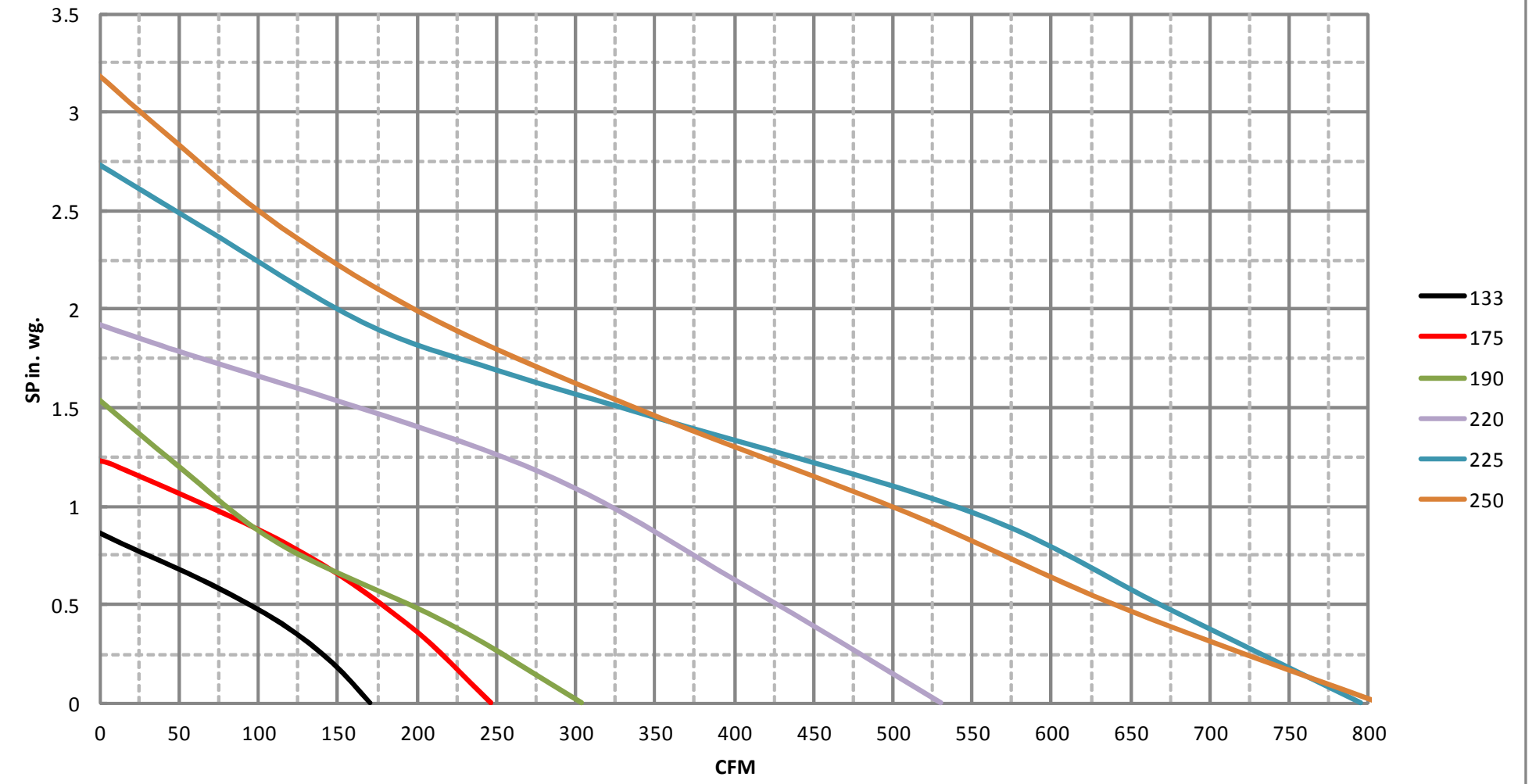


4 - 0.18" DIAMETER HOLES EQUALLY SPACED ABOUT 'H' BOLT CIRCLE DIAMETER

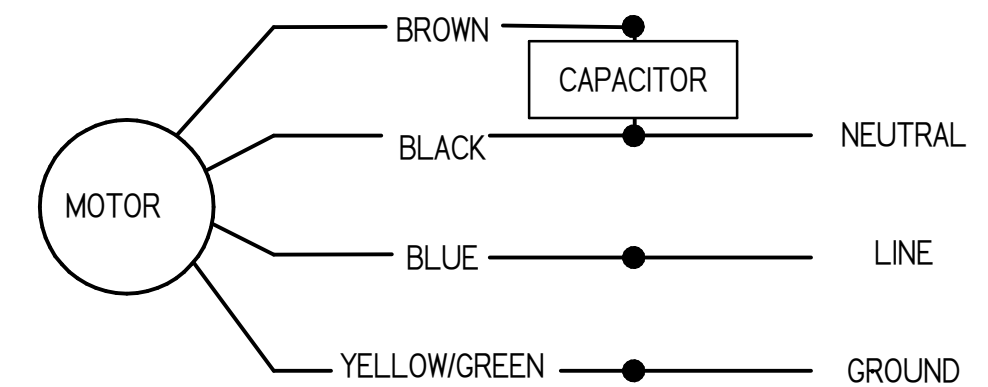
4 THREADED HOLES FOR M4X5 MOUNTING BOLTS EQUALLY SPACED ABOUT A 2.28" BOLT CIRCLE DIAMETER

MODEL	DIMENSIONS (IN INCHES)									
	A	B	C	D	E	F	G	H	J	L
CMI133-2C10	5.24	3.66	2.4	3.07	1.65	5.08	3.43	4.65	0.51	3.5
CMI175-2C15	6.89	5.11	2.48	2.76	1.65	6.69	4.90	6.22	0.55	3.23
CMI190-2C15	7.48	5.24	2.48	2.76	1.75	6.69	4.90	6.22	0.55	3.23
CMI220-2C25	8.74	6.26	2.51	2.76	1.75	9.96	5.98	9.65	0.79	3.47
CMI225-2C45	8.86	6.02	3.50	3.94	2.46	8.78	5.75	8.27	1.1	4.96
CMI250-2C45	9.84	6.88	3.41	3.94	2.17	10	6.40	9.45	1.22	5.08
CMI280-2C45	9.84	6.88	3.41	3.94	2.17	10	6.40	9.45	1.22	5.08

## CMI Performance (230V / 60 Hz)



230V - 1 PHASE		60 HZ PERFORMANCE			
MODEL	CFM	RPM	WATTS	AMPS	CAP
CMI133-2C10-12	171	3240	33	0.14	1 X 400V
CMI175-2C15-12	246	2700	77	0.35	2.5 X 400V
CMI190-2C15-12	303	2500	75	0.35	2.5 X 400V
CMI220-2C25-12	530	2680	118	0.53	3 X 400V
CMI225-2C45-12	795	2940	220	1.05	6 X 400V
CMI250-2C45-12	806	2800	250	1.07	6 X 400V



DIMENSIONS SUBJECT TO CHANGE WITHOUT NOTICE.  
DRAWING NOT TO BE USED FOR CONSTRUCTION.

		<b>CFM</b> Better Airflow By Design	
		<b>CMI MOTORIZED IMPELLER</b>	
		<b>GENERAL LAYOUT</b>	
01	21 JUN 2016	JME	
REV.	DATE	BY	JWA 01-AUG-2013 CMI_GENERAL_LAYOUT.dft