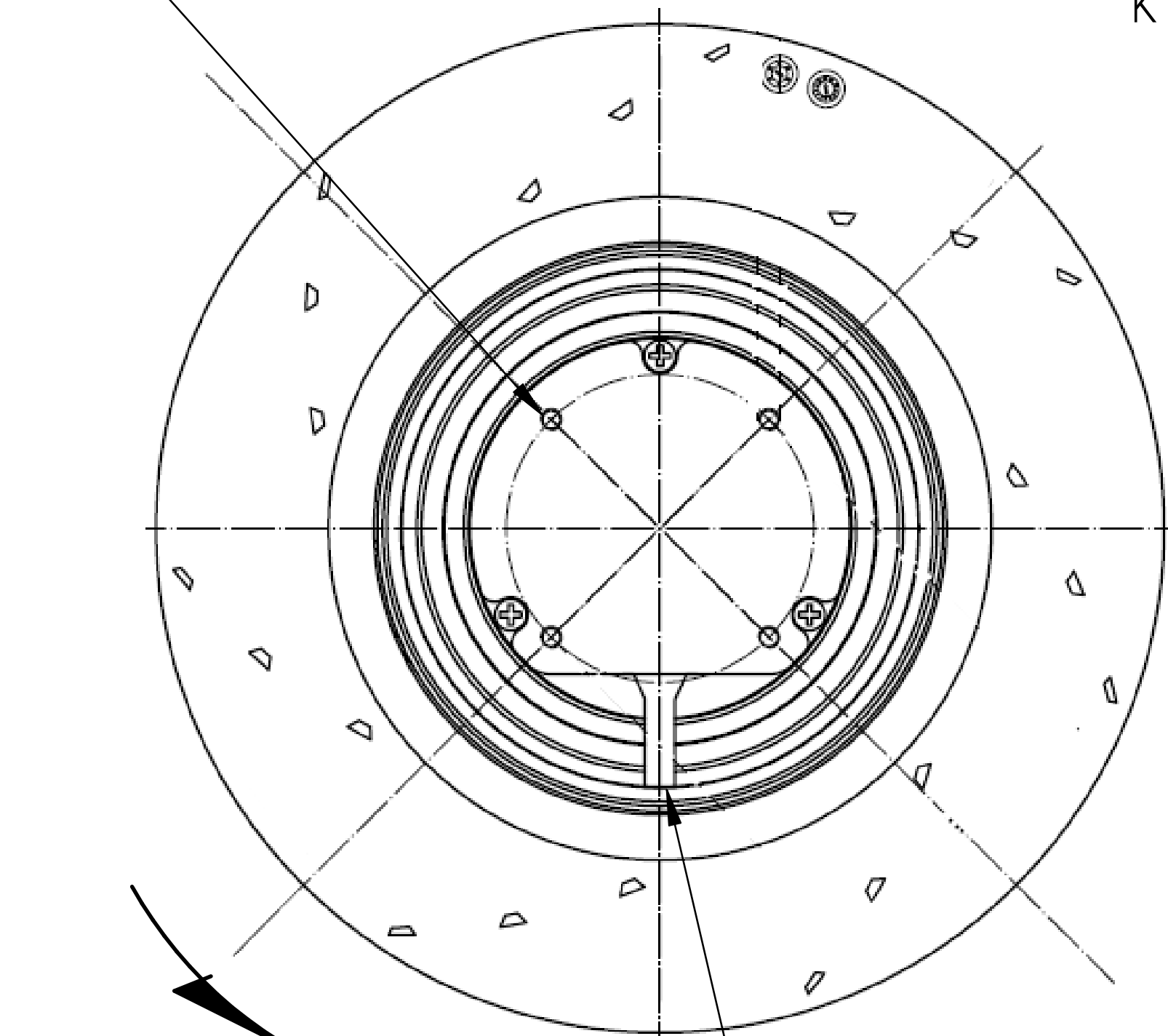


4 THREADED HOLES FOR U MOUNTING
BOLTS EQUALLY SPACED ABOUT M
BOLT CIRCLE DIAMETER.

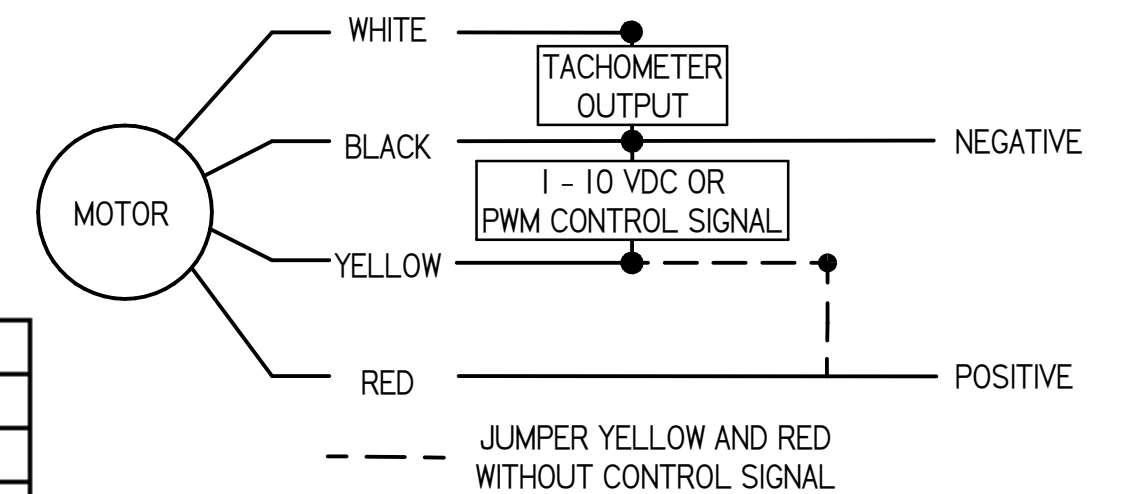
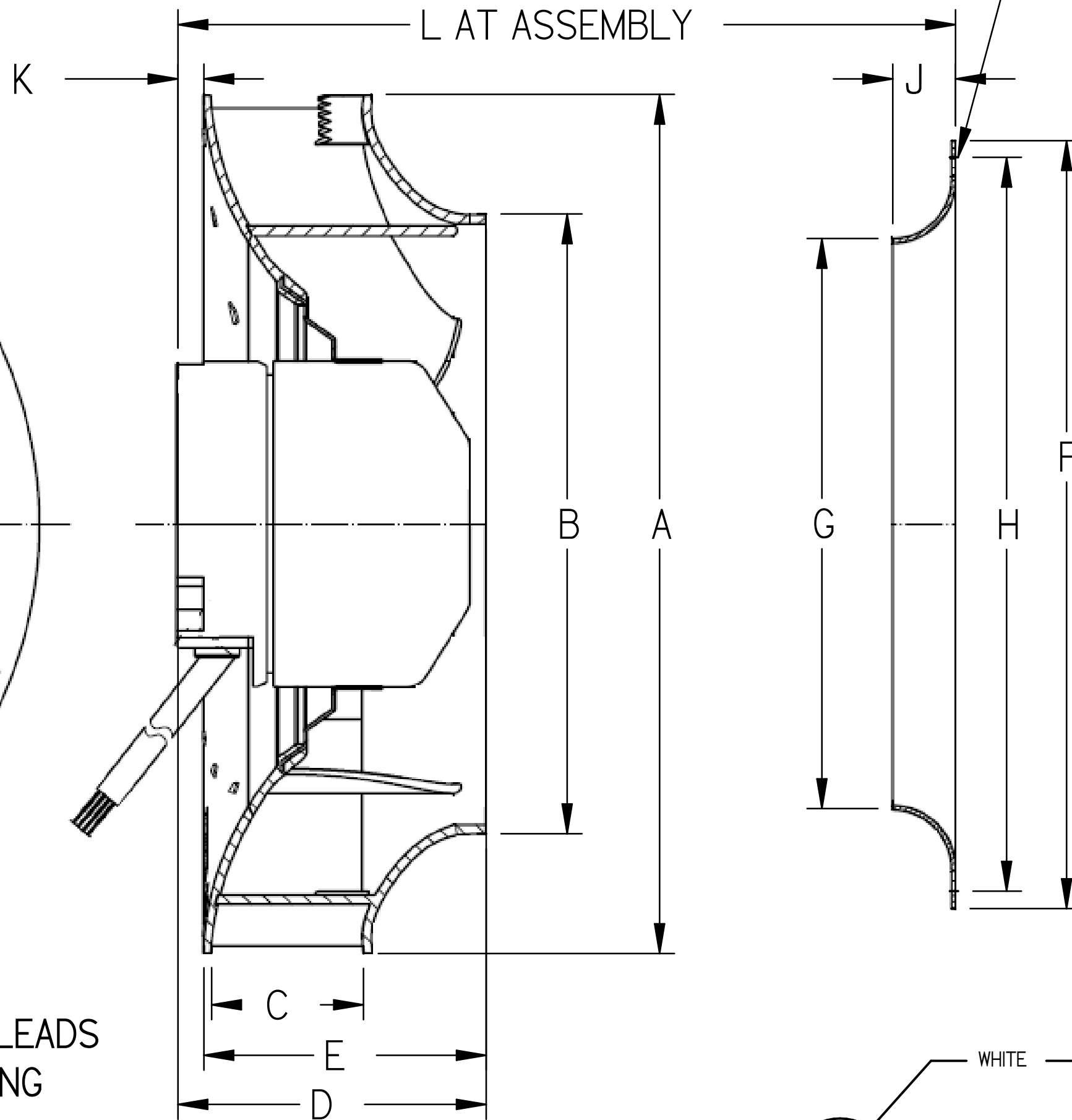
4 x 0.2 DIAMETER HOLES
EQUALLY SPACED ABOUT
H DIAMETER



ROTATION

DIMENSIONS IN INCHES
UNLESS OTHERWISE NOTED

ELECTRICAL LEADS
APPROX X LONG



MOTOR WIRING DIAGRAM

MODEL	DIMENSIONS (IN INCHES)															
	A	B	C	D	E	F	G	H	J	K	L	M	U	V	X	
DC190-2B34	7.4	5.2	1.3	2.7	2.5	6.7	4.9	6.2	0.6	0.2	3.2	2.3	M4 x 6	4.0	17.7	
DC220-2B42	8.7	6.3	1.7	2.8	2.5	10.0	6.0	9.6	0.8	0.3	3.5	2.3	M4 x 6	4.0	17.7	
DC225-2B65	8.9	6.0	2.5	3.9	3.6	8.8	5.7	8.3	1.1	0.3	4.9	2.3	M4 x 6	4.0	17.7	
DC250-2B61	9.8	6.8	2.4	3.9	3.6	10.0	6.4	9.4	1.2	0.3	5.0	2.3	M4 x 6	4.0	17.7	
DC280-2B82	11.1	7.5	3.2	5.3	4.4	11.8	6.9	11.5	1.2	1.0	6.4	2.3	M4 x 6	6.0	17.7	
DC315-2B50	12.4	8.5	2.0	3.9	3.4	13.8	8.2	13.4	1.2	0.5	5.0	2.3	M4 x 6	6.0	17.7	
DC355-2B97	14.0	9.7	3.8	6.2	5.6	13.8	9.4	12.8	1.2	0.6	7.3	3.5	M5 x 9	6.0	39.4	
DC400-2B93	15.9	10.6	3.6	6.3	5.6	14.5	10.1	13.5	1.4	0.7	7.6	3.5	M5 x 9	6.0	39.4	

DIMENSIONS SUBJECT TO CHANGE WITHOUT NOTICE.
DRAWING NOT TO BE USED FOR CONSTRUCTION.

				DC GENERAL SUBMITTAL			
				DC MOTORIZED IMPELLER			
REV.	DATE	BY	J. M. EVANS 16 AUG 2016 DC General Submittal				