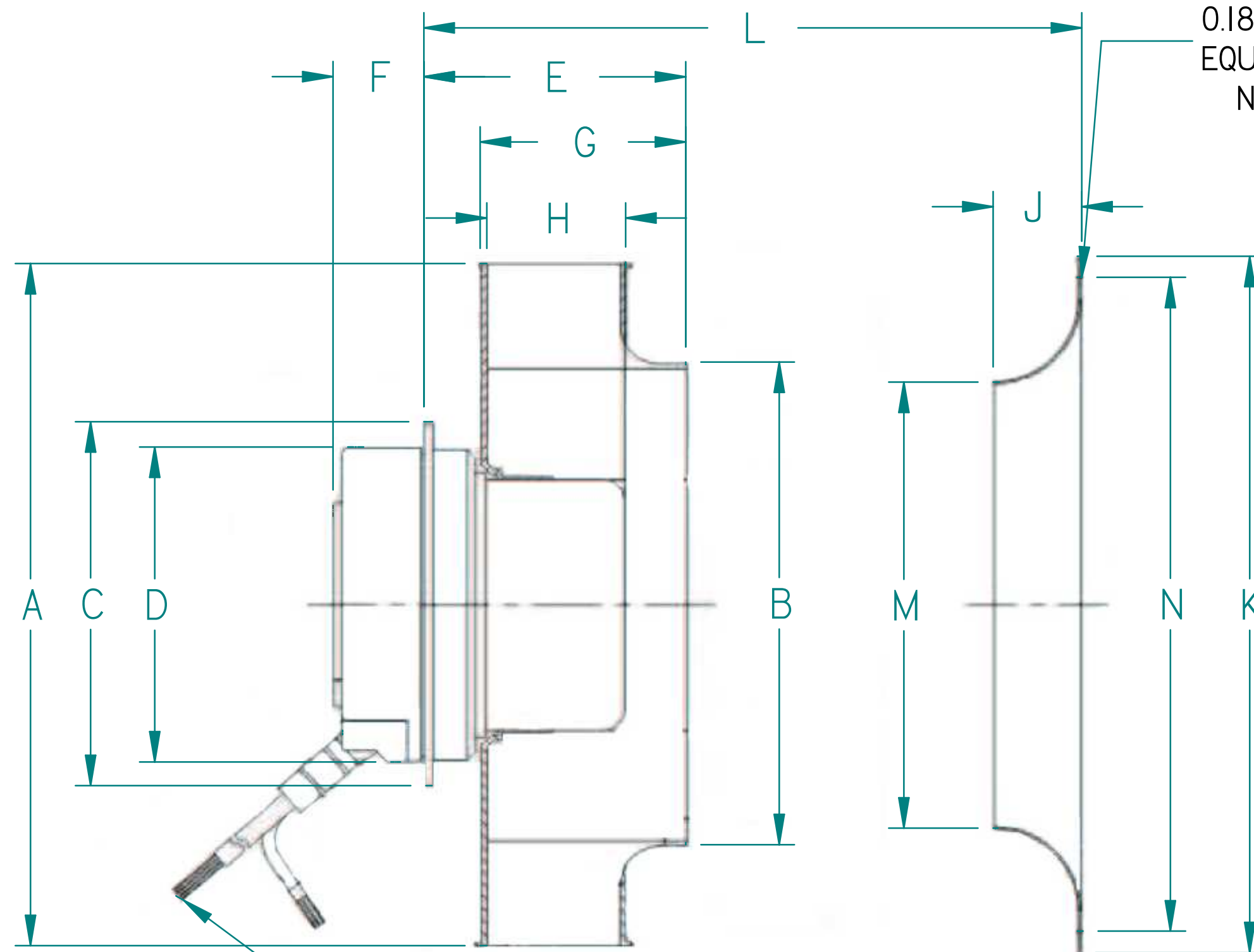
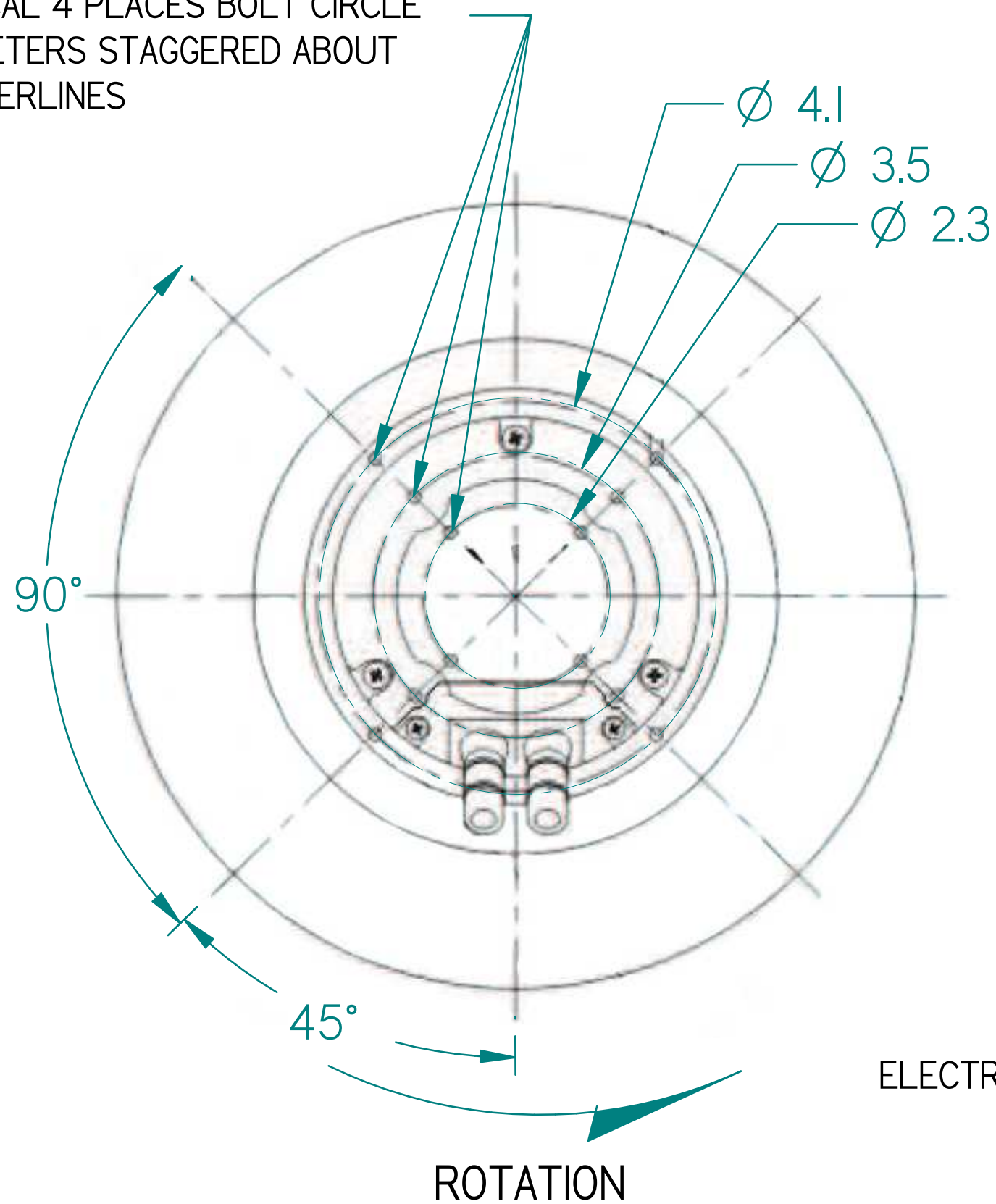
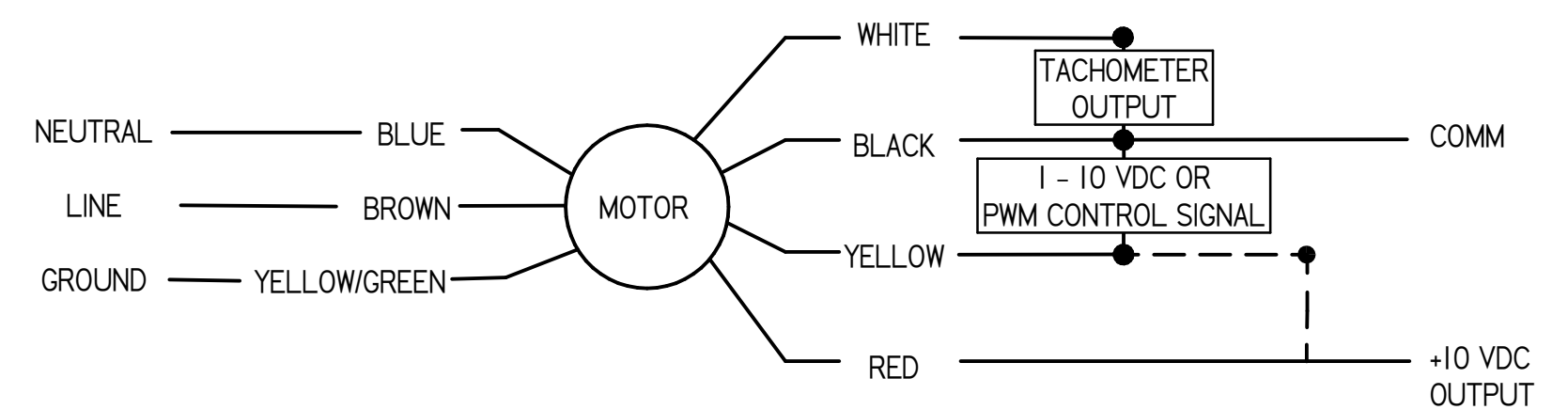


M4 THREADED MOUNTING HOLES
TYPICAL 4 PLACES BOLT CIRCLE
DIAMETERS STAGGERED ABOUT
CENTERLINES



0.18 DIAMETER V HOLES
EQUALLY SPACED ABOUT
N BOLT CIRCLE DIA.

ELECTRICAL LEAD LENGTH
17.7 REF.




--- JUMPER YELLOW AND RED
WITHOUT CONTROL SIGNAL

MOTOR WIRING DIAGRAM

MODEL	DIMENSIONS (IN INCHES)												
	A	B	C	D	E	F	G	H	J	K	L	M	N
EC190-2B34-12	7.5	5.2	4.5	3.7	2.7	1.0	2.5	1.3	0.6	6.7	3.2	4.9	6.2
EC220-2B42-12	8.7	6.3	4.5	3.7	2.7	1.0	2.5	1.7	0.8	10.0	3.4	6.0	9.6
EC225-2B65-12	8.9	6.0	4.5	3.7	2.9	1.0	3.6	2.5	1.1	8.8	3.9	5.7	8.3
EC250-2B61-12	9.8	6.8	4.5	3.7	2.9	1.0	3.6	2.4	1.2	10.0	4.0	6.4	9.4
EC280-2B78-12	11.1	7.5	5.2	4.5	5.5	1.3	4.3	3.1	1.2	11.8	6.6	6.9	11.5

DIMENSIONS SUBJECT TO CHANGE WITHOUT NOTICE.
DRAWING NOT TO BE USED FOR CONSTRUCTION.



Better Airflow By Design

EC GENERAL SUBMITTAL

EC MOTORIZED IMPELLER

REV.	DATE	BY	BY J. M. EVANS	DATE 11 AUG 2016	EC General Submittal.dft
------	------	----	----------------	------------------	--------------------------