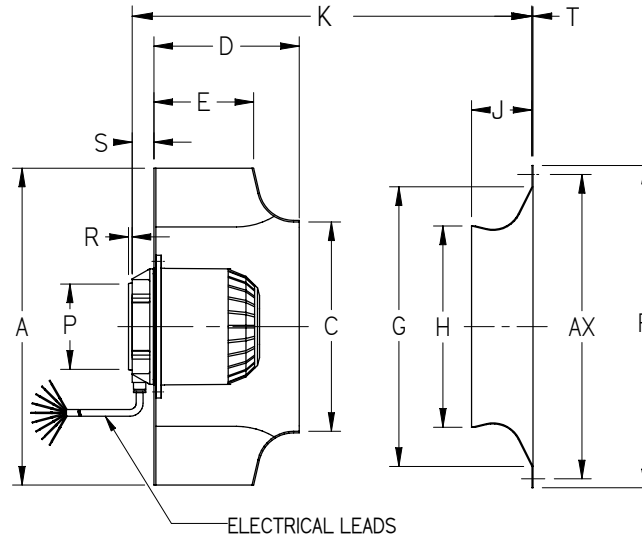
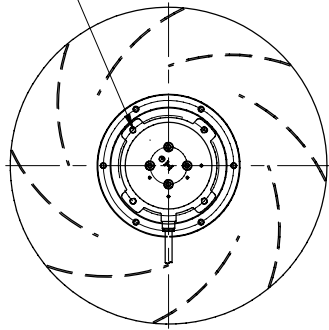
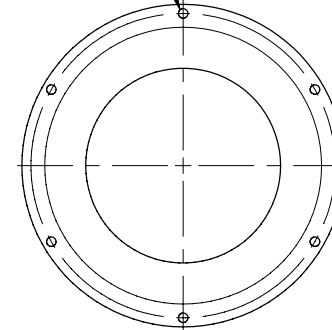


'V' THREADED HOLES
FOR 'U' MOUNTING BOLTS
EQUALLY SPACED ABOUT
'M' BOLT CIRCLE DIAMETER



ELECTRICAL LEADS

'X' DIAMETER 'N' HOLES
EQUALLY SPACED ABOUT
'AX' BOLT CIRCLE DIAMETER



MOTORIZED IMPELLER

INLET CONE

MOTORIZED IMPELLER DIMENSIONS												INLET CONE DIMENSIONS								
PART NUMBER	A	C	D	E	K	M	U	V	P	R	S	PART NUMBER	F	G	H	J	N	T	X	AX
RO-RCM315	1256	850	575	402	987	638	M10 x 20	4	548	024	185	TO-ICP315	1504	1260	803	256	6	0.12	0.50	1390
RO-RCM355	1413	953	520	315	955	638	M10 x 20	4	548	024	185	TO-ICP355	1661	1417	905	291	8	0.12	0.50	1555
RO-RCM500	2008	1346	921	622	1408	638	M10 x 20	4	548	024	138	RO-ICS500	2043	1774	1220	384	8	0.06	0.47	1929
RO-RCM560	2244	1504	1028	697	1567	748	M12 x 20	8	629	028	161	RO-ICS560	2220	1972	1453	413	8	0.06	0.43	2126
RO-RCM630	2520	1669	1154	783	1715	748	M12 x 20	8	629	028	215	RO-ICS630	2520	2209	1535	447	8	0.06	0.55	2402
RO-RCM710	2827	1898	1154	744	1797	748	M12 x 20	8	629	028	183	RO-ICS710	2795	2484	1724	528	8	0.06	0.55	2654

FOR ELECTRICAL CONNECTIONS TO THREE PHASE POWER SEE DRAWING RCM100.001.dft

DIMENSIONS SUBJECT TO CHANGE WITHOUT NOTICE
DRAWING NOT TO BE USED FOR CONSTRUCTION

		CFM Better Airflow By Design	
04	27 MAY 2009	JEE	RCM SERIES IMPELLERS & CONES RCM MOTORIZED IMPELLER SUBMITTAL
03	16 MAR 2009	JEE	
02	16 JUNE 2008	JEE	
01	27 JUNE 2007	JEE	
REV	DATE	BY	J. E. EVANS 16 SEPT. 2005 RCM 000-00-100 Submittal.dft