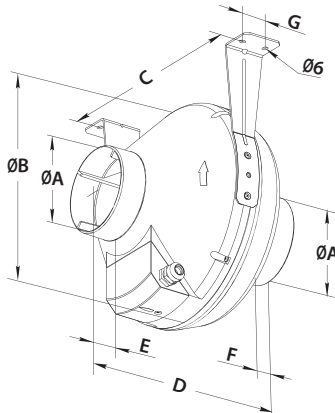


MODEL: AXP IN-LINE DUCT FANS

AXP In-Line Duct Fans are designed for residential, commercial and light industrial ventilation applications. These compact, powerful and quiet fans feature a durable UV resistant plastic housing and a quiet and efficient backward-curved motorized impeller.

DIMENSIONS IN INCHES									
MODEL	DUCT DIA.	ØA	ØB	C	D	E	F	G	SHIP WT (lbs)
AXP100	4"	3.9	9.8	10.6	9.1	1.2	1.1	1.2	7.0
AXP125	5"	4.9	9.8	10.6	8.7	1.2	1.1	1.2	7.0
AXP150	6"	5.9	11.8	12.2	11.3	1.2	1.2	1.2	8.0
AXP200	8"	7.9	13.4	13.9	10.9	1.2	1.2	1.6	9.0
AXP250	10"	9.8	13.4	13.9	10.4	1.2	1.2	1.6	12.0
AXP300*	12"	12.3	15.8	16.3	16.3	1.6	2.2	1.6	14.0

*INCLUDES 2 DUCT REDUCERS TO FIT 12" DUCT



CONSTRUCTION

- UV and corrosion resistant, durable plastic housing
- Suitable for air temperatures up to 122 F
- Pre-wired capacitor
- Easily accessible, external junction box
- Mounting brackets
- Backward-curved centrifugal impeller
- Precision balanced assembly

MOTORS

- Durable "external rotor" design
- Enclosed motor housing
- Ball bearings, permanently lubricated
- 120V, 60 Hz operation; (optional 220V; contact factory)
- IPX4 protection
- Automatic reset thermal overload protection
- Infinitely variable fan speed capability

PROJECT					ARCHITECT				
DATE					ENGINEER				
SUBMITTED BY					CONTRACTOR				
SPECIFICATION									
FAN NO.	MODEL NO.	CFM	IN. WG	VOLTS	WATTS	AMPS	QTY	OPTIONAL EQUIPMENT	