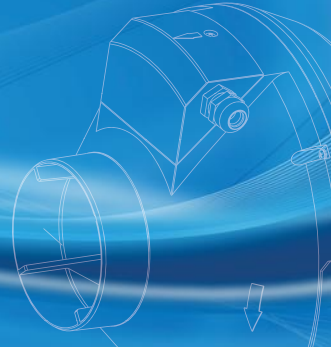




CFMTM
CONTINENTAL FAN

*better AIRFLOW by DESIGN*TM



Commercial Fans & Dampers



EXHAUST FANS

CEF CEILING EXHAUST FANS

FEATURES & BENEFITS

- Acoustically insulated galvanized steel housing
- Low profile grille
- Integral backdraft damper
- Easily removable blower assembly
- Horizontal (standard) or vertical discharge
- 8 position mounting brackets
- Anti-vibration mounts isolate motor for smooth operation
- Thermally protected fan motor



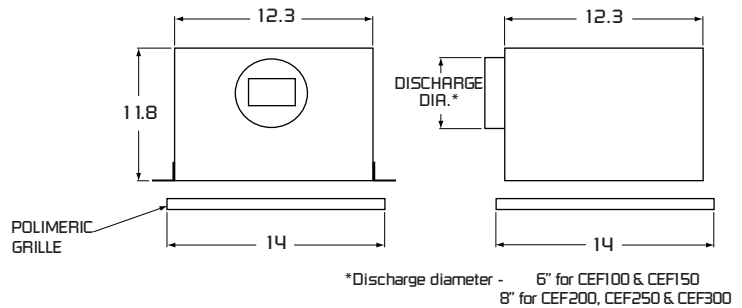
ACCESSORIES / OPTIONS

- Variable speed control
- Time delay switch
- In-line kit
- Radiation damper
- Roof & wall caps
- Square to round discharge transition (CEF400 & larger)

MODELS CEF100 THRU CEF300

| MODEL | WATTS | RPM* | CFM 0.125" SP | DUCT DIA. | WT LBS |
|--------|-------|-----------|------------------|--------------|-----------|
| CEF100 | 88 | 640 / 650 | 109 | 6" | 23 |
| CEF150 | 96 | 710 / 750 | 157 | 6" | 23 |
| CEF200 | 124 | 740 / 760 | 210 | 8" | 23 |
| CEF250 | 160 | 830 / 860 | 259 | 8" | 23 |
| CEF300 | 204 | 935 / 950 | 308 | 8" | 24 |

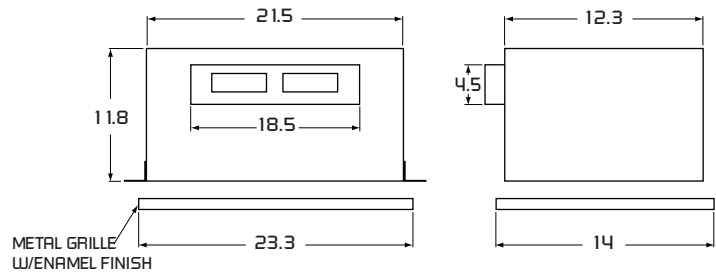
*RPM shown is horizontal / vertical discharge at 0.125".



MODELS CEF400 & CEF700

| MODEL | WATTS | RPM* | CFM 0.125" SP | DUCT DIA. | WT LBS |
|--------|-------|-----------|------------------|--------------|-----------|
| CEF400 | 137 | 735 / 755 | 434 | 18.5" x 4.5" | 34 |
| CEF700 | 298 | 960 / 985 | 701 | 18.5" x 4.5" | 34 |

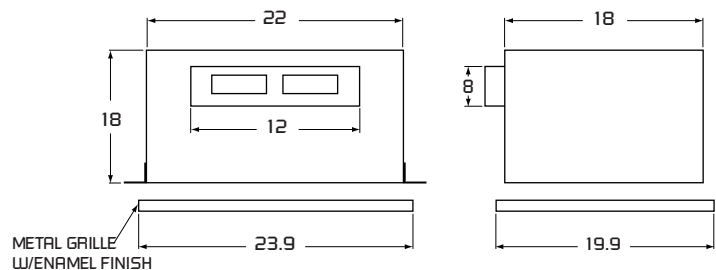
*RPM shown is horizontal / vertical discharge at 0.125".



MODELS CEF900 & CEF1500

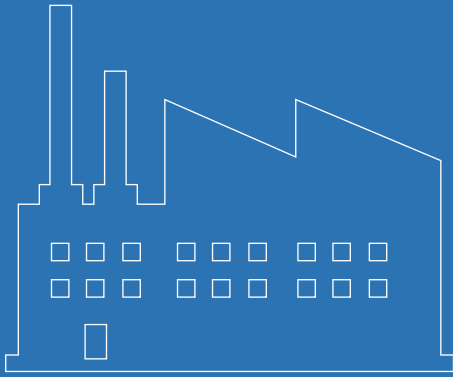
| MODEL | WATTS | RPM* | CFM 0.125" SP | DUCT DIA. | WT LBS |
|---------|-------|-----------|------------------|--------------|-----------|
| CEF900 | 261 | 650 / 675 | 901 | 12" x 8" | 65 |
| CEF1500 | 436 | 955 / 955 | 1513 | 12" x 8" | 65 |

*RPM shown is horizontal / vertical discharge at 0.125".

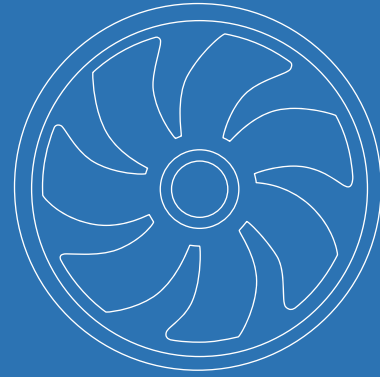


*DO NOT USE FOR CONSTRUCTION
CONSULT FACTORY FOR CERTIFIED PRINTS

VISIT OUR WEBSITE FOR COMPLETE PERFORMANCE DATA



***Industrial Fans
& Blowers***



***OEM Solutions
& Custom Fans***



***Commercial Fans
& Dampers***



***Residential Fans &
Air Purifiers***



Commercial Fans & Dampers

Continental Fan Manufacturing Inc.
203 Eggert Road
Buffalo, New York 14215

Continental Fan Canada Inc.
12-205 Matheson Blvd E
Mississauga, Ontario L4Z 3E3

Continental Fan Manufacturing Inc.
6274 Executive Blvd.
Dayton, Ohio 45424

1-800-779-4021 • www.continentalfan.com

Distributed by:

Commercial-1705