



**CFM**<sup>™</sup>  
CONTINENTAL FAN

*better AIRFLOW by DESIGN*<sup>™</sup>

# ***OEM Solutions & Custom Fans***



# EC HIGH EFFICIENCY MOTORIZED IMPELLERS

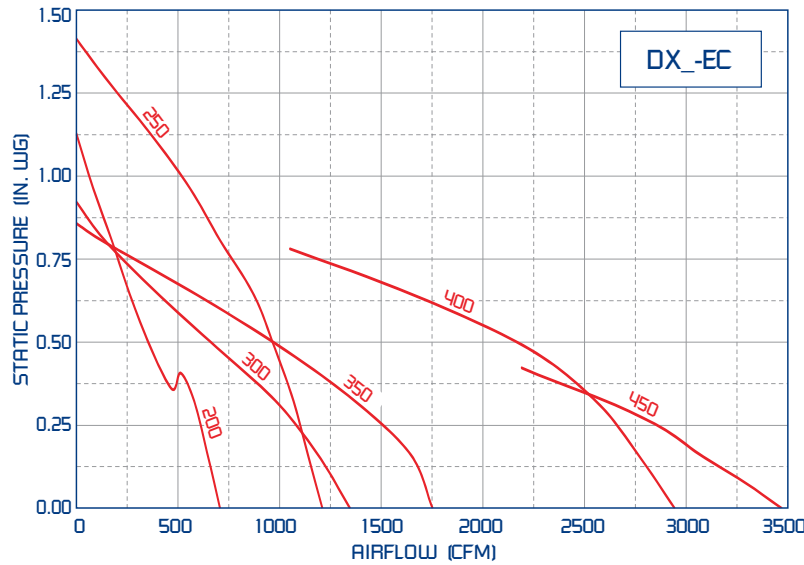
## DXG & DXP MOTORIZED AXIAL FANS (EC)

### FEATURES & BENEFITS

- EC (Electronically Commutated) external rotor motor
- 1-10 VDC or PWM motor control
- Excellent air and sound performance characteristics
- 100% speed controllable
- IP44 motor protection
- Input voltage: 208-277 V 50/60 Hz single phase
- Capacities to 3,469 cfm
- ErP and RoHS compliant



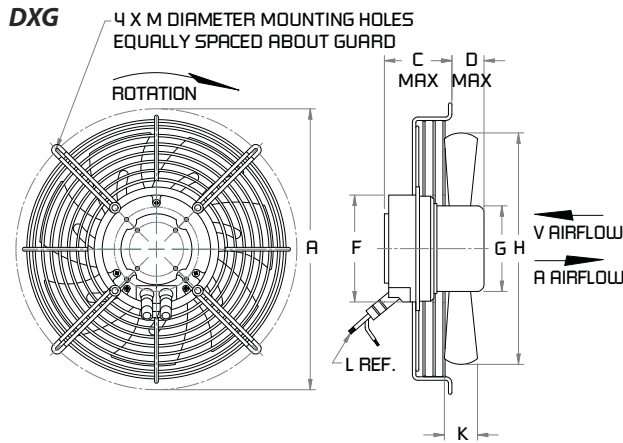
TYPICAL PERFORMANCE (VARIES BY MODEL AND VOLTAGE)



208-277V - 1 PHASE		50/60 Hz PERFORMANCE			
PART NUMBER	CFM	RPM	WATTS	AMPS	dBA
DXG200-2EC-12	709	2820	88	0.7	60
DXG250-2EC-12	1210	3050	175	1.3	69
DXG300-2EC-12	1346	1768	95	0.7	64
DXG350-2EC-12	1752	1732	162	1.2	65
DXG400-2EC-12	2943	1600	345	1.6	69
DXG450-2EC-12	3469	1310	355	1.6	69

208-277V - 1 PHASE		50/60 Hz PERFORMANCE			
PART NUMBER	CFM	RPM	WATTS	AMPS	dBA
DXP200-2EC-12	709	2820	88	0.7	64
DXP250-2EC-12	1210	3050	175	1.3	73
DXP300-2EC-12	1346	1768	95	0.7	69
DXP350-2EC-12	1752	1732	162	1.2	69
DXP400-2EC-12	2943	1600	345	1.6	74
DXP450-2EC-12	3469	1310	355	1.6	73

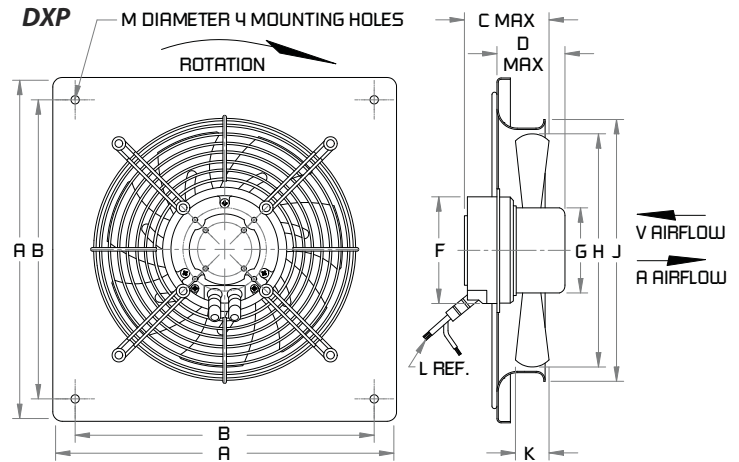
FOR OTHER VOLTAGES, CONSULT FACTORY.  
ACTUAL PERFORMANCE MAY VARY BY APPLICATION.



AIRFLOW DIRECTION TO BE INDICATED BY CUSTOMER.

MODEL	DIMENSIONS IN INCHES*								
	A	C	D	F	G	H	K	L	M
DXG200-2EC	10.2	2.9	1.3	4.5	3.6	7.9	1.4	17.7	0.3
DXG250-2EC	11.8	2.8	1.3	4.5	3.6	9.8	1.4	17.7	0.3
DXG300-2EC	14.2	3.3	1.5	4.5	3.6	11.8	2.6	17.7	0.2
DXG350-2EC	16.6	3.5	1.6	4.5	3.6	13.8	3.3	17.7	0.3
DXG400-2EC	18.5	3.8	1.9	5.9	4.0	15.7	2.8	39.4	0.4
DXG450-2EC	20.6	3.8	2.1	5.9	4.0	17.7	3.7	39.4	0.4

\*DO NOT USE FOR CONSTRUCTION



AIRFLOW DIRECTION TO BE INDICATED BY CUSTOMER.

MODEL	DIMENSIONS IN INCHES*										
	A	B	C	D	F	G	H	J	K	L	M
DXP200-2EC	12.2	10.2	4.1	2.0	4.5	3.6	7.9	9.1	1.4	17.7	0.3
DXP250-2EC	14.6	12.6	3.3	2.8	4.5	3.6	9.8	11.0	1.4	17.7	0.3
DXP300-2EC	16.9	15.0	3.8	3.4	4.5	3.6	11.8	13.2	2.6	17.7	0.4
DXP350-2EC	19.1	17.1	5.0	3.3	4.5	3.6	13.8	15.0	3.3	17.7	0.4
DXP400-2EC	21.3	19.3	6.0	3.8	5.9	4.0	15.7	16.9	2.8	39.4	0.4
DXP450-2EC	22.6	20.5	6.1	3.9	5.9	4.0	17.7	18.9	3.7	39.4	0.4

CONSULT FACTORY FOR CERTIFIED PRINTS

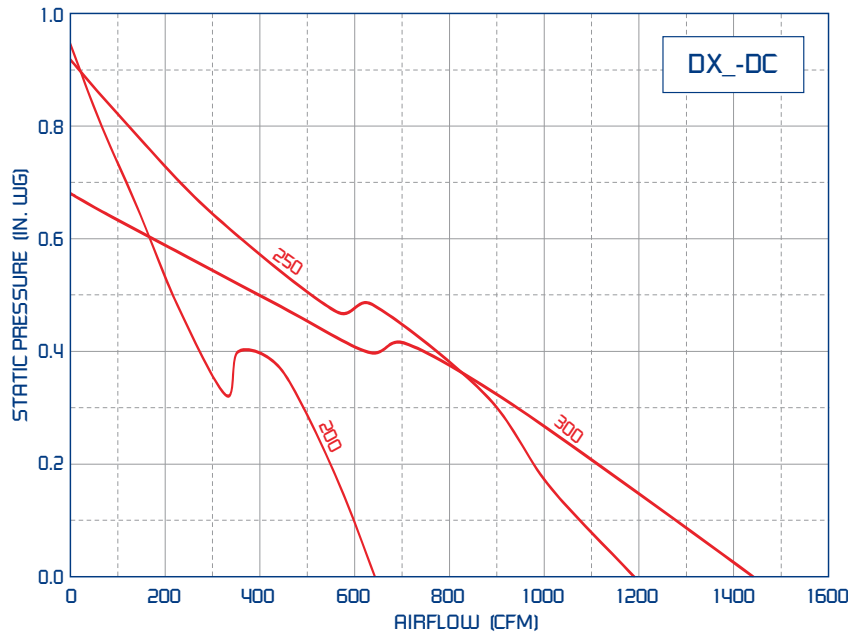
## DXG & DXP MOTORIZED AXIAL FANS (DC)

### FEATURES & BENEFITS

- Excellent air and sound performance characteristics
- 100% speed controllable DC external rotor motor
- Available from stock in 24 & 48 VDC
- 1-10 VDC or PWM motor control
- IP42 motor and reverse polarity protection
- ErP and RoHS compliant
- Capacities to 1,441 cfm
- 48 VDC products are UL approved



TYPICAL PERFORMANCE (VARIES BY MODEL AND VOLTAGE)

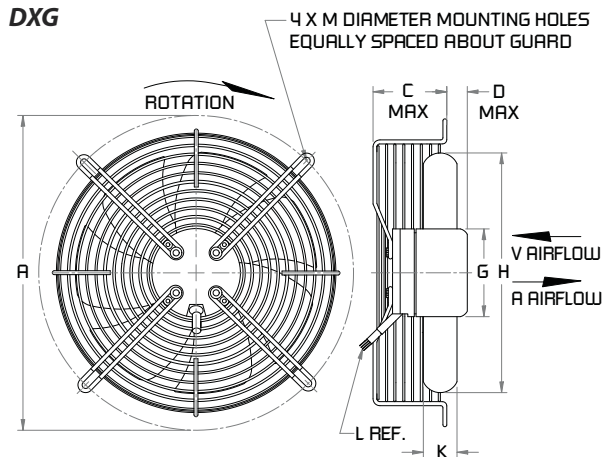


24 VDC		PERFORMANCE			
PART NUMBER	CFM	RPM	WATTS	AMPS	dBA
DXG200-2DC-24	643	2750	45	1.9	60
DXG250-2DC-24	1190	2650	105	4.4	70
DXG300-2DC-24	1441	1800	115	4.8	65
48 VDC		PERFORMANCE			
DXG200-2DC-48	643	2750	45	0.9	60
DXG250-2DC-48	1190	2650	105	2.2	70
DXG300-2DC-48	1441	1800	115	2.4	65

24 VDC		PERFORMANCE			
PART NUMBER	CFM	RPM	WATTS	AMPS	dBA
DXP200-2DC-24	643	2750	45	1.9	64
DXP250-2DC-24	1190	2650	105	4.4	74
DXP300-2DC-24	1441	1800	115	4.8	70
48 VDC		PERFORMANCE			
DXP200-2DC-48	643	2750	45	0.9	64
DXP250-2DC-48	1190	2650	105	2.2	74
DXP300-2DC-48	1441	1800	115	2.4	70

INSERT G OR P AS REQUIRED (\_).  
FOR OTHER VOLTAGES, CONSULT FACTORY.  
ACTUAL PERFORMANCE MAY VARY BY APPLICATION.

### DXG

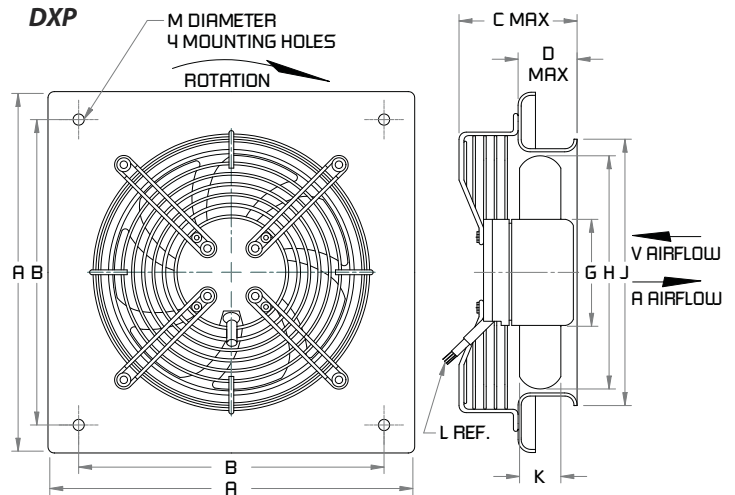


AIRFLOW DIRECTION TO BE INDICATED BY CUSTOMER.

MODEL	DIMENSIONS IN INCHES*							
	A	C	D	G	H	K	L	M
DXG200-2DC	10.2	2.6	1.2	3.6	7.9	1.4	17.7	0.3
DXG250-2DC	12.7	3.0	0.8	3.6	9.8	1.4	17.7	0.3
DXG300-2DC	14.2	3.2	1.6	3.6	11.8	2.6	17.7	0.3

\*DO NOT USE FOR CONSTRUCTION

### DXP



AIRFLOW DIRECTION TO BE INDICATED BY CUSTOMER.

MODEL	DIMENSIONS IN INCHES*									
	A	B	C	D	G	H	J	K	L	M
DXP200-2DC	12.2	10.2	3.9	2.0	3.6	7.9	9.1	1.4	17.7	0.3
DXP250-2DC	14.6	12.6	3.2	3.0	3.6	9.8	11.0	1.4	17.7	0.3
DXP300-2DC	16.9	15.0	3.8	3.6	3.6	11.8	14.0	2.6	17.7	0.4

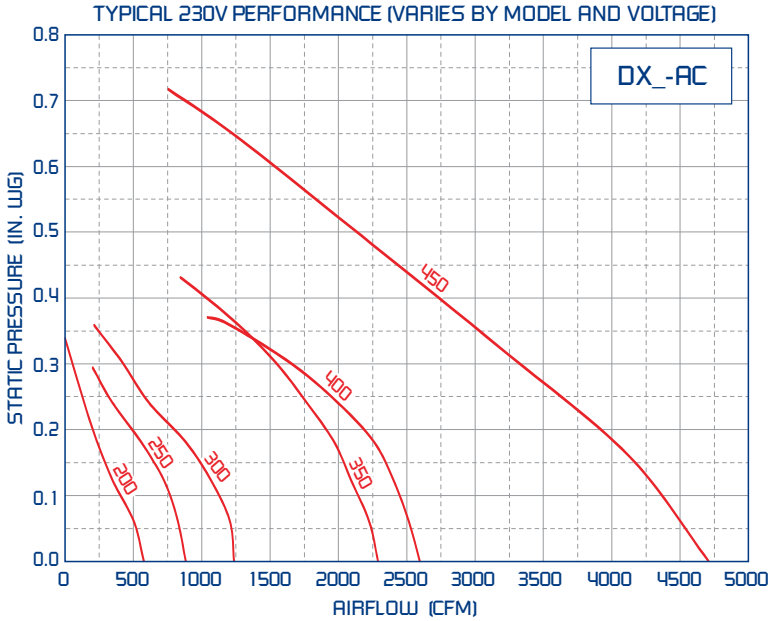
CONSULT FACTORY FOR CERTIFIED PRINTS

# AC MOTORIZED IMPELLERS

## DXG & DXP MOTORIZED AXIAL FANS (AC)

### FEATURES & BENEFITS

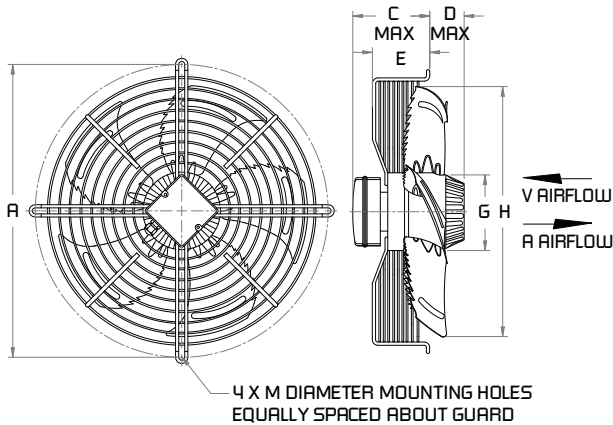
- Excellent air and sound performance characteristics
- 100% speed controllable
- Easily accessible junction box with pre-wired capacitor
- Class F insulation; -30 to 60 C
- Single and three phase available
- UL approved
- RoHS compliant
- Capacities to 4,709 cfm



115V - 1 PHASE				60 Hz PERFORMANCE		
PART NUMBER	CFM	RPM	WATTS	AMPS	dBA	CAPACITOR
DX_200-2AC-11	576	2200	74	0.6	57	8 X 250V
DX_250-2AC-11	882	2650	120	1.0	62	10 X 250V
DX_300-2AC-11	1236	2700	155	1.4	65	16 X 250V
DX_350-4AC-11	2000	1500	260	2.2	64	24 X 250V
DX_400-4AC-11	2590	1500	330	2.9	68	22 X 250V
230V - 1 PHASE				60 Hz PERFORMANCE		
DX_200-2AC-12	576	2200	75	0.3	57	2 X 400V
DX_250-2AC-12	882	2600	130	0.6	62	3 X 400V
DX_300-2AC-12	1236	2600	155	0.7	65	4 X 400V
DX_350-4AC-12	2290	1550	250	1.2	64	6 X 400V
DX_400-4AC-12	2595	1550	360	1.7	68	7 X 400V
DX_450-4AC-12	4709	1450	725	3.2	76	16 X 400V

INSERT G OR P AS REQUIRED (\_).  
FOR OTHER VOLTAGES, CONSULT FACTORY.  
ACTUAL PERFORMANCE MAY VARY BY APPLICATION.

### DXG

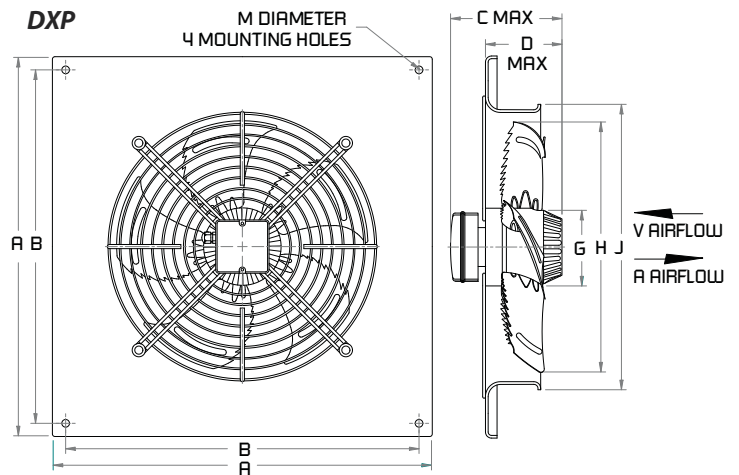


AIRFLOW DIRECTION TO BE INDICATED BY CUSTOMER.

MODEL	DIMENSIONS IN INCHES*								ROTATION
	A	C	D	E	G	H	M		
DXG200-2AC	10.2	4.1	0.8	2.6	3.6	7.9	0.3	CW	
DXG250-2AC	12.7	4.6	0.8	3.0	3.6	9.8	0.3	CW	
DXG300-2AC	14.2	4.4	1.3	3.1	3.6	11.8	0.3	CW	
DXG350-4AC	16.6	4.8	2.6	3.1	4.0	13.8	0.4	CCW	
DXG400-4AC	18.5	5.1	2.8	3.5	4.0	15.7	0.4	CW	
DXG450-4AC	20.6	5.2	2.6	3.5	4.0	17.7	0.4	CW	

\*DO NOT USE FOR CONSTRUCTION

### DXP



AIRFLOW DIRECTION TO BE INDICATED BY CUSTOMER.

MODEL	DIMENSIONS IN INCHES*									ROTATION
	A	B	C	D	G	H	J	M		
DXP200-2AC	12.2	10.2	4.9	2.6	3.6	7.9	9.1	0.3	CW	
DXP250-2AC	14.6	12.6	5.3	3.0	3.6	9.8	11.0	0.3	CW	
DXP300-2AC	16.9	15.0	5.7	3.3	3.6	11.8	13.2	0.4	CW	
DXP350-4AC	19.1	17.1	7.4	4.1	4.0	13.8	15.0	0.4	CCW	
DXP400-4AC	21.3	19.3	7.9	4.7	4.0	15.7	16.9	0.4	CW	
DXP450-4AC	22.6	20.5	7.8	3.3	4.0	17.7	18.9	0.4	CW	

CONSULT FACTORY FOR CERTIFIED PRINTS

## AMP MOTORIZED AXIAL PANEL FANS (AC)

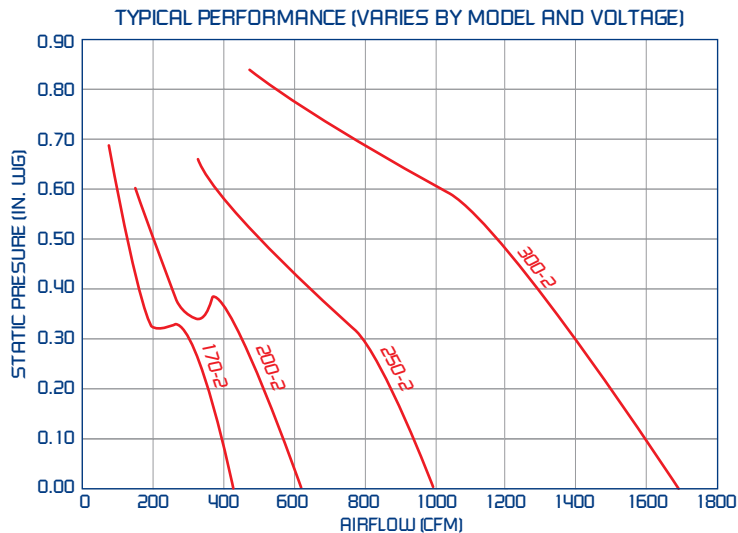
### FEATURES & BENEFITS

- Heavy gauge steel painted black
- 115 or 230 VAC single phase 60 Hz operation
- For 50 Hz operation or other voltages - consult factory
- Speed controllable, single phase PSC motor
- IP44 motor protection, Class F insulation
- Permissible ambient temperature range: -40 F to 158 F
- UL & CE approved
- Matching capacitors available
- Standard airflow configuration
- For reverse airflow configuration - consult factory



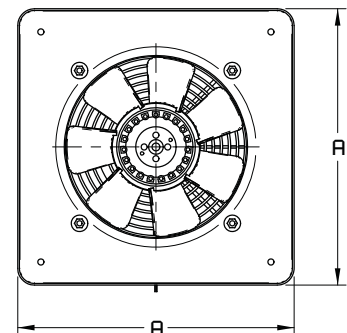
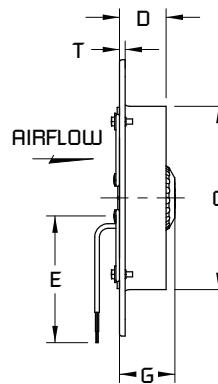
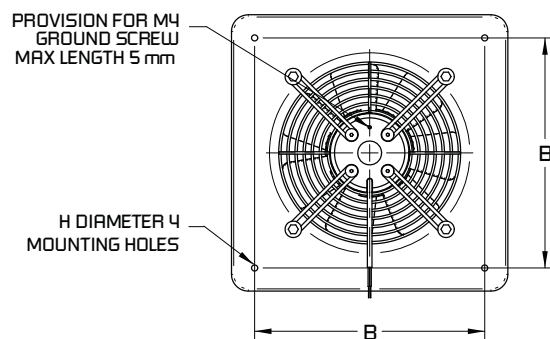
### APPLICATIONS

- Electronic cabinet cooling
- Air filtration
- Clean room modules
- Military HRAC
- Heat exchangers
- Pharmaceutical equipment



115V		60 Hz PERFORMANCE				
PART NUMBER	CFM	RPM	dBA	WATTS	AMPS	CAPACITOR
AMP200-2-11	600	2665	66	74	0.6	6 x 250V
AMP250-2-11	1120	2665	70	147	1.2	12 x 250V
AMP300-2-11	1590	2905	76	225	1.9	20 x 250V
230V		60 Hz PERFORMANCE				
AMP200-2-12	618	2710	66	85	0.4	2 x 440V
AMP250-2-12	995	3115	70	147	0.7	4 x 500V
AMP300-2-12	1695	2940	76	261	1.1	6 x 440V

FOR OTHER VOLTAGES, CONSULT FACTORY.  
ACTUAL PERFORMANCE MAY VARY BY APPLICATION.



MODEL	DIMENSIONS IN INCHES*							
	A	B	C	D	E	G	H	T
AMP200-2	12.3	10.3	8.2	2.1	19.0	2.5	0.3	0.3
AMP250-2	14.6	12.6	10.1	2.1	19.0	2.9	0.3	0.3
AMP300-2	17.0	15.0	12.1	3.2	19.0	3.8	0.3	0.3

\*DO NOT USE FOR CONSTRUCTION

CONSULT FACTORY FOR CERTIFIED PRINTS

# AC MOTORIZED IMPELLERS

## AMR MOTORIZED AXIAL RING FANS (AC)

### FEATURES & BENEFITS

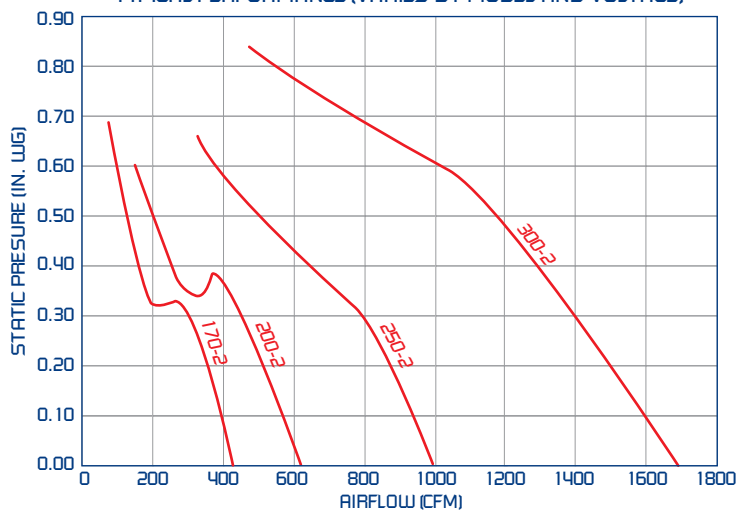
- Heavy gauge steel painted black, guard included
- 115 or 230 VAC single phase 60 Hz operation
- For 50 Hz operation or other voltages - consult factory
- Speed controllable, single phase PSC motor
- IP44 motor protection, Class F insulation
- Permissible ambient temperature range: -40 F to 158 F
- UL & CE approved
- Matching capacitors available
- Standard airflow configuration
- For reverse airflow configuration - consult factory



### APPLICATIONS

- Electronic cabinet cooling
- Air filtration
- Clean room modules
- Military HRAC
- Heat exchangers
- Pharmaceutical equipment

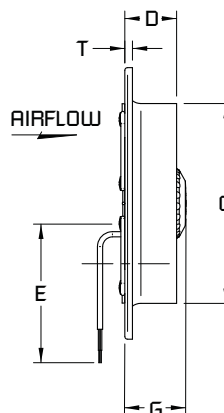
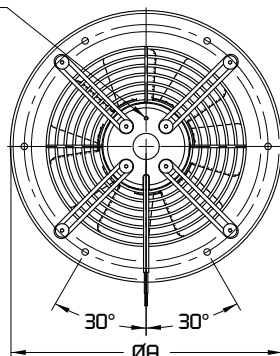
TYPICAL PERFORMANCE (VARIES BY MODEL AND VOLTAGE)



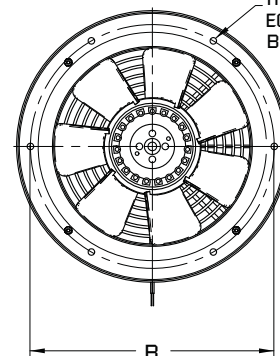
115V		60 Hz PERFORMANCE				
PART NUMBER	CFM	RPM	dBA	WATTS	AMPS	CAPACITOR
AMR200-2-11	600	2665	66	74	0.62	6 x 250V
AMR250-2-11	1120	2665	70	147	1.20	12 x 250V
AMR300-2-11	1590	2905	76	225	1.88	20 x 250V
230V		60 Hz PERFORMANCE				
AMR200-2-12	618	2710	66	85	0.4	2 x 440V
AMR250-2-12	995	3115	70	147	0.7	4 x 500V
AMR300-2-12	1695	2940	76	261	1.1	6 x 440V

FOR OTHER VOLTAGES, CONSULT FACTORY.  
ACTUAL PERFORMANCE MAY VARY BY APPLICATION.

PROVISION FOR M4  
GROUND SCREW  
MAX LENGTH 5 mm



H DIAMETER 6 HOLES  
EQUALLY SPACED ABOUT  
B BOLT CIRCLE DIAMETER



DIMENSIONS IN INCHES\*

MODEL	A	B	C	D	E	G	H	T
AMR200-2	11.0	9.9	8.1	2.1	19.0	2.5	0.3	0.3
AMR250-2	12.6	11.6	9.9	2.2	19.0	2.9	0.3	0.3
AMR300-2	15.6	15.0	12.1	3.3	19.0	3.8	0.3	0.4

\*DO NOT USE FOR CONSTRUCTION

CONSULT FACTORY FOR CERTIFIED PRINTS

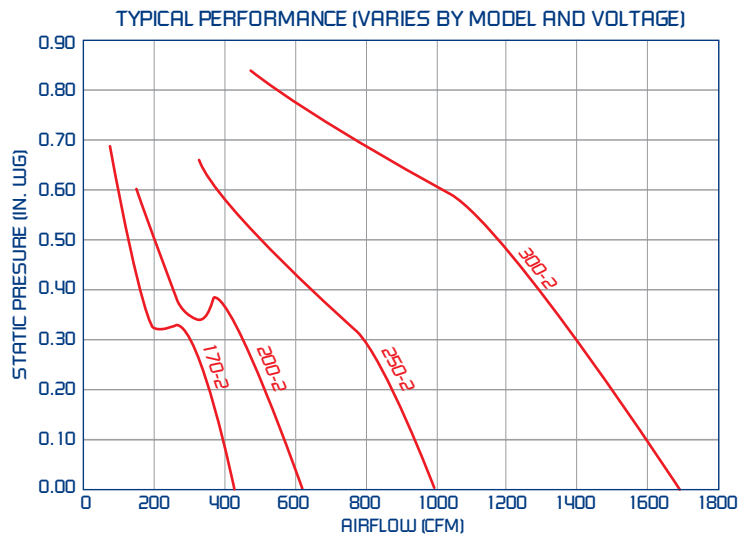
## AMI MOTORIZED AXIAL IMPELLERS (AC)

### FEATURES & BENEFITS

- Heavy gauge steel painted black
- 115 or 230 VAC single phase 60 Hz operation
- For 50 Hz operation or other voltages - consult factory
- Speed controllable, single phase PSC motor
- IP44 motor protection, Class F insulation
- Permissible ambient temperature range: -40 F to 158 F
- UL & CE approved
- Matching capacitors available
- Standard airflow configuration
- For reverse airflow configuration - consult factory

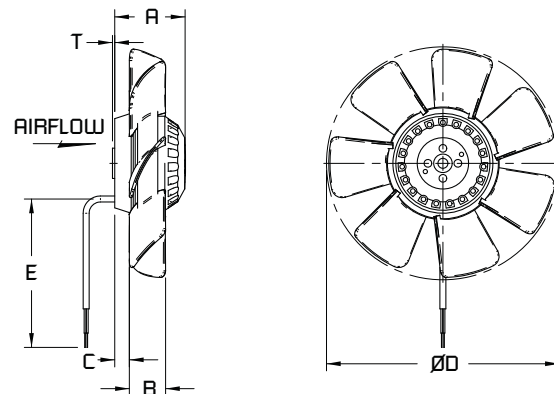
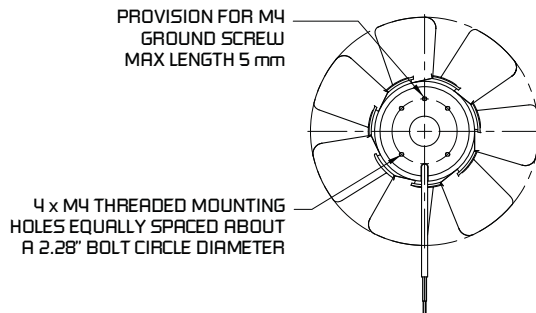
### APPLICATIONS

- Electronic cabinet cooling
- Air filtration
- Clean room modules
- Military HRAC
- Heat exchangers
- Pharmaceutical equipment



115V		60 Hz PERFORMANCE				
PART NUMBER	CFM	RPM	dBA	WATTS	AMPS	CAPACITOR
AMI170-2-11	380	3035	65	60	0.5	6 x 250V
AMI200-2-11	600	2665	66	74	0.6	6 x 250V
AMI250-2-11	1120	2665	70	147	1.2	12 x 250V
AMI300-2-11	1590	2905	76	225	1.9	20 x 250V
230V		60 Hz PERFORMANCE				
AMI170-2-12	438	3085	65	68	0.3	2 x 440V
AMI200-2-12	620	2710	66	85	0.4	2 x 440V
AMI250-2-12	1060	3115	70	147	0.7	4 x 500V
AMI300-2-12	1700	2940	76	261	1.1	6 x 440V

FOR OTHER VOLTAGES, CONSULT FACTORY.  
ACTUAL PERFORMANCE MAY VARY BY APPLICATION.



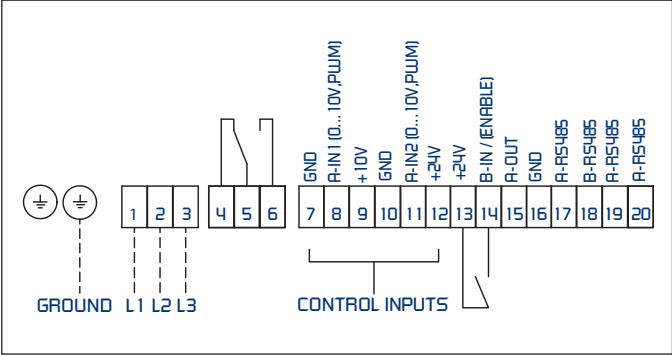
MODEL	DIMENSIONS IN INCHES*					
	A	B	C	D	E	T
AMI170-2	2.5	1.5	0.5	6.8	19.0	0.1
AMI200-2	2.5	1.5	0.5	8.0	19.0	0.1
AMI250-2	2.9	1.7	1.2	9.8	19.0	0.1
AMI300-2	3.8	1.3	1.1	11.6	19.0	0.1

\*DO NOT USE FOR CONSTRUCTION

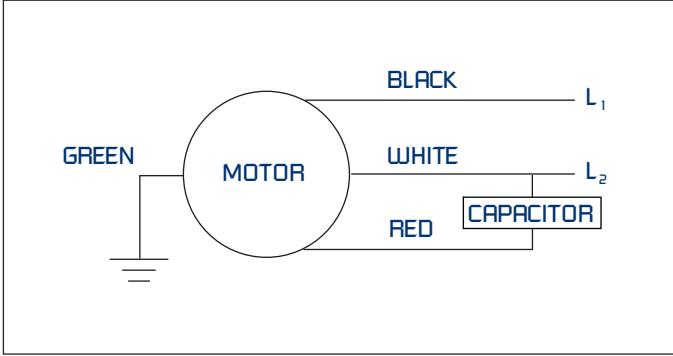
CONSULT FACTORY FOR CERTIFIED PRINTS

## WIRING DIAGRAMS

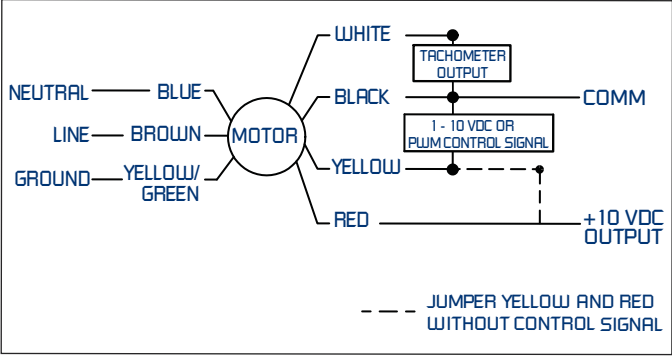
### TME, CEC (3 PHASE)



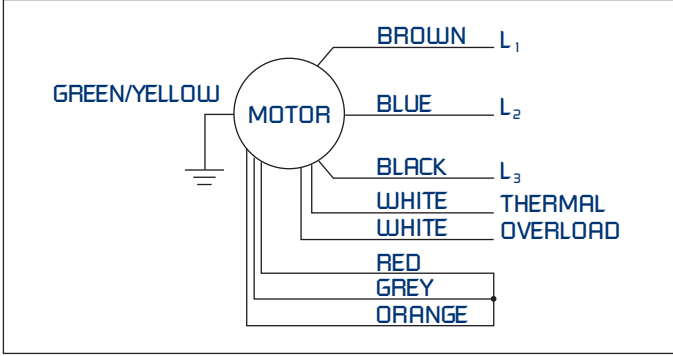
### XR



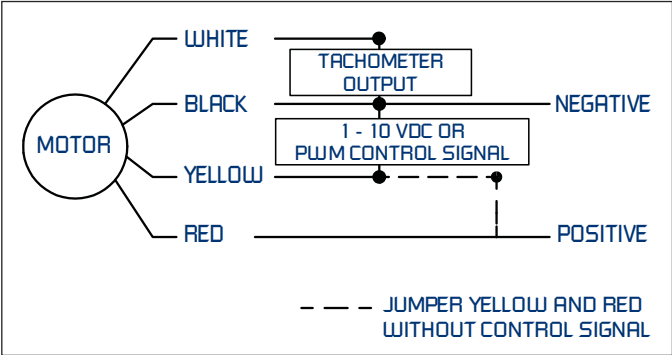
### EC, DXG-EC, DXP-EC



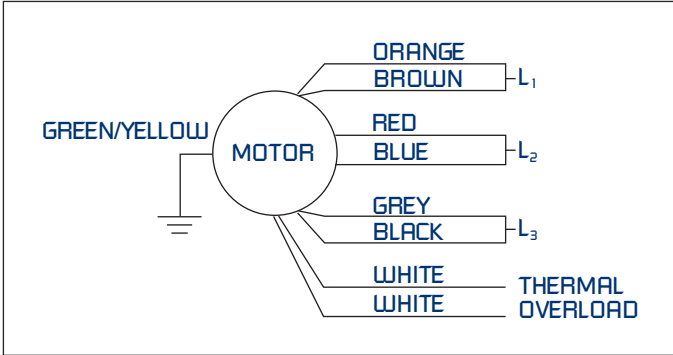
### TMA, TMK, RCM (460V, 3 PHASE)



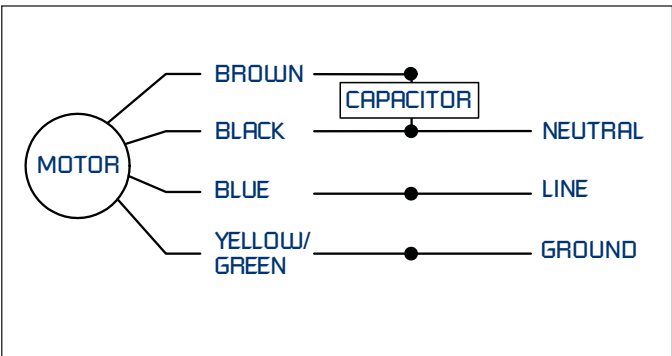
### DC, DXG-DC, DXP-DC



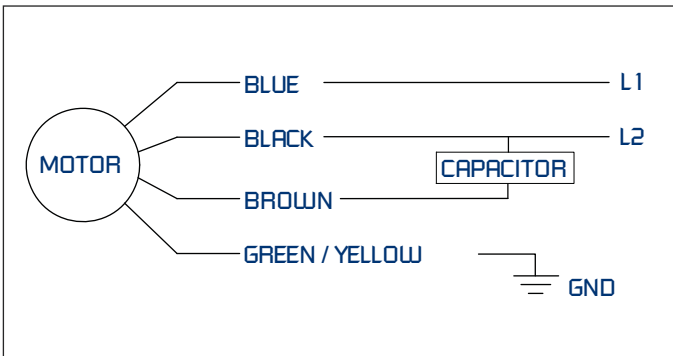
### TMA, TMK, RCM (230V, 3 PHASE)



### CMI, DXG-AC, DXP-AC



### AMP, AMR, AMI



WIRING DIAGRAMS ARE TYPICAL, CONSULT FACTORY FOR ACTUAL PRODUCT WIRING DIAGRAMS.



# CONTROLS

## SCN SINGLE PHASE AC CONTROLS

### FEATURES & BENEFITS

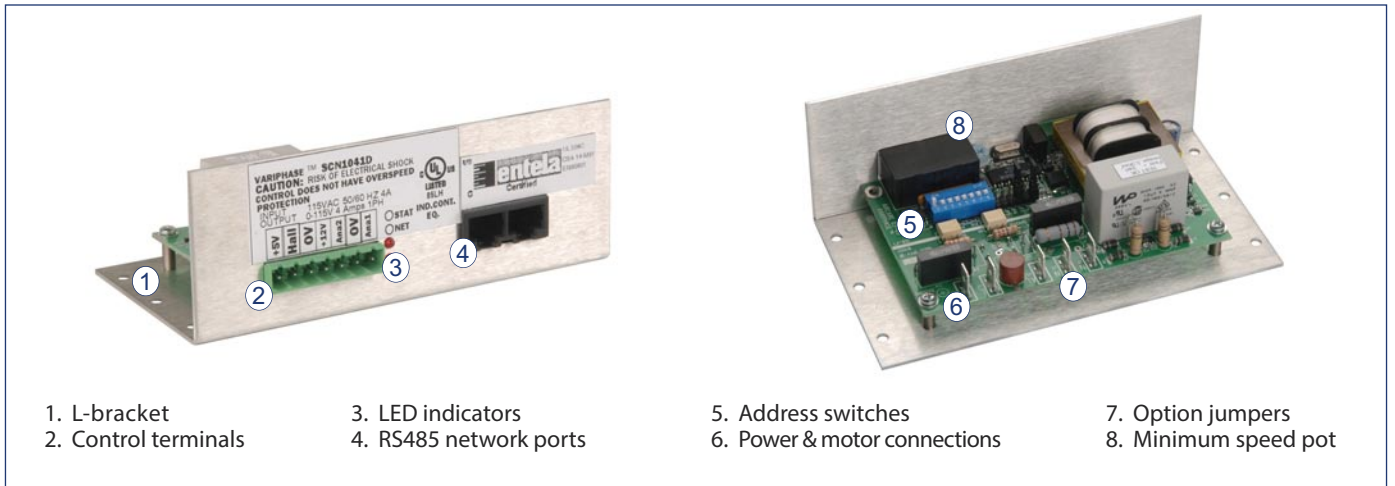
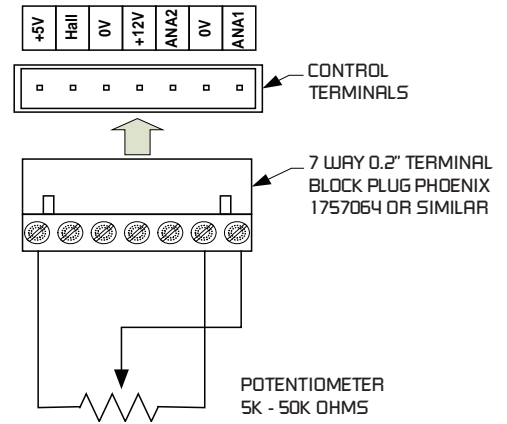
- Pre-configured to run with supplied potentiometer
- Pre-configured with soft start feature enabled
- Network compatible
- Adjustable minimum speed setting
- Closed loop control capable (temperature, pressure, etc.)

### APPLICATIONS

- Motorized impeller controls
- Motorized axial fan controls



.MODEL	VOLTAGE	AMPS
SCN1041D	115	4
SCN1042D	230	4
SCN1081D	115	8
SCN1082D	230	8
SCN1141D	115	14
SCN1142D	230	14
SCN1201D	115	20
SCN1202D	230	20



- 1. L-bracket
- 2. Control terminals
- 3. LED indicators
- 4. RS485 network ports

- 5. Address switches
- 6. Power & motor connections
- 7. Option jumpers
- 8. Minimum speed pot

## VFD THREE PHASE AC CONTROLS

### FEATURES & BENEFITS

- Integrated potentiometer
- Adjustable maximum & minimum speed setting
- Preset up to 15 speeds
- Network compatible
- EMI filter standard
- Temperature & pressure closed loop control capable
- Analog and digital input control
- RS-485 communication
- Single or three phase input power
- Password protection

### APPLICATIONS

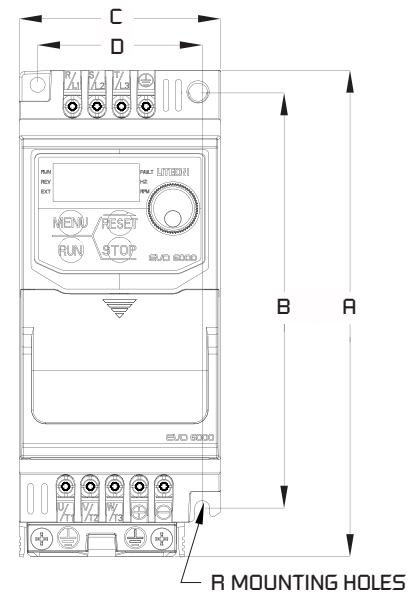
- Motorized impeller controls
- Motorized axial fan controls
- NEMA/IEC motor controls

### ACCESSORIES / OPTIONS

- Remote keypad
- Din mounting rail kit
- Grounding ring (NEMA & IEC motors only)



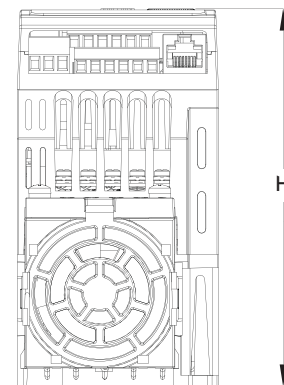
MODEL	PERFORMANCE			
	INPUT VOLTAGE - PHASE	OUTPUT		
		VOLTAGE - PHASE	AMPS	HP
VFD-0214-21-A	230V - 1	230V - 3	1.6	1/4
VFD-0412-21-A	230V - 1	230V - 3	2.5	1/2
VFD-0701-21-A	230V - 1	230V - 3	4.2	1
VFD-1502-21-B	230V - 1	230V - 3	7.5	2
VFD-2203-21-B	230V - 1	230V - 3	11	3
VFD-0214-23-A	230V - 3	230V - 3	1.6	1/4
VFD-0412-23-A	230V - 3	230V - 3	2.5	1/2
VFD-0701-23-A	230V - 3	230V - 3	4.2	1
VFD-1502-23-A	230V - 3	230V - 3	7.5	2
VFD-2203-23-B	230V - 3	230V - 3	11	3
VFD-3705-23-B	230V - 3	230V - 3	17	5
VFD-0412-43-A	460V - 3	460V - 3	1.5	1/2
VFD-0701-43-A	460V - 3	460V - 3	2.5	1
VFD-1502-43-A	460V - 3	460V - 3	4.2	2
VFD-2203-43-B	460V - 3	460V - 3	5.5	3
VFD-3705-43-B	460V - 3	460V - 3	8.2	5

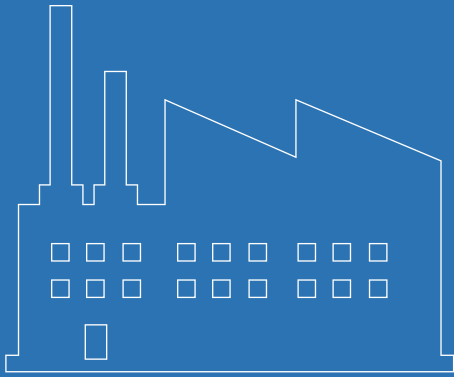


MODEL	DIMENSIONS IN INCHES*					
	A	B	C	D	H	R
VFD-XXXX-XX-A	6.9	6.0	2.8	2.3	5.3	0.2
VFD-XXXX-XX-B	6.9	6.4	3.9	3.5	5.3	0.2

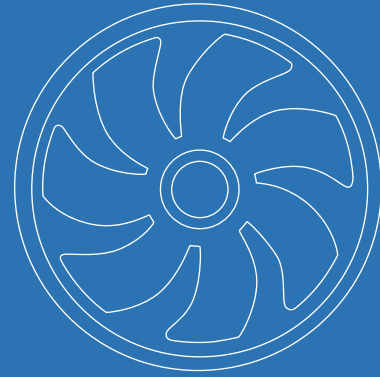
\*'X' DENOTES DIGIT IN MODEL NUMBER

\*DO NOT USE FOR CONSTRUCTION  
CONSULT FACTORY FOR CERTIFIED PRINTS





***Industrial Fans  
& Blowers***



***OEM Solutions  
& Custom Fans***



***Commercial Fans  
& Dampers***



***Residential Fans &  
Air Purifiers***



**OEM Solutions & Custom Fans**

Continental Fan Manufacturing Inc.  
203 Eggert Road  
Buffalo, New York 14215

Continental Fan Canada Inc.  
12-205 Matheson Blvd E  
Mississauga, Ontario L4Z 3E3

Continental Fan Manufacturing Inc.  
6274 Executive Blvd.  
Dayton, Ohio 45424

1-800-779-4021 • [www.continentalfan.com](http://www.continentalfan.com)

Distributed by:

OEM-CAT-1703