



**CFM**  
CONTINENTAL FAN

*better AIRFLOW by DESIGN™*

# ***OEM Solutions & Custom Fans***

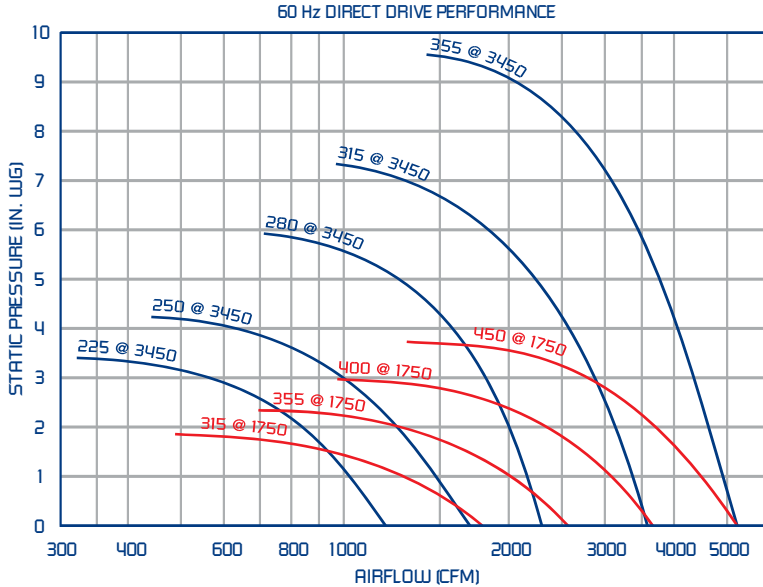
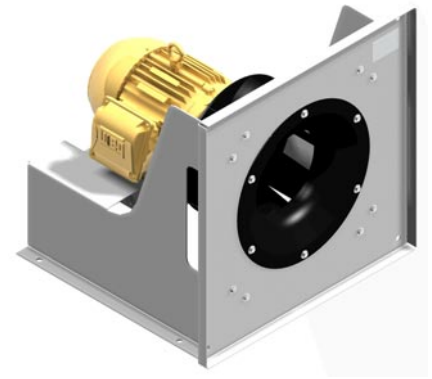


# PLENUM & PLUG FANS

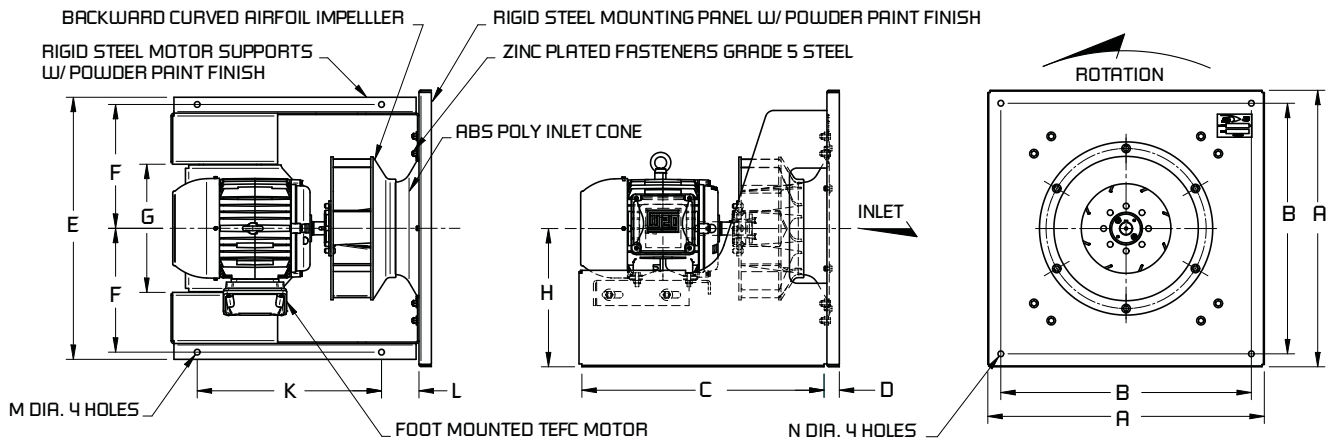
## TEK PLENUM FANS

### FEATURES & BENEFITS

- High efficiency, backward curved airfoil wheel
- Injection molded GRP polyamide TEK wheel
- Modular construction, compact design
- OEM custom configurations available
- Horizontal and vertical applications
- Non-overloading power characteristics
- TEFC industrial duty motors
- Supply and return air applications



MOTOR CHART		
MODEL	RPM	MTR HP
TEK225H-H2	3450	1/2
TEK250H-H2	3450	3/4
TEK280H-H2	3450	1-1/2
TEK315H-H4	1750	1/2
TEK315H-H2	3450	3
TEK355H-H4	1750	3/4
TEK355H-H2	3450	5
TEK400H-H4	1750	1-1/2
TEK450H-H4	1750	2



MODEL	DIMENSIONS IN INCHES*											
	A	B	C	D	E	F	G	H	K	L	M	N
TEK225H-H2	20.0	17.8	19.3	1.08	18.4	8.6	11.0	10.0	14.0	3.3	0.5	0.5
TEK250H-H2	20.0	17.8	19.3	1.08	18.4	8.6	11.0	10.0	14.0	3.3	0.5	0.5
TEK280H-H2	20.0	17.8	19.3	1.08	18.4	8.6	11.0	10.0	14.0	3.3	0.5	0.5
TEK315H-H4	24.0	21.8	21.5	1.08	22.8	10.8	11.0	12.0	16.0	3.3	0.5	0.5
TEK315H-H2	24.0	21.8	21.5	1.08	22.8	10.8	11.0	12.0	16.0	3.3	0.5	0.5
TEK355H-H4	24.0	21.8	21.5	1.08	22.8	10.8	11.0	12.0	16.0	3.3	0.5	0.5
TEK355H-H2	24.0	21.8	21.5	1.08	22.8	10.8	11.0	12.0	16.0	3.3	0.5	0.5
TEK400H-H4	28.0	25.8	24.0	1.08	26.8	12.5	11.0	14.0	18.0	4.0	0.5	0.5
TEK450H-H4	28.0	25.8	24.0	1.08	26.8	12.5	11.0	14.0	18.0	4.0	0.5	0.5

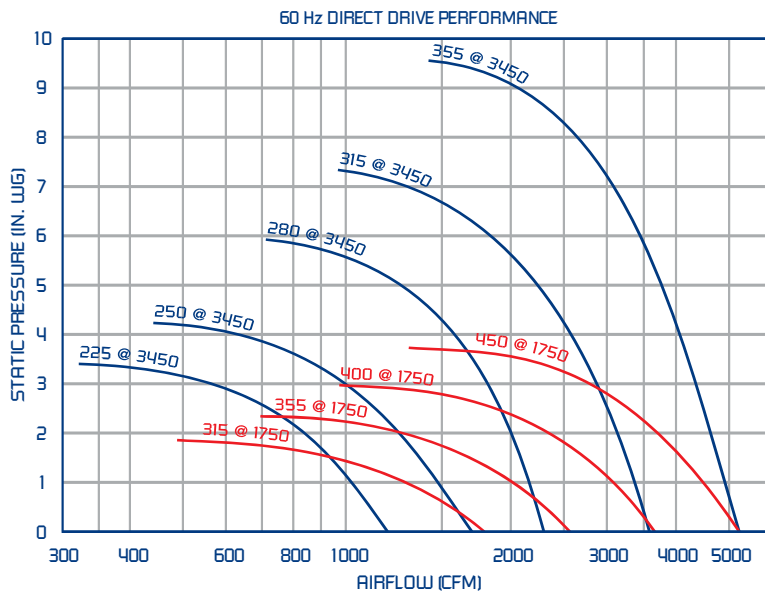
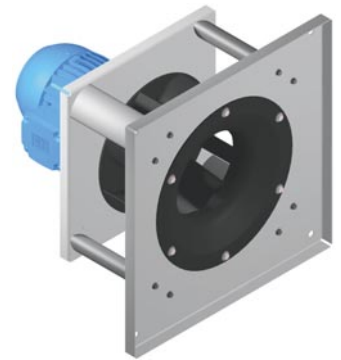
\*DO NOT USE FOR CONSTRUCTION

CONSULT FACTORY FOR CERTIFIED PRINTS

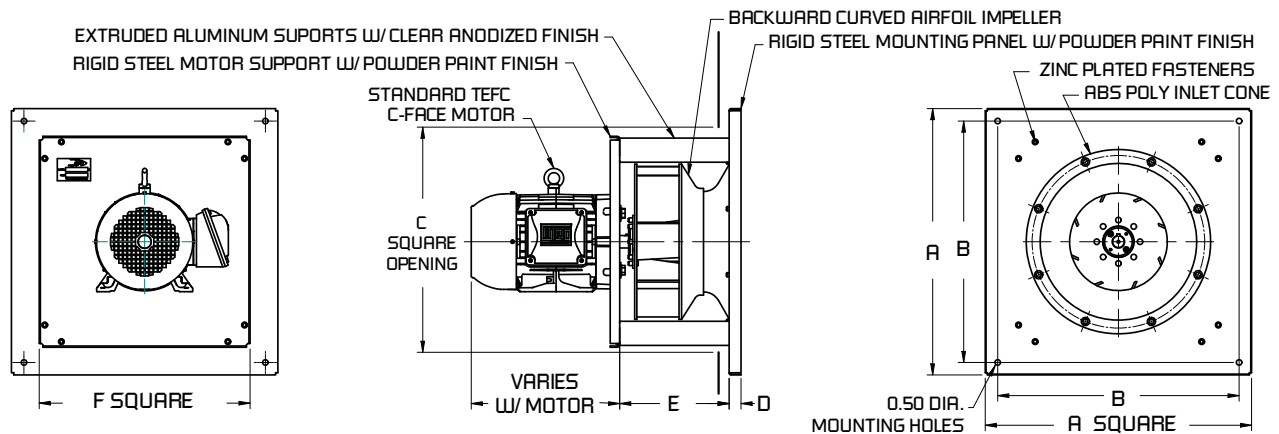
## TEK PLUG FANS

### FEATURES & BENEFITS

- High efficiency, backward curved airfoil wheel
- Injection molded GRP polyamide TEK wheel
- Modular construction, compact design
- OEM custom configurations available
- Horizontal and vertical applications
- Non-overloading power characteristics
- TEFC face mounted motors
- Supply and return air applications



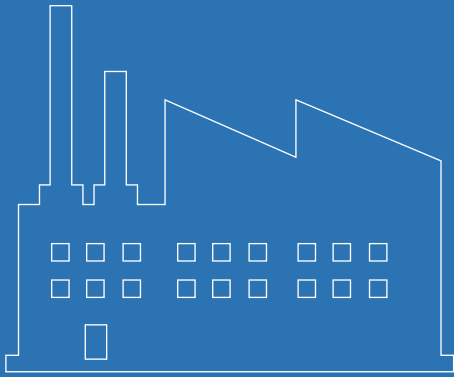
MOTOR CHART		
MODEL	RPM	MTR HP
TEK225H-V2	3450	1/2
TEK250H-V2	3450	3/4
TEK280H-V2	3450	1-1/2
TEK315H-V4	1750	1/2
TEK315H-V2	3450	3
TEK355H-V4	1750	3/4
TEK355H-V2	3450	5
TEK400H-V4	1750	1-1/2
TEK450H-V4	1750	2



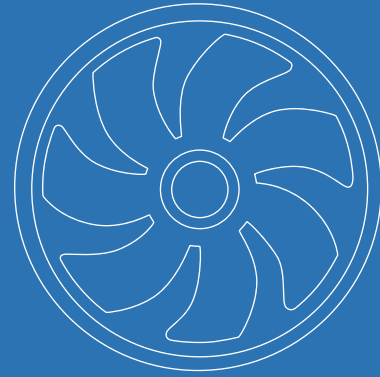
MODEL	DIMENSIONS IN INCHES*					
	A	B	C	D	E	F
TEK225H-V2	20.0	17.8	14.0	1.1	6.4	13.0
TEK250H-V2	20.0	17.8	15.0	1.1	7.1	14.0
TEK280H-V2	20.0	17.8	16.0	1.1	7.9	15.0
TEK315H-V4	24.0	21.8	17.5	1.1	8.6	17.0
TEK315H-V2	24.0	21.8	17.5	1.1	8.6	17.0
TEK355H-V4	24.0	21.8	19.5	1.1	9.5	19.0
TEK355H-V2	24.0	21.8	19.5	1.1	9.5	19.0
TEK400H-V4	28.0	25.8	20.5	1.1	10.5	20.0
TEK450H-V4	28.0	25.8	24.0	1.1	11.7	23.6

\*DO NOT USE FOR CONSTRUCTION

CONSULT FACTORY FOR CERTIFIED PRINTS



***Industrial Fans  
& Blowers***



***OEM Solutions  
& Custom Fans***



***Commercial Fans  
& Dampers***



***Residential Fans &  
Air Purifiers***



# OEM Solutions & Custom Fans

Continental Fan Manufacturing Inc.  
203 Eggert Road  
Buffalo, New York 14215

Continental Fan Canada Inc.  
12-205 Matheson Blvd E  
Mississauga, Ontario L4Z 3E3

Continental Fan Manufacturing Inc.  
6274 Executive Blvd.  
Dayton, Ohio 45424

1-800-779-4021 • [www.continentalfan.com](http://www.continentalfan.com)

Distributed by:

OEM-CAT-1703