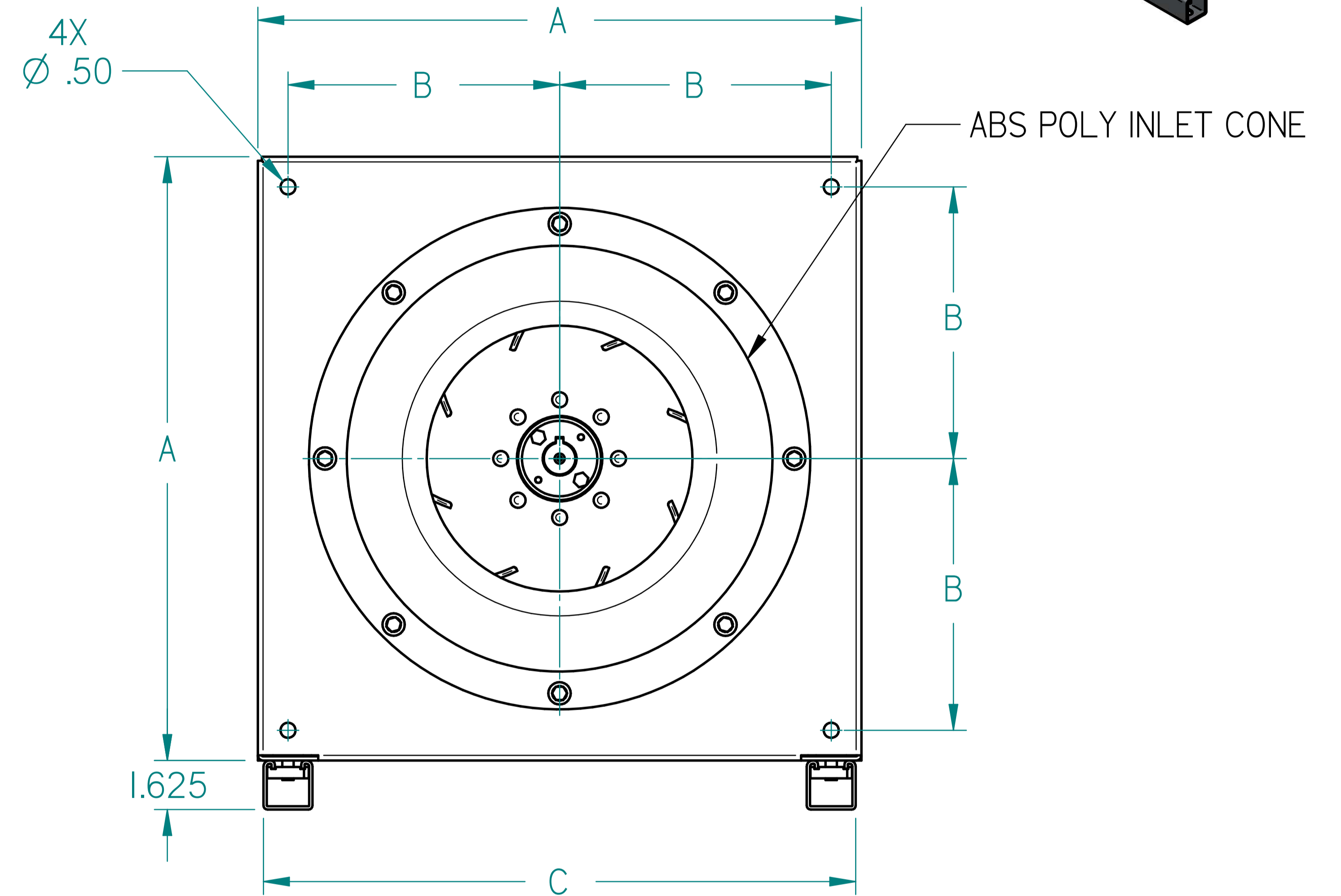
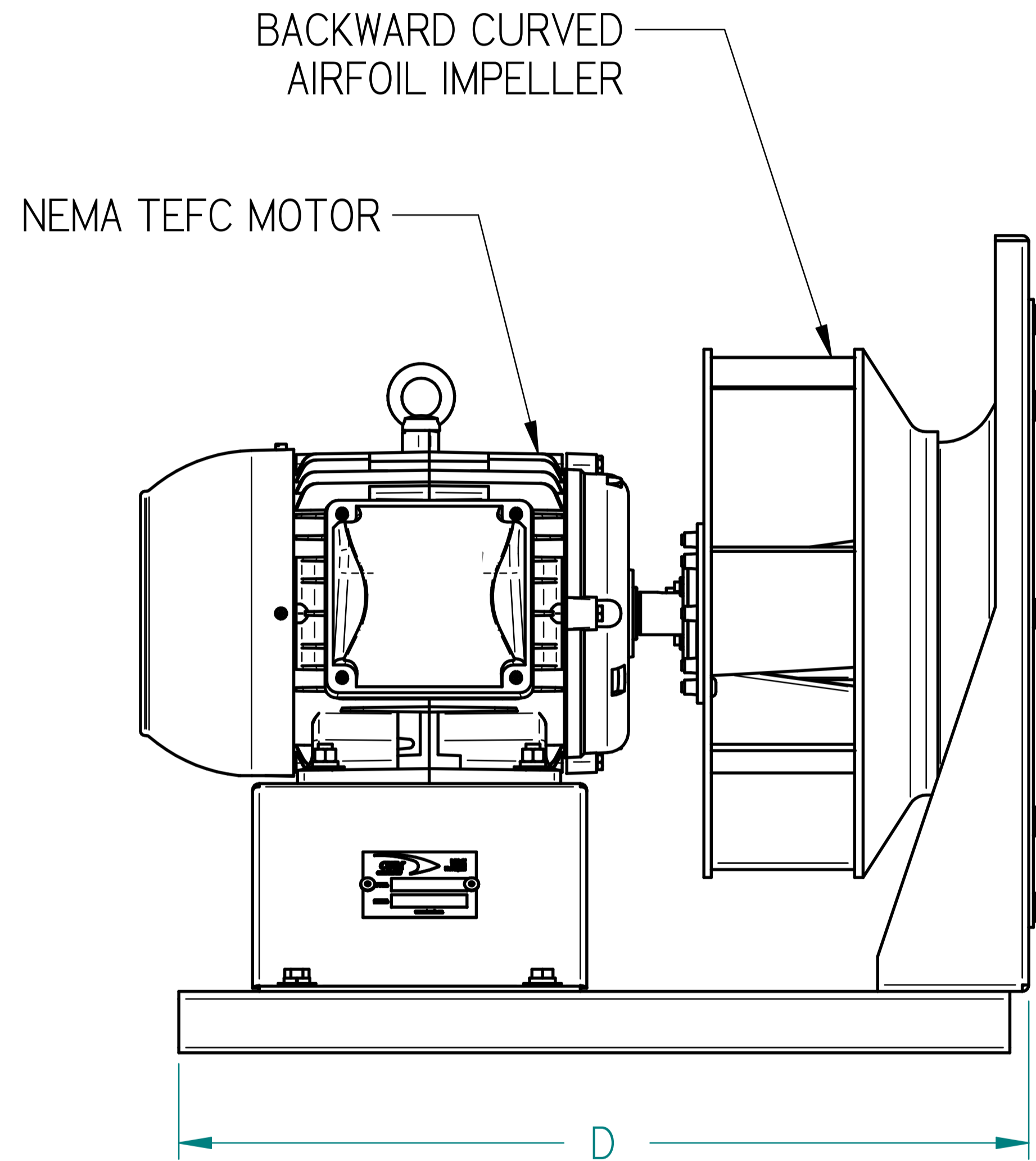
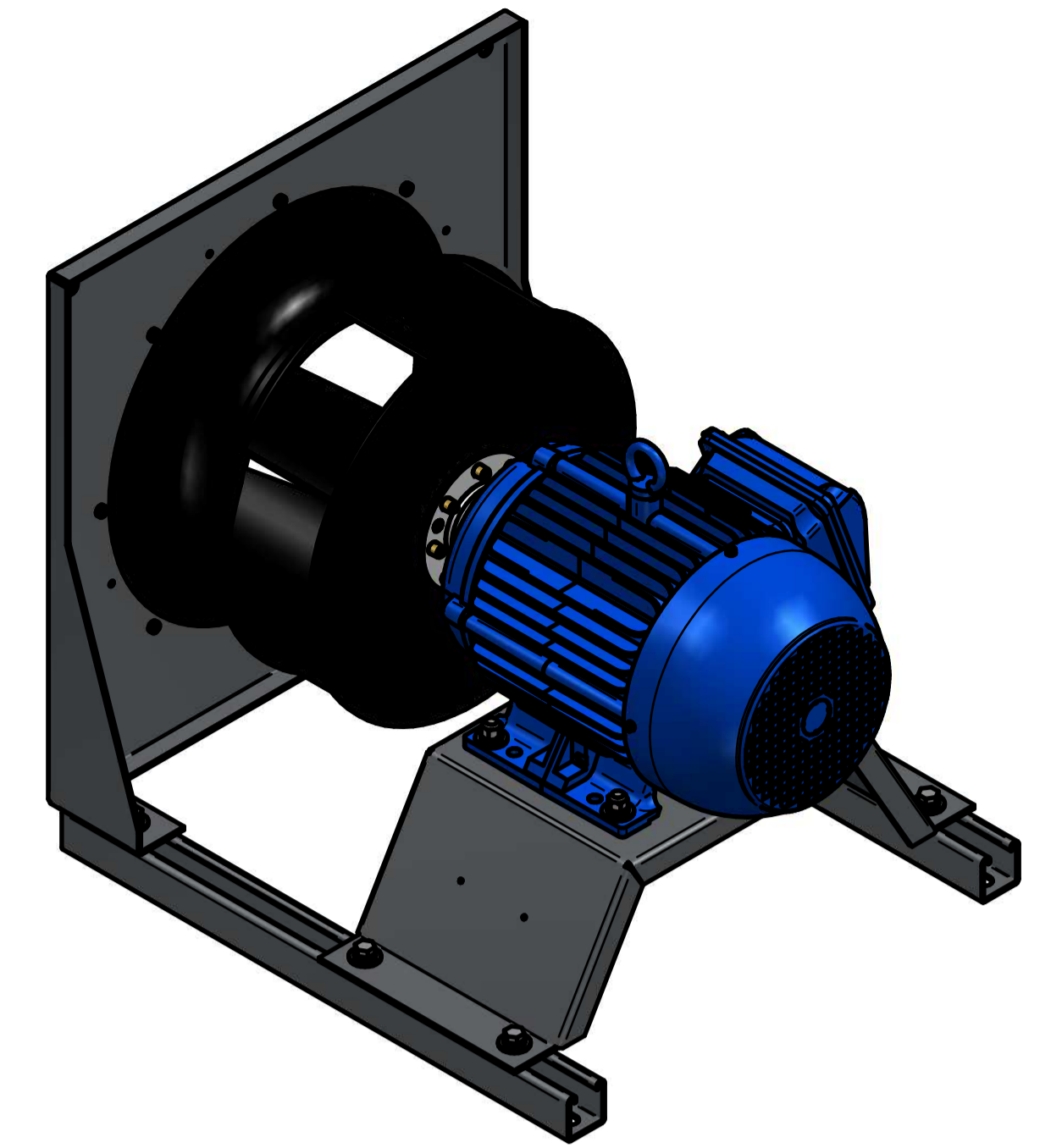
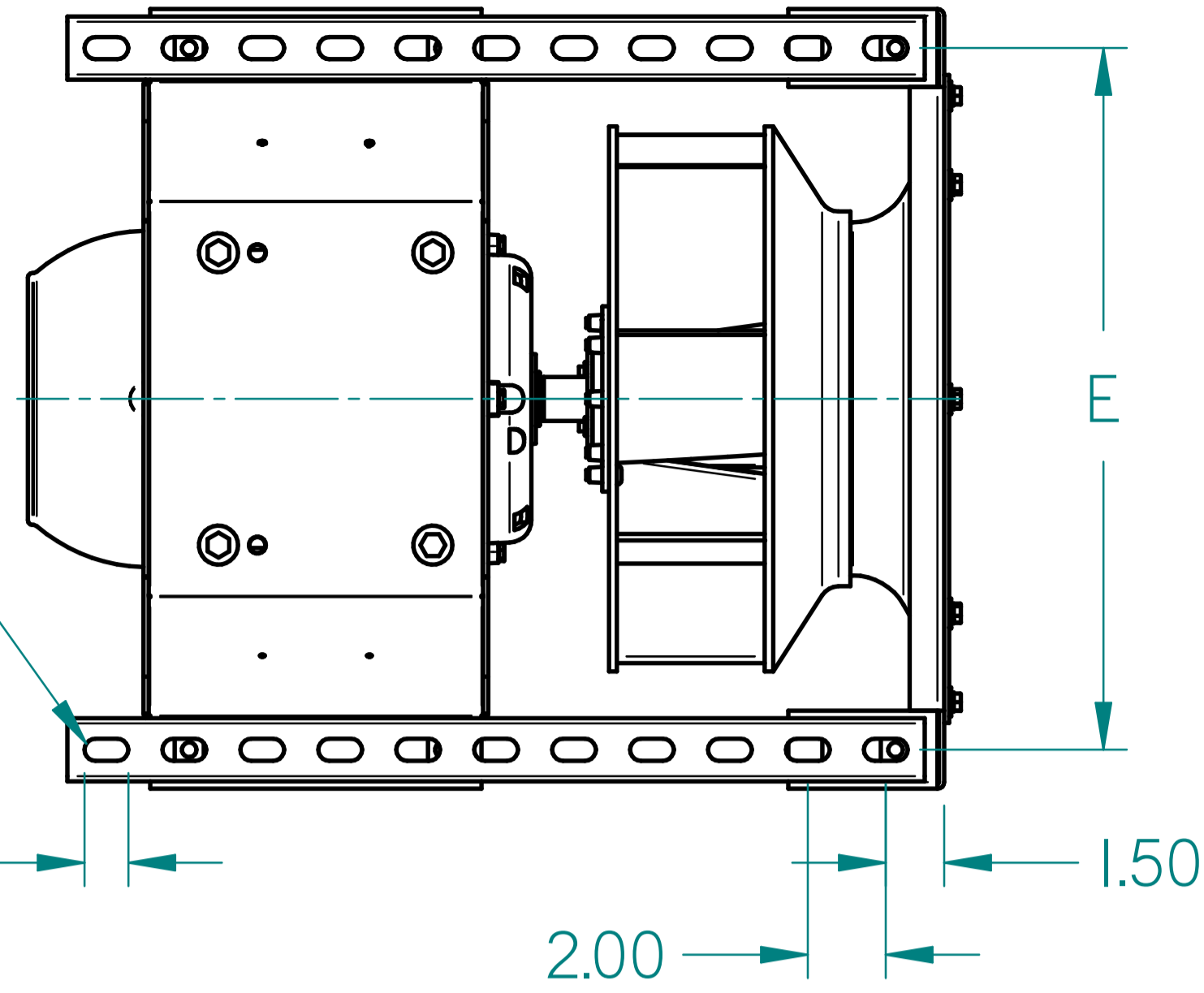


SLOTS FOR 3/8"
FAN MOUNTING
HARDWARE



MODEL	A	B	C	D	E
TEK225H-H2	20.00	9.00	19.62	22.50	18.00
TEK250H-H2	20.00	9.00	19.62	22.50	18.00
TEK280H-H2	20.00	9.00	19.62	22.50	18.00
TEK315H-H4	20.00	9.00	19.62	22.50	18.00
TEK315H-H2	20.00	9.00	19.62	22.50	18.00
TEK355H-H4	20.00	9.00	19.62	22.50	18.00
TEK355H-H2	20.00	9.00	19.62	22.50	18.00
TEK400H-H4	30.00	13.50	29.62	28.50	28.00
TEK400H-H2	30.00	13.50	29.62	28.50	28.00
TEK450H-H4	30.00	13.50	29.62	28.50	28.00
TEK500H-H4	30.00	13.50	29.62	28.50	28.00
TEK560H-H4	30.00	13.50	29.62	28.50	28.00

GALVANIZED STEEL INLET PANEL,
MOTOR SUPPORT AND MOUNTING RAILS

DIMENSIONS SUBJECT TO CHANGE WITHOUT NOTICE.
DRAWING NOT TO BE USED FOR CONSTRUCTION.

REV.	REVISION NOTE	DATE	BY
10			
09			
08			
07			
06			
05			
04			
03			
02			
01			

Better Airflow By Design

TITLE

TEK000H-H
TEK PLENUM FAN

DESIGNED BY: CUNRAU APPROVED BY: DATE: 05/04/2020 REV: 00