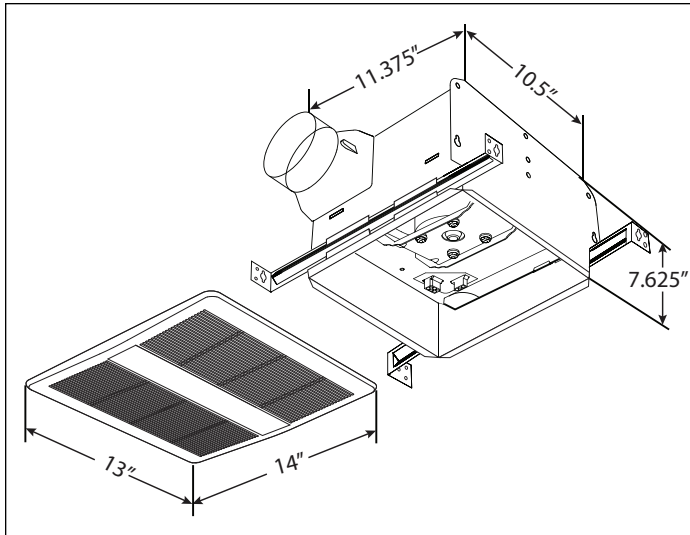


**MODEL: TF TRANQUIL BATHROOM FANS**

TF Tranquil bathroom fans offer whisper-quiet exhaust (under 1 sone). The built-in damper prevents a backdraft, keeping tempered air in a home when the fan is not operating.



Model	TF80	TF110
Air Volume (cfm @ 0.1" SP)	80	110
Air Volume (cfm @ 0.25" SP)	58	100
Noise (Sones)	0.4	0.9
Power Consumption (W)	25	33
Power Rating (V/Hz)	120V / 60 Hz	120V / 60 Hz
Duct Diameter (In.)	4 & 6	4 & 6



**CONSTRUCTION**

- Galvanized steel housing
- Clean, simple grille design
- Double hanger mounting brackets adjust to 24" span
- Built-in backdraft damper
- Available to fit duct sizes 4" & 6"
- TF110 is HVI certified and Energy Star qualified for 6" duct only

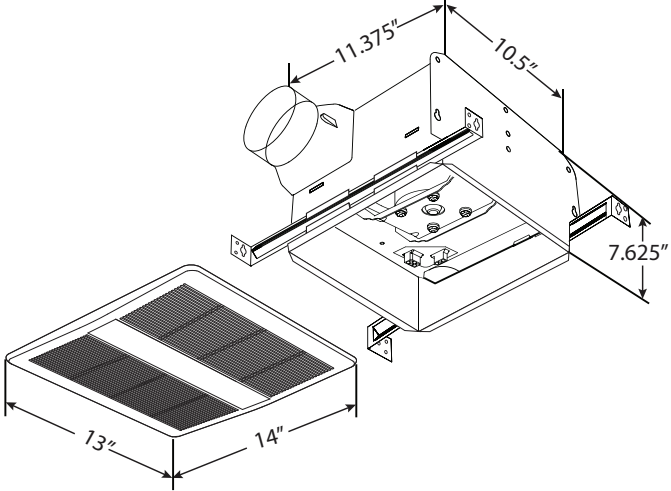
**MOTORS**

- Efficient AC motor
- Single phase
- 120V, 60 Hz
- Automatic reset thermal overload protection


PROJECT				ARCHITECT			
DATE				ENGINEER			
SUBMITTED BY				CONTRACTOR			
SPECIFICATION							
FAN NO.	MODEL NO.	CFM	VOLTS	WATTS	AMPS	QTY	OPTIONAL EQUIPMENT

**MODEL: TF150 TRANQUIL BATHROOM FAN**

TF150 Tranquil bathroom fan offers whisper-quiet exhaust. The built-in damper prevents a backdraft, keeping tempered air in a home when the fan is not operating.



<b>Model</b>	<b>TF150</b>
Air Volume (cfm @ 0.1" SP)	150
Noise (Sones)	1.1
Power Consumption (W)	43.2
Power Rating (V/Hz)	120V / 60 Hz
Duct Diameter (In.)	6
Manufacture Code	SE150



**CONSTRUCTION**

- Galvanized steel housing
- Clean, simple grille design
- Double hanger mounting brackets adjust to 24" span
- Built-in backdraft damper
- Fits 6" duct

**MOTOR**

- Efficient AC motor
- Single phase
- 120V, 60 Hz
- Automatic reset thermal overload protection

PROJECT				ARCHITECT		
DATE				ENGINEER		
SUBMITTED BY				CONTRACTOR		
SPECIFICATION						
FAN NO.	MODEL NO.	CFM	VOLTS	WATTS	QTY	OPTIONAL EQUIPMENT