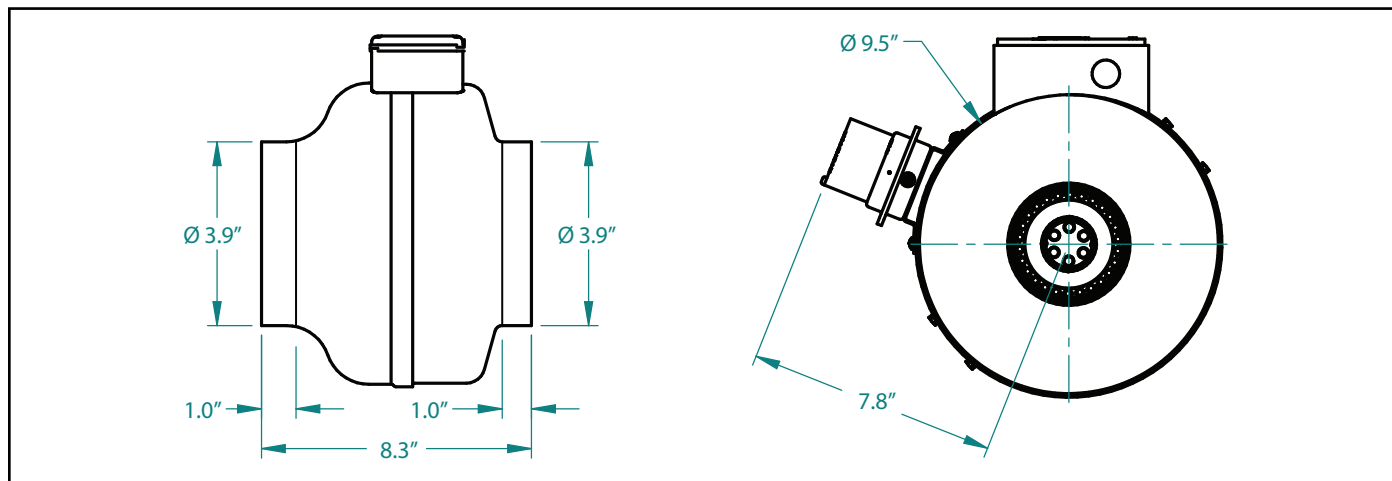


MODEL: DVK100B-PM KIT W/MOUNTED PRESSURE SWITCH

The pressure switch automatically activates the dryer booster fan when it senses dryer airflow.



AXC100B FAN CONSTRUCTION

- Heavy gauge, drawn steel housing
- Large mounting collars for duct connections
- Pre-wired capacitor
- Backward-curved impeller
- Baked epoxy finish inside and out
- External junction box
- Mounting brackets
- Precision balanced assembly

FAN MOTOR

- Durable “external rotor” design
- Dust and moisture resistant
- 120VAC, single phase
- Infinitely variable fan speed capability
- Enclosed motor housing
- Ball bearings, permanently lubricated
- Automatic reset thermal overload protection

PST120V PRESSURE SWITCH

- Integral recycling delay timer; 10 min ON, 15 sec OFF
- Operating temp -40 to 180 F (-40.0 to 82.2 C)
- 120V input
- Fixed to operate on 0.05"±0.02" w.c. pressure rise
- 1/4" connector with flexible tubing & sampling probe
- UL, CSA

PROJECT		ARCHITECT	
DATE		ENGINEER	
SUBMITTED BY		CONTRACTOR	
SPECIFICATION			
FAN NO.	MODEL NO.	QTY	OPTIONAL EQUIPMENT