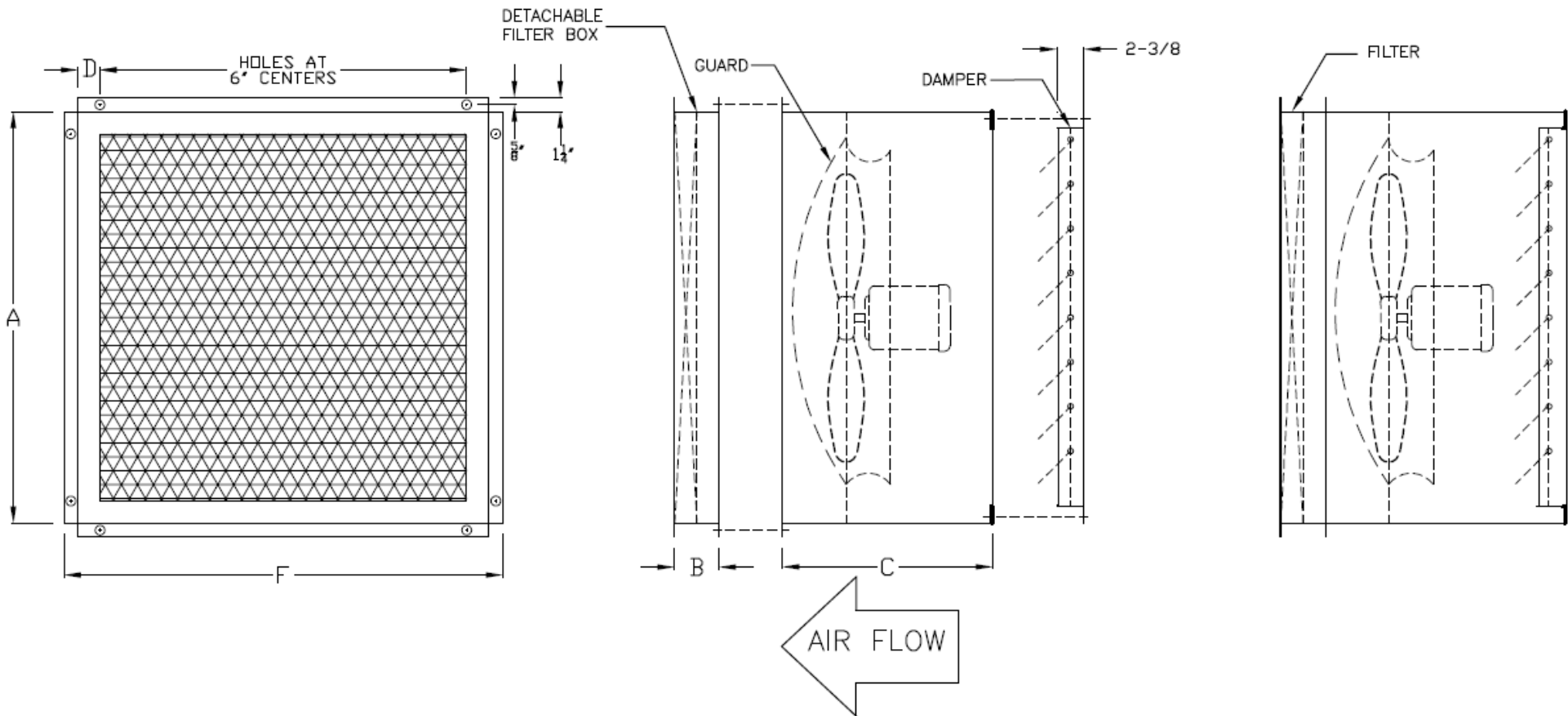


MODEL AFF STANDARD FLOW



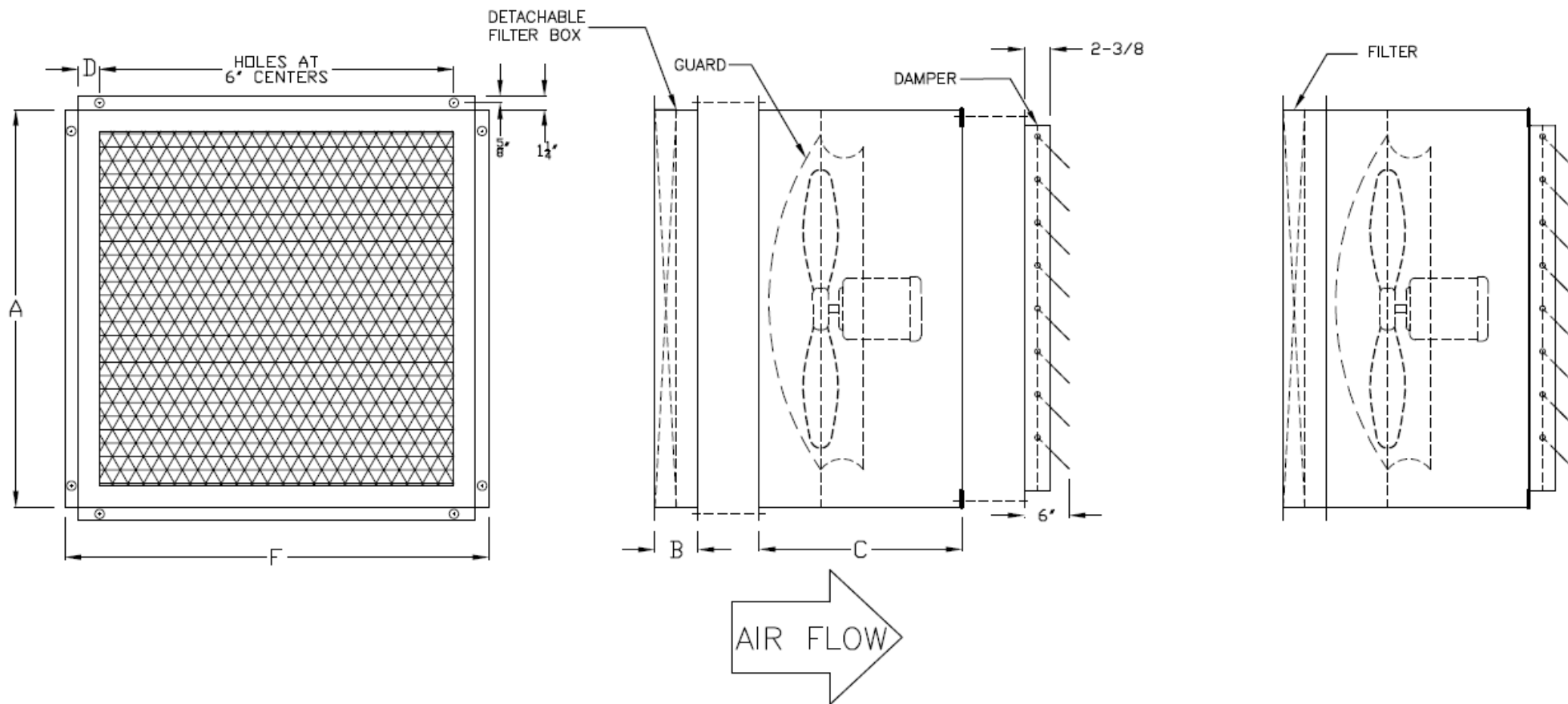
MODEL	A	B	C	D	F	FAN SIZE	FILTER SIZE
AFF-12	16-1/4	4	20	2	18-3/4	12	16 X 16 X 2 (QTY 1)
AFF-16	20-1/4	4	20	3	22-3/4	16	20 X 20 X 2 (QTY 1)
AFF-18	24-1/4	4	20	3	26-3/4	18	24 X 24 X 2 (QTY 1)
AFF-20	24-1/4	4	22	3	26-3/4	20	24 X 24 X 2 (QTY 1)
AFF-24	30-1/4	4	25	3	32-3/4	24	20 X 20 X 2 (1), 20 X 10 (2), 10 X 10 (1)
AFF-30	36-1/4	4	28	3	38-3/4	30	18 X 18 X 2 (QTY 4)

DIMENSIONS SUBJECT TO CHANGE WITHOUT NOTICE.
DRAWING NOT TO BE USED FOR CONSTRUCTION.

10									
09									
08									
07									
06									
05									
04									
03									
02									
01									
REV.	REV. NOTE	DATE	BY	DESIGNED BY	APPROVED BY	DATE	REV.		


 Better Airflow By Design
GENERAL SUBMITTAL
 AFF FILTER EXHAUST FAN SUBMITTAL - STD FLOW 12-30

MODEL AFF REVERSE FLOW



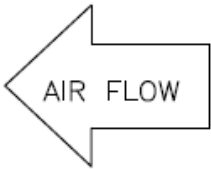
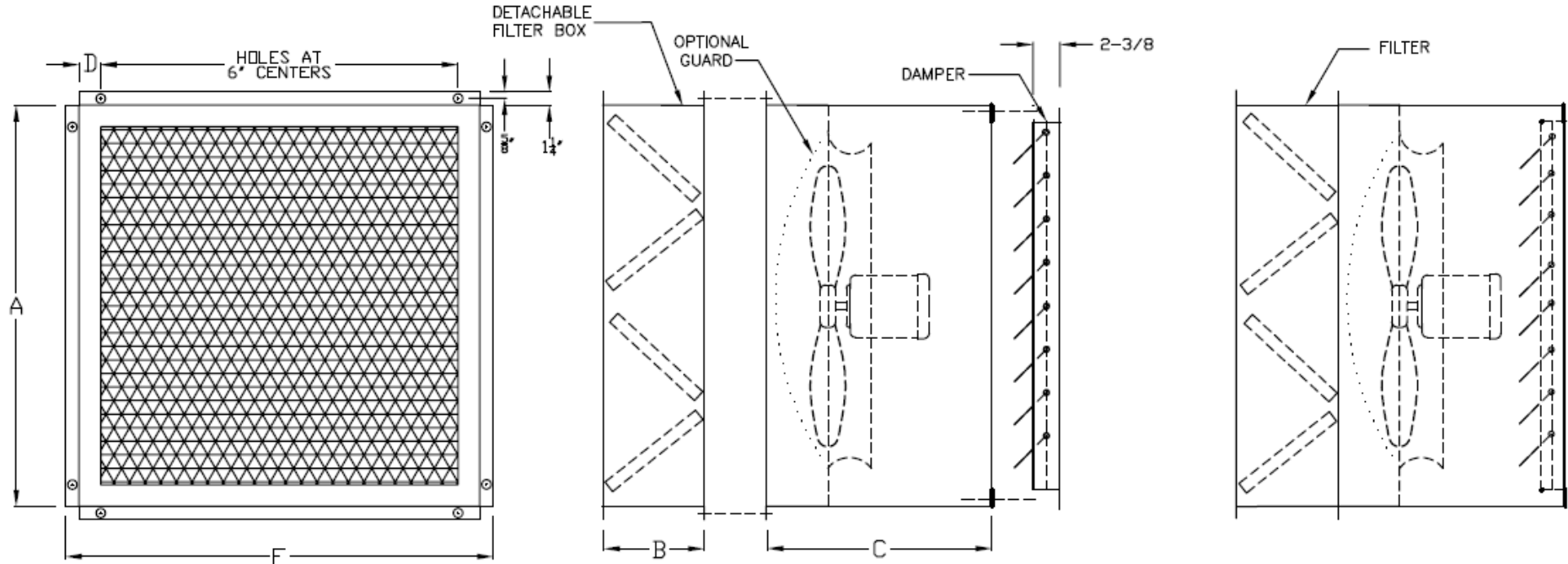
MODEL	A	B	C	D	F	FAN SIZE	FILTER SIZE
AFF-12	16-1/4	4	20	2	18-3/4	12	16 X 16 X 2 (QTY 1)
AFF-16	20-1/4	4	20	3	22-3/4	16	20 X 20 X 2 (QTY 1)
AFF-18	24-1/4	4	20	3	26-3/4	18	24 X 24 X 2 (QTY 1)
AFF-20	24-1/4	4	22	3	26-3/4	20	24 X 24 X 2 (QTY 1)
AFF-24	30-1/4	4	25	3	32-3/4	24	20 X 20 X 2 (1), 20 X 10 (2), 10 X 10 (1)
AFF-30	36-1/4	4	28	3	38-3/4	30	18 X 18 X 2 (QTY 4)

DIMENSIONS SUBJECT TO CHANGE WITHOUT NOTICE.
DRAWING NOT TO BE USED FOR CONSTRUCTION

10								
09								
08								
07								
06								
05								
04								
03								
02								
01								
REV.	REV. NOTE	DATE	BY	DESIGNED BY	APPROVED BY	DATE	REV.	


 Better Airflow By Design
GENERAL SUBMITTAL
 AFF FILTER EXHAUST FAN SUBMITTAL - REV FLOW 12-30

MODEL AFF STANDARD FLOW



Note: Additional support for filter box by others

MODEL	A	B	C	D	F	FAN SIZE	FILTER SIZE
AFF-36	42-1/4	33	36	3	44-3/4	36	18 X 24 X 2 (QTY 4) 24 X 24 X 2 (QTY 4)
AFF-42	48-1/4	33	37	3	50-3/4	42	24 X 24 X 2 (QTY 8)
AFF-48	54-1/4	33	37	3	56-3/4	48	18 X 24 X 2 (QTY 12)

DIMENSIONS SUBJECT TO CHANGE WITHOUT NOTICE
DRAWING NOT TO BE USED FOR CONSTRUCTION

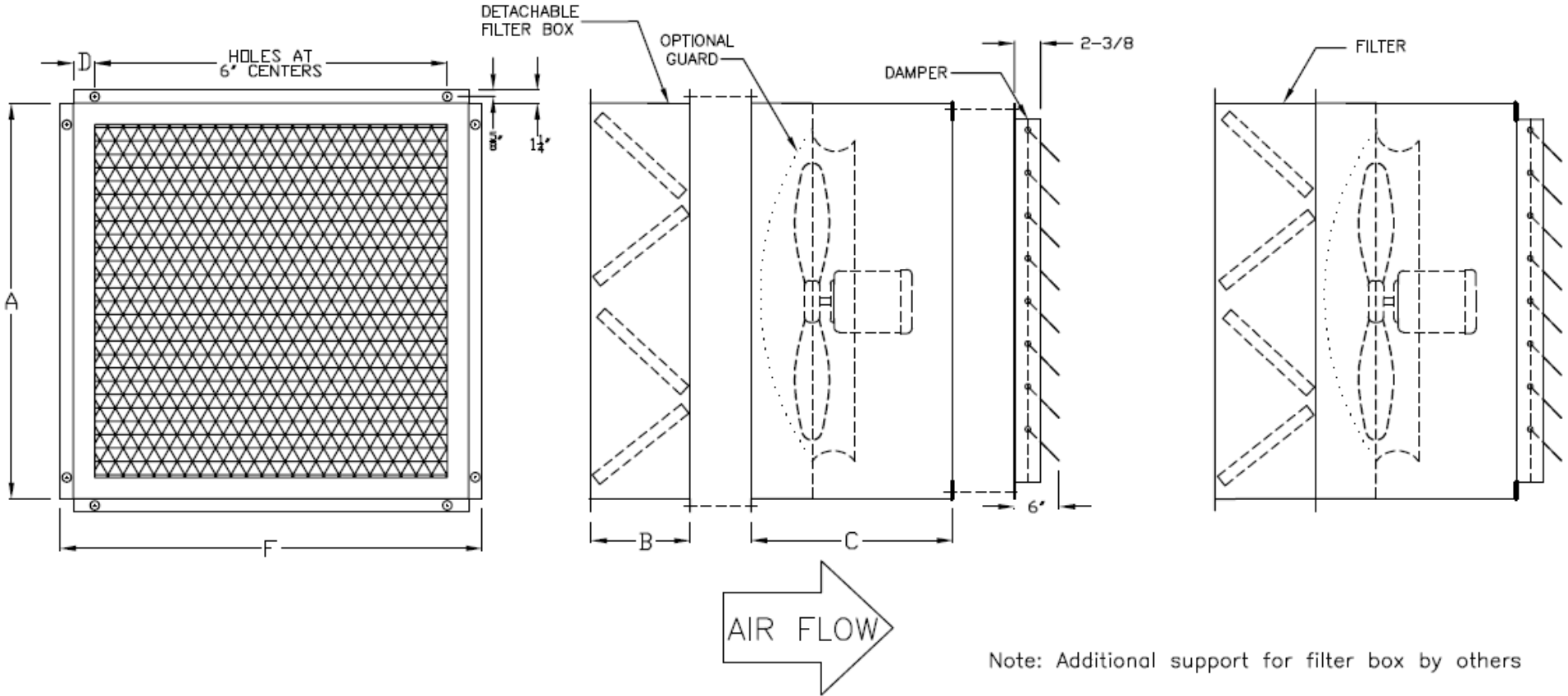
10									
09									
08									
07									
06									
05									
04									
03									
02									
01									
REV.	REV. NOTE	DATE	BY	DESIGNED BY	APPROVED BY	DATE	REV.		

CFM
Better Airflow By Design

GENERAL SUBMITTAL

AFF FILTER EXHAUST FAN SUBMITTAL - STD FLOW 36-48

MODEL AFF REVERSE FLOW



Note: Additional support for filter box by others

MODEL	A	B	C	D	F	FAN SIZE	FILTER SIZE
AFF-36	42-1/4	33	36	3	44-3/4	36	18 X 24 X 2 (QTY 4) 24 X 24 X 2 (QTY 4)
AFF-42	48-1/4	33	37	3	50-3/4	42	24 X 24 X 2 (QTY 8)
AFF-48	54-1/4	33	37	3	56-3/4	48	18 X 24 X 2 (QTY 12)

DIMENSIONS SUBJECT TO CHANGE WITHOUT NOTICE
DRAWING NOT TO BE USED FOR CONSTRUCTION

10									
09									
08									
07									
06									
05									
04									
03									
02									
01									
REV.	REV. NOTE	DATE	BY	DESIGNED BY	APPROVED BY	DATE	REV.		

Better Airflow By Design
CFM
GENERAL SUBMITTAL
AFF FILTER EXHAUST FAN SUBMITTAL - REV FLOW 36-48