

# CENTRIFUGAL FANS & BLOWERS

## CPB CAST ALUMINUM PRESSURE BLOWERS

### FEATURES & BENEFITS

- Cast aluminum radial blade impeller
- Designed for highly efficient performance
- AMCA Type B spark resistant construction
- Rugged cast aluminum housing
- Circular inlet & outlet collars
- Single or three phase TEFC motors; also available without motor
- CW or CCW rotation available; please specify
- Discharge rotatable to 4 positions
- Suitable for 0 to 150 F
- Static pressures to 11" w.g.
- Capacities to 3,410 cfm



### APPLICATIONS

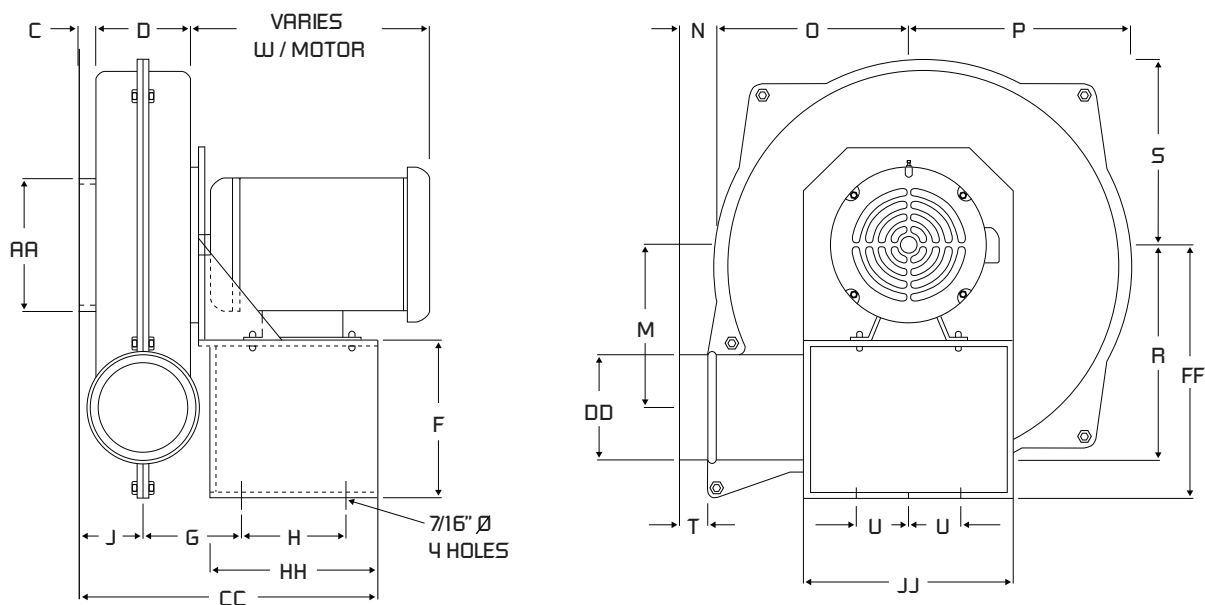
- Vehicle exhaust
- Air knives
- Combustion air
- Exhausting smoke, fumes & dust from high pressure applications
- Dust collection & material conveying
- High pressure cooling & drying

### ACCESSORIES / OPTIONS

- Inlet filter
- Inlet & outlet guards
- Protective coating
- Nozzle
- Slide gate damper
- Flanged inlet & outlet
- Teflon shaft seal for corrosive environments
- Explosion proof motors
- Special duty motors

MODEL	HP	WHEEL DIA.	INLET	OUTLET	ROTATION	AIRFLOW PERFORMANCE (CFM) AT 3450 RPM													
						1.0" SP		3.0" SP		5.0" SP		7.0" SP		9.0" SP		11.0" SP			
						CFM	BHP	CFM	BHP	CFM	BHP	CFM	BHP	CFM	BHP	CFM	BHP		
CPB-08-12	1/2	8.0 x 2.8	4	4	CW	345	0.37	242	0.31										
CPB-09-12	1/2	8.0 x 2.8	5	4	CCW	380	0.39	275	0.30										
CPB-09-34	3/4	9.0 x 2.9	5	4	CCW	480	0.62	380	0.57	210	0.42								
CPB-09-01	1	10.5 x 2.9	5	4	CCW	575	0.80	495	0.72	400	0.54	270	0.41						
CPB-10-34	3/4	9.0 x 2.9	6	5	CW,CCW	571	0.73	400	0.60	91	0.37								
CPB-10-32	1-1/2	11.0 x 2.8	6	5	CW,CCW	840	1.50	700	1.35	590	1.26	460	1.05						
CPB-12-01	1	11.0 x 3.0BC	7	6	CW	865	1.07	710	0.99	535	0.87	160	0.55						
CPB-12-32	1-1/2	10.5 x 2.9	7	6	CW,CCW	1055	1.62	890	1.42	670	1.20	360	0.77						
CPB-12-02	2	11.0 x 2.8	7	6	CW,CCW	1150	1.91	975	1.72	750	1.4	475	1.05						
CPB-12-3A	3	11.5 x 2.8	7	6	CW,CCW	1245	2.48	1086	2.20	890	2.00	630	1.53						
CPB-12-3B	3	12.8 x 2.9	7	6	CW,CCW	Contact Factory		1237	3.10	1046	2.81	882	2.50	700	1.91				
CPB-12-05	5	14.0 x 3.0	7	6	CW,CCW	1600	4.21	1550	4.00	1400	3.78	1285	3.63	1125	3.40	945	2.81		
CPB-14-03	3	12.3 x 3.0	8	6	CW,CCW	1575	3.40	1405	3.11	1250	2.71	1000	2.21	685	1.90				
CPB-14-05	5	14.0 x 3.0	8	6	CW,CCW	1875	4.98	1710	4.60	1550	4.15	1400	3.80	1203	3.50	1045	2.98		
CPB-15-05	5	14.0 x 3.0	8	8	CW,CCW	2300	5.30	2100	4.95	1900	4.50	1678	4.10	1410	3.60	1170	3.21		
CPB-15-07	7-1/2	15.5 x 5.0BC	8	8	CW	2360	6.50	2210	6.00	1950	5.32	1800	4.65	1595	4.10	1300	3.70		
CPB-15-10A	10	15.5 x 5.0	8	8	CW,CCW	2700	9.40	2510	8.90	2365	7.95	2211	7.00	1950	6.20	1711	5.90		
CPB-15-10B	10	16.5 x 5.0	8	8	CW,CCW	3000	11.00	2875	10.70	2700	10.40	2550	10.20	2400	9.90	2215	9.40		
CPB-15-15A	15	14.0 x 3.0	10	8	CCW	2565	6.20	2347	5.80	2175	5.30	1841	4.60	1586	4.00	1181	3.20		
CPB-15-15B	15	15.5 x 5.0BC	10	8	CW	2610	7.10	2420	6.50	2210	6.00	1975	5.50	1712	4.95	1425	4.10		
CPB-15-15C	15	15.5 x 5.0	10	8	CCW	3211	11.20	3108	10.90	2875	10.40	2743	9.70	2501	8.60	2184	7.00		
CPB-15-15D	15	16.5 x 5.0	10	8	CCW	3410	14.00	3230	13.00	3029	12.20	2850	11.60	2669	10.80	2561	10.20		

## CPB CAST ALUMINUM PRESSURE BLOWERS



CLOCKWISE ROTATION - BOTTOM HORIZONTAL DISCHARGE SHOWN ABOVE

MODEL	MTR FRAME	DIMENSIONS IN INCHES*																			
		C	D	F	G	H	J	M	N	O	P	R	S	T	U	AA	CC	DD	FF	HH	JJ
CPB-08	56	1.3	3.8	6.0	4.3	5.5	3.1	4.1	1.4	4.5	5.3	6.3	4.8	1.0	3.5	4.0	14.0	4.0	9.5	7.9	9.5
CPB-09	56 143T-145T	1.3	3.8	6.0	4.3	5.5	3.1	5.6	1.4	5.9	7.0	7.8	6.4	1.0	3.5	5.0	14.0	4.0	9.5	7.9	9.5
CPB-10	56 143T-145T	1.3	4.3	7.0	4.5	5.5	3.4	6.5	1.0	6.9	9.4	9.0	7.8	1.0	3.5	6.0	14.5	5.0	10.5	7.9	7.0
		1.3	4.3	7.0	4.5	5.5	3.4	6.5	1.0	6.9	9.4	9.0	7.8	1.0	3.5	6.0	14.5	5.0	10.5	7.9	9.0
CPB-12	56 143T-145T	1.3	4.3	8.0	4.5	5.5	3.4	7.4	1.1	7.6	9.1	10.2	7.6	1.0	3.5	7.0	14.5	6.0	11.5	7.9	9.5
CPB-12	182T-184T	1.3	4.3	7.0	4.9	8.8	3.4	7.4	1.1	7.6	9.1	10.2	7.6	1.0	4.9	7.0	18.3	6.0	11.5	11.4	12.5
CPB-14	143T-145T 182T-184T	1.6	5.3	9.5	5.3	5.5	4.1	8.0	1.0	8.6	9.9	11.3	9.5	1.0	3.5	8.0	15.0	6.0	13.0	7.9	9.5
		1.6	5.3	8.5	5.9	8.8	4.1	8.0	1.0	8.6	9.9	11.3	9.5	1.0	4.9	8.0	18.5	6.0	13.0	11.4	12.5
CPB-15	143T-145T 182T-184T	1.4	6.0	9.0	6.0	8.8	4.4	8.0	1.8	9.4	10.9	11.9	9.9	1.0	4.9	8.0	20.4	8.0	13.5	11.4	12.5
CPB-15	213T-215T 254T-256T	1.4	6.0	9.0	6.0	8.8	4.4	8.0	1.8	9.4	10.9	11.9	9.9	1.0	4.9	8.0	20.4	8.0	14.5	11.4	12.5
CPB-15	182T-184T 213T-215T	1.4	6.0	9.0	6.0	8.8	4.4	8.0	1.8	9.4	10.9	11.9	9.9	1.0	4.9	10.0	20.1	8.0	13.5	11.4	12.5
		1.4	6.0	9.0	6.0	8.8	4.4	8.0	1.8	9.4	10.9	11.9	9.9	1.0	4.9	10.0	20.1	8.0	14.5	11.4	13.5

\*DO NOT USE FOR CONSTRUCTION

CONSULT FACTORY FOR CERTIFIED PRINTS

# CENTRIFUGAL FANS & BLOWERS

## CAB CAST ALUMINUM BLOWERS

### FEATURES & BENEFITS

- Forward curved, steel impeller
- Designed for highly efficient performance
- Rugged cast aluminum housing, heavy duty steel base
- AMCA Type C spark resistant construction
- CW rotation only; rotatable to 4 positions
- Suitable for 0 to 150 F
- Circular inlet and outlet collars
- Single or three phase TEFC motors; also available without motor
- Capacities to 1,550 cfm



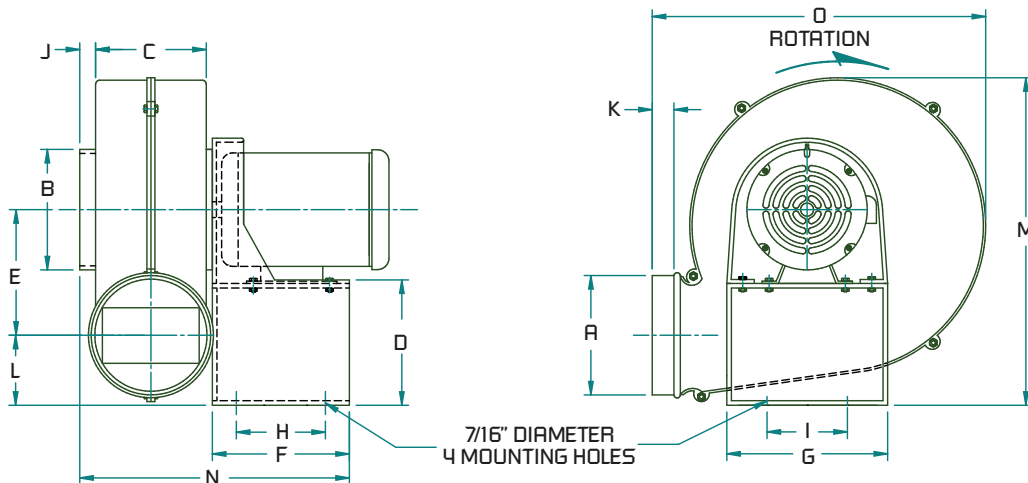
### APPLICATIONS

- Smoke and fume removal
- Spot cooling
- Electronic equipment & DC motor cooling

### ACCESSORIES / OPTIONS

- Inlet filter
- Inlet & outlet guards
- Flanged inlet & outlet
- Protective coating
- Nozzle
- Carrying handle
- Explosion proof motors
- Special duty motors
- Slide gate damper
- Support base with rubber feet
- Teflon shaft seal for corrosive environments
- Wall mounting bracket

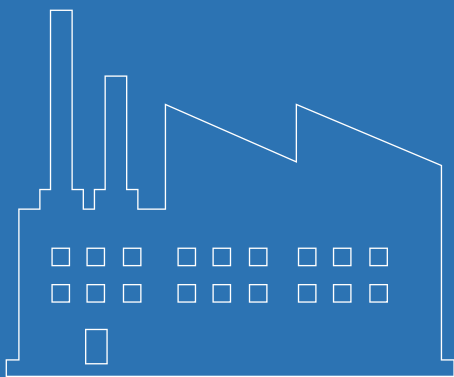
MODEL	MAX HP	RPM	AIRFLOW PERFORMANCE (CFM)																				
			0.25" SP		0.5" SP		0.75" SP		1.0" SP		1.5" SP		2.0" SP		2.5" SP		3.0" SP		3.5" SP		4.0" SP		
			CFM	BHP	CFM	BHP	CFM	BHP	CFM	BHP	CFM	BHP	CFM	BHP	CFM	BHP	CFM	BHP	CFM	BHP	CFM	BHP	
CAB-04	1/3	1725	210	0.04	135	0.02																	
	1/3	3450	500	0.38	470	0.34	440	0.32	420	0.30	360	0.26	260	0.16									
CAB-06	1/4	1150	248	0.06	96	0.02																	
	1/3	1725	440	0.18	370	0.14	300	0.11															
	1-1/2	3450	900	1.45	870	1.40	850	1.35	820	1.30	780	1.20	730	1.15	660	1.00	580	0.90	470	0.80	390	0.70	
CAB-08	1/4	1150	860	0.26	720	0.18	600	0.15															
	1-1/2	1725	1550	1.15	1500	1.05	1490	1.00	1400	0.90	1200	0.85	950	0.70									



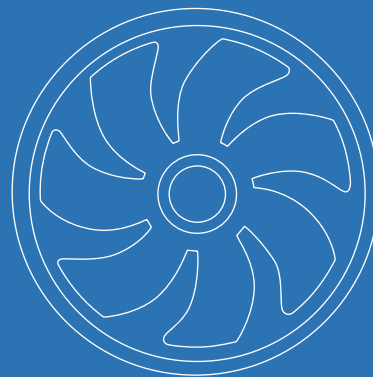
MODEL	WHEEL DIA.	DIMENSIONS IN INCHES*														
		A	B	C	D	E	F	G	H	I	J	K	L	M	N	O
CAB-04	4.75	4.0	4.9	4.0	5.0	2.8	7.0	6.9	4.3	4.3	0.9	0.9	5.8	12.5	13.1	9.1
CAB-06	6.25	6.0	5.9	4.6	5.0	4.3	7.0	6.9	4.3	4.3	1.1	0.9	4.3	13.5	14.3	11.8
CAB-08	8.50	8.0	7.9	5.8	8.0	5.4	8.5	8.4	6.5	6.5	1.1	0.9	5.6	17.9	16.6	14.0

\*DO NOT USE FOR CONSTRUCTION. ALL DIMENSIONS SHOWN +/- 0.125".

CONSULT FACTORY FOR CERTIFIED PRINTS



***Industrial Fans  
& Blowers***



***OEM Solutions  
& Custom Fans***



***Commercial Fans  
& Dampers***



***Residential Fans &  
Air Purifiers***



# Industrial Fans & Blowers

Continental Fan Manufacturing Inc.  
Buffalo, NY ~ Dayton, OH

Continental Fan Canada Inc.  
Mississauga, Ontario

continentalfan.com  
1-800-779-4021

Distributed by:



IFD-CAT-2109