



**CFM**<sup>TM</sup>  
CONTINENTAL FAN

*better* AIRFLOW *by* DESIGN<sup>TM</sup>

Industrial Fans & Blowers

# PANEL & FLANGE FANS

## APK DIRECT DRIVE PANEL FANS

### FEATURES & BENEFITS

- Spark resistant, cast aluminum airfoil axial impeller
- Superior performance and sound characteristics
- Heavy gauge steel
- Baked polyester powder coat finish
- TEFC industrial duty motor
- GRP (polypropylene) impeller available
- Aluminum construction available
- Sizes range from 12" to 36"
- Capacities to 23,000 cfm from stock components
- Custom designs available

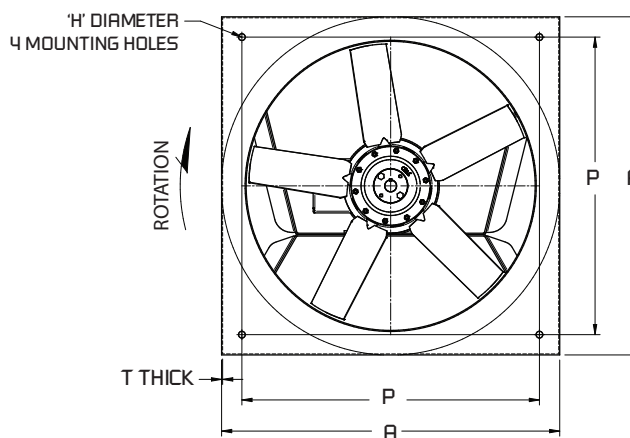
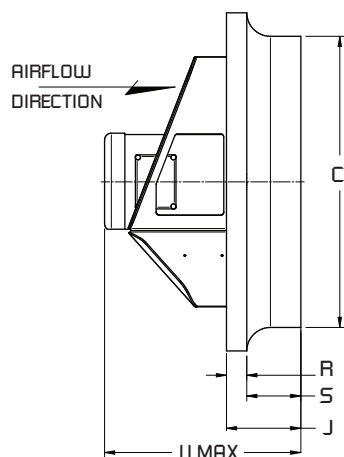


### APPLICATIONS

- OEM
- Replacement parts
- New construction

### ACCESSORIES / OPTIONS

- Motor & impeller side guards
- Weather hood
- Motorized & gravity dampers
- Mounting boot
- Filter cabinet
- AMCA spark resistant construction - consult factory



MODEL	DIMENSIONS IN INCHES*									MAX MTR FRAME
	A	C	H	J	P	R	S	T	U MAX	
APK-12	16	12.4	0.5	4.0	13.0	1.5	2.5	0.06	14.8	143/5T
APK-14	18	14.4	0.5	3.5	15.0	1.0	2.5	0.06	14.8	143/5T
APK-16	20	16.4	0.5	4.3	17.0	1.3	3.0	0.06	14.8	143/5T
APK-18	22	18.4	0.5	4.8	19.0	1.3	3.5	0.08	14.8	143/5T
APK-21	25	21.4	0.5	5.5	22.0	1.5	4.0	0.08	14.8	143/5T
APK-24	28	24.4	0.5	5.5	25.0	1.5	4.0	0.08	16.8	182/4T
APK-27	32	27.4	0.5	5.5	29.0	1.5	4.0	0.08	16.8	182/4T
APK-30	36	30.4	0.4	5.5	33.3	2.0	3.5	0.08	20.6	213/5T
APK-36	42	36.4	0.4	6.0	39.3	2.0	4.0	0.08	26.1	213/5T

\*DO NOT USE FOR CONSTRUCTION

CONSULT FACTORY FOR CERTIFIED PRINTS

## AFK DIRECT DRIVE FLANGE FANS

### FEATURES & BENEFITS

- Spark resistant, cast aluminum airfoil axial impeller
- Unit can be built for supply or exhaust configurations
- Superior performance and sound characteristics
- Heavy gauge steel
- Baked polyester powder coat finish
- TEFC industrial duty motor
- GRP (polypropylene) impeller available
- Ideal for OEM applications or new construction
- Fully reversible design option available
- Sizes range from 12" to 42"
- Capacities to 34,000 cfm from stock components
- Custom designs available

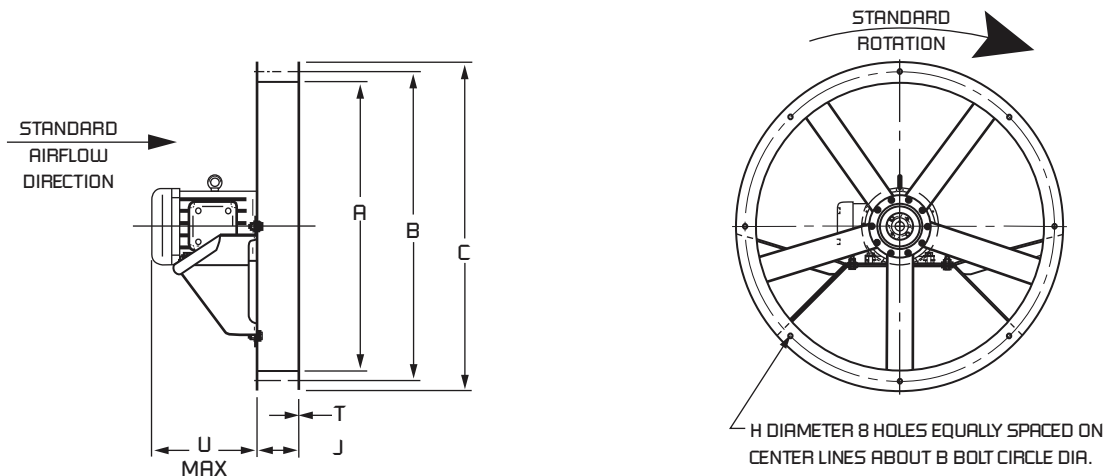


### APPLICATIONS

- General ventilation
- Industrial drying
- Renewable energy
- OEM condensing units
- Marine / shipboard applications
- Circulation / recirculation units

### ACCESSORIES / OPTIONS

- Special coatings
- Special materials
- Mounting panel
- Motor side guard
- Impeller side guard
- Reverse flow construction
- Housing yoke with mounting bracket
- AMCA spark resistant construction - consult factory
- Explosion proof & special duty motors



DIMENSIONS IN INCHES*								
MODEL	A	B	C	H	J	T	U MAX	MAX MTR FRAME
AFK-12	12.2	13.8	15.0	0.44	3.0	0.06	11.5	143/5T
AFK-14	14.2	16.3	17.5	0.44	3.0	0.06	11.5	143/5T
AFK-16	16.2	18.0	19.5	0.44	4.0	0.08	11.5	143/5T
AFK-18	18.2	20.8	22.0	0.44	4.0	0.08	11.5	143/5T
AFK-21	21.2	23.3	24.5	0.44	4.0	0.08	11.5	143/5T
AFK-24	24.2	26.3	27.5	0.44	4.0	0.08	11.5	143/5T
AFK-27	27.2	29.3	31.0	0.44	4.0	0.08	13.3	182/4T
AFK-30	30.2	32.6	34.5	0.44	4.0	0.11	16.5	213/5T
AFK-36	36.2	38.4	40.5	0.44	5.0	0.11	16.5	213/5T
AFK-42	42.2	44.6	46.5	0.44	5.0	0.11	21.5	254/6T

\*DO NOT USE FOR CONSTRUCTION

CONSULT FACTORY FOR CERTIFIED PRINTS

# PANEL & FLANGE FANS

## ADP DIRECT DRIVE PANEL FANS

### FEATURES & BENEFITS

- Spark resistant, cast aluminum airfoil axial impeller
- Aerodynamically efficient performance
- Factory set adjustable pitch impeller
- Heavy duty welded steel frame and panel construction
- Baked polyester powder coat finish
- Simple maintenance - no belts or pulleys
- TEFC industrial duty motor
- Broad range of static pressures available
- Sizes range from 12" to 60"
- Capacities to 57,200 cfm

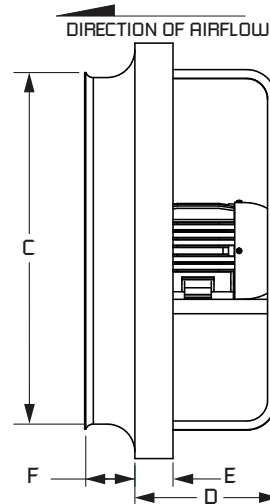
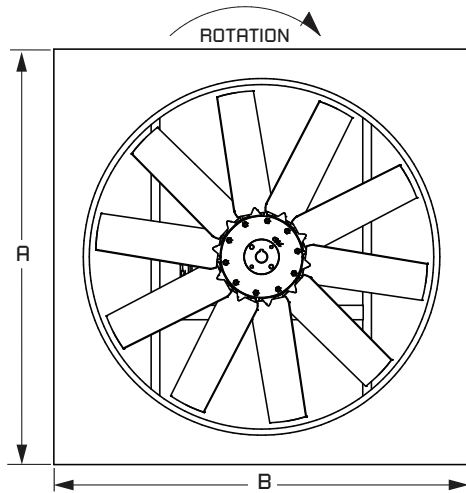


### APPLICATIONS

- Power plant ventilation
- Warehouse ventilation
- Foundry ventilation
- General ventilation
- Factory ventilation
- Parking garage ventilation

### ACCESSORIES / OPTIONS

- Motor operated shutters
- Gravity shutters
- Bird screen for shutters
- Motor & impeller side guards
- 304 stainless steel construction
- 316 stainless steel construction
- Reverse flow construction
- Special duty motors
- Mounting boot - interior or exterior mount
- Weather hood complete with bird screen
- Baked epoxy powder coat finish, two layers
- AMCA spark resistant construction - consult factory



D - DIM., VARIES WITH MOTOR SIZE  
APPROXIMATE DIM. SHOWN IN TABLE

MODEL	DIMENSIONS IN INCHES*						WT (LBS) LESS MTR	MAX MTR FRAME
	A	B	C	D	E	F		
ADP-12	16	16	13.0	11	1.0	1.3	30	56
ADP-16	20	20	17.5	11	1.0	2.3	45	56
ADP-18	24	24	19.5	13	1.0	2.5	50	56
ADP-20	24	24	21.5	13	1.0	2.8	65	145T
ADP-24	30	30	25.5	15	2.8	3.5	105	184T
ADP-30	36	36	31.5	15	2.8	3.5	125	184T
ADP-36	42	42	37.5	15	2.8	4.0	160	184T
ADP-42	48	48	44.0	18	2.8	4.3	180	215T
ADP-48	54	54	50.5	20	2.8	4.5	225	254T
ADP-54	60	60	56.5	22	2.8	4.8	360	256T
ADP-60	66	66	62.0	22	2.8	5.0	495	284T

MODEL	AIRFLOW PERFORMANCE (CFM)	
	MINIMUM	MAXIMUM
ADP-12	500	1,200
ADP-16	500	2,800
ADP-18	1,400	4,150
ADP-20	1,650	6,900
ADP-24	1,800	9,800
ADP-30	2,300	16,000
ADP-36	2,800	23,000
ADP-42	5,800	28,970
ADP-48	7,100	33,000
ADP-54	8,500	43,000
ADP-60	10,800	57,200

\*DO NOT USE FOR CONSTRUCTION

CONSULT FACTORY FOR CERTIFIED PRINTS

## ABP BELT DRIVE PANEL FANS

### FEATURES & BENEFITS

- Spark resistant, cast aluminum airfoil axial impeller
- Aerodynamically efficient performance
- Factory set adjustable pitch impeller
- Heavy duty welded steel frame and panel construction
- Baked polyester powder coat finish
- TEFC industrial duty motor
- Self-aligning pillow block ball bearings
- V-belt drives for low speed operation
- Sizes range from 24" to 72"
- Capacities to 73,200 cfm

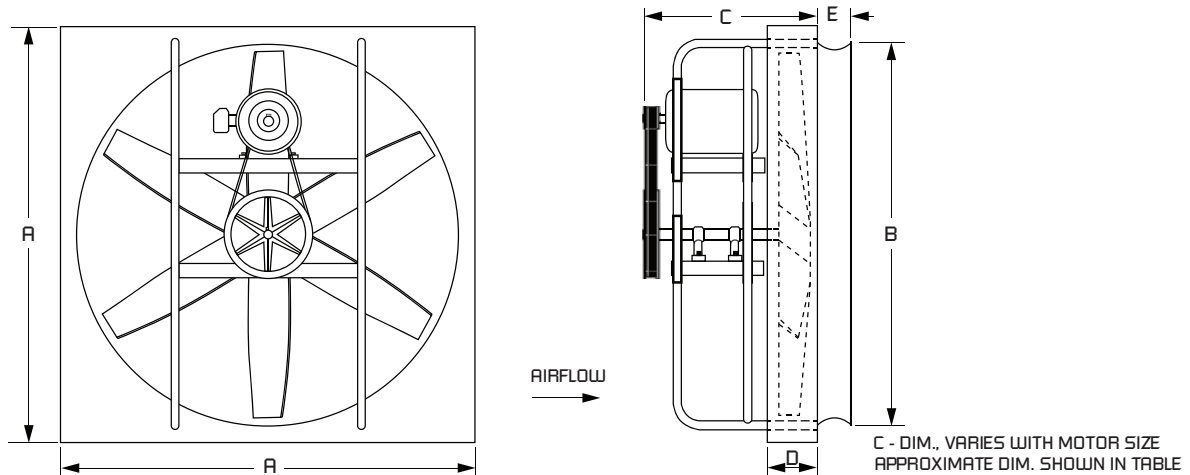


### APPLICATIONS

- Power plant ventilation
- Warehouse ventilation
- Foundry ventilation
- General ventilation
- Factory ventilation
- Parking garage ventilation

### ACCESSORIES / OPTIONS

- Motor operated shutters
- Gravity shutters
- Bird screen for shutters
- Motor & impeller side guards
- Variable pitch sheaves
- Reverse flow construction
- Explosion proof motors
- Special duty motors
- Mounting boot - interior or exterior mount
- Weather hood complete with bird screen
- Baked epoxy powder coat finish, two layers
- AMCA spark resistant construction - consult factory



MODEL	DIMENSIONS IN INCHES*					WT (LBS) LESS MTR	MAX MTR FRAME
	A	B	C	D	E		
ABP-24	30.0	25.5	20.0	2.8	3.5	100	145T
ABP-30	36.0	31.5	20.0	2.8	3.5	135	145T
ABP-36	42.0	37.5	22.0	2.8	4.0	170	145T
ABP-42	48.0	44.0	24.0	2.8	4.5	185	184T
ABP-48	54.0	50.5	25.0	2.8	4.5	195	184T
ABP-54	60.0	56.5	26.0	2.8	4.8	270	184T
ABP-60	66.0	62.0	28.0	2.8	5.0	330	184T
ABP-72	80.5	76.0	28.5	2.8	6.5	625	256T

MODEL	AIRFLOW PERFORMANCE (CFM)	
	MINIMUM	MAXIMUM
ABP-24	800	4,900
ABP-30	900	10,600
ABP-36	1,000	16,554
ABP-42	1,642	23,645
ABP-48	5,000	33,160
ABP-54	9,000	37,450
ABP-60	12,850	44,600
ABP-72	22,516	73,203

\*DO NOT USE FOR CONSTRUCTION

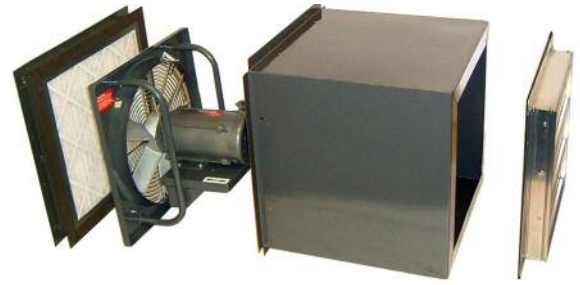
CONSULT FACTORY FOR CERTIFIED PRINTS

# PANEL & FLANGE FANS

## AFF FILTERED FANS

### FEATURES & BENEFITS

- Spark resistant, cast aluminum airfoil axial impeller
- Supply or exhaust configurations
- OSHA style impeller side guard
- Baked polyester powder coat finish
- Removable filter box section
- TEFC industrial duty motor
- Optional explosion proof motor
- Disposable 2" filters are high capacity, pleated type that meet MERV 8 rating
- Aluminum backdraft damper

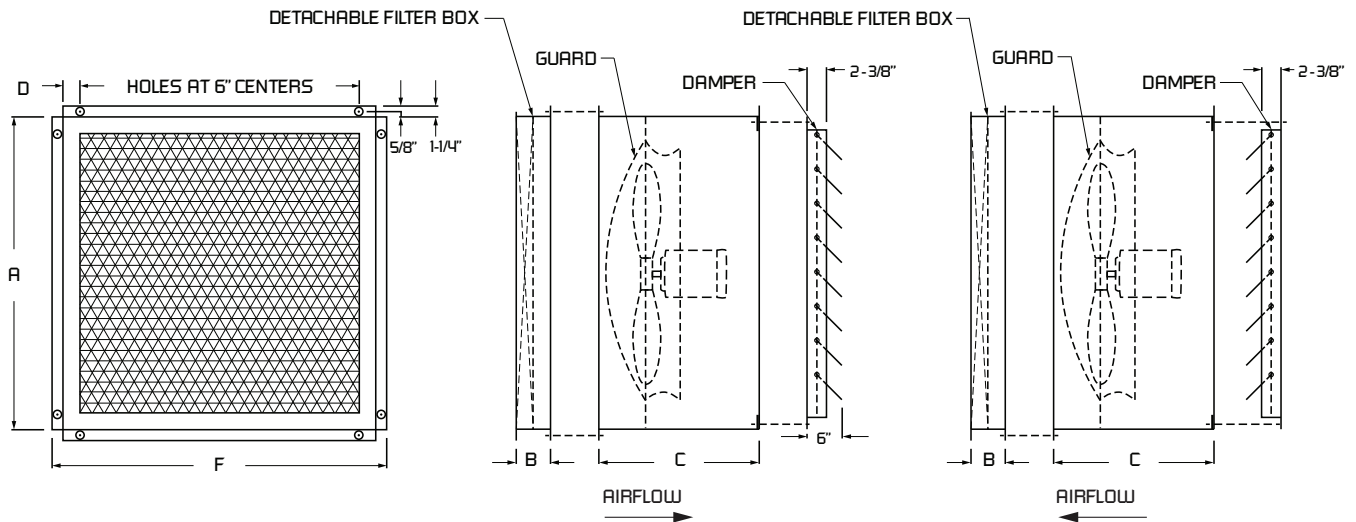


### APPLICATIONS

- Unducted paint booths
- Storage facilities
- OEM machinery & equipment
- Power plant ventilation
- Electrical cabinets
- General ventilation

### ACCESSORIES / OPTIONS

- Weatherhood
- Coatings for harsh environments
- AMCA spark resistant construction - consult factory



MODEL	DIMENSIONS IN INCHES*					
	A	B	C	D	F	FILTER SIZE
AFF-12	16.25	4	20	2	18.75	16x16x2 (1)
AFF-16	20.25	4	20	3	22.75	20x20x2 (1)
AFF-18	24.25	4	20	3	26.75	24x24x2 (1)
AFF-20	24.25	4	22	3	26.75	24x24x2 (1)
AFF-24	30.25	4	25	3	32.75	20x20x2 (1) 20x10x2 (2) 10x10x2 (1)
AFF-30	36.25	4	28	3	38.75	18x18x2 (4)
AFF-36	42.25	33	36	3	44.75	18x24x2 (4) 24x24x2 (4)
AFF-42	48.25	33	37	3	50.75	24x24x2 (8)
AFF-48	54.25	33	37	3	56.75	18x24x2 (12)

MODEL	PERFORMANCE				
	ALUMINUM IMPELLER	HP	MOTOR RPM	# FILTERS	CFM W/FILTERS
AFF-12	12/150/5/21	1/4	1800	1	750
AFF-16	16/150/5/21	1/4	1800	1	1780
AFF-18	18/150/5/23	1/2	1800	1	2600
AFF-20	20/150/10/20	1	1800	1	3600
AFF-24	24/150/5/18	1	1800	4	5100
AFF-30	30/150/10/15	1	1200	4	6000
AFF-36	36/150/10/18	2	1200	8	11000
AFF-42	42/255/4/14	2	1200	8	14500
AFF-48	48/255/4/13	3	1200	12	18750

\*DO NOT USE FOR CONSTRUCTION CONSULT FACTORY FOR CERTIFIED PRINTS

## PACKAGED PANEL FAN OPTION

### FEATURES & BENEFITS

- Supply or exhaust configurations
- Heavy gauge fan and shutter mounting box, factory mounted
- Baked polyester powder coat finish
- Three types of shutters available:
  - Aluminum gravity shutter for exhaust
  - Motor operated shutter for exhaust
  - Motor operated center pivoted for either supply or reversible operation
- OSHA compliant rear box guard:
  - 12, 16, 18, 20 & 54 inch sizes are fabricated expanded metal
  - 24, 30, 36, 42, 48 & 60 inch sizes are formed wire five piece guards

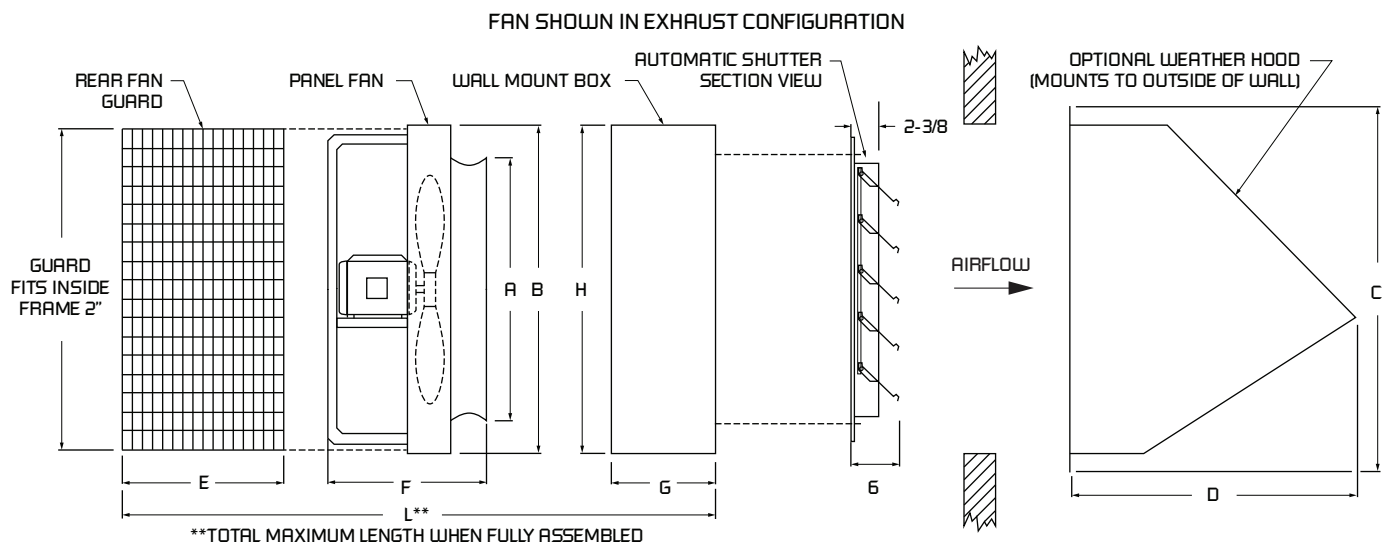


### APPLICATIONS

- Designed for use with ADP, ABP & WEB panel fans
- Simplify mounting in block, concrete, or metal walls
- Use as an optional weather hood with bird screen

### ACCESSORIES / OPTIONS

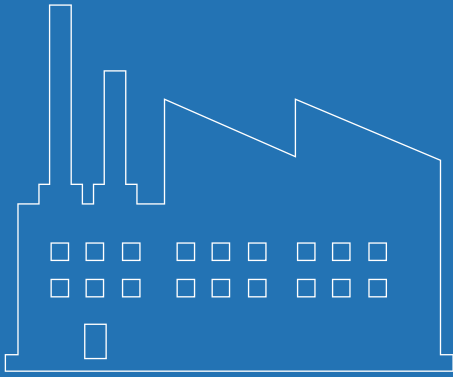
- Exterior weather hood recommended for intake applications
- AMCA spark resistant construction - consult factory



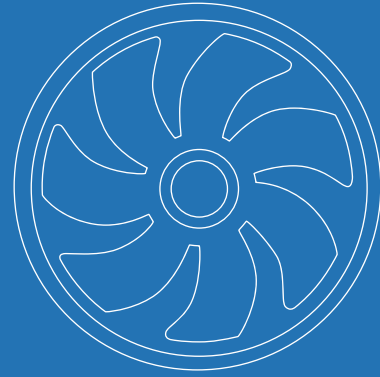
FAN SIZE	DIMENSIONS IN INCHES*										SHUTTER SIZE
	A	B	C	D	H	G	WALL OPENING	E	F	L**	
12	13.0	16.0	23.0	22.0	16.25	8.0	16.75	15.0	12.3	22.0	12.0
16	17.5	20.0	27.0	24.0	20.25	9.0	20.75	15.0	13.3	23.0	16.0
18	19.5	24.0	29.0	25.0	24.25	10.0	24.75	15.0	15.5	24.0	18.0
20	21.5	24.0	31.0	26.0	24.25	11.0	24.75	15.0	15.8	25.0	20.0
24	25.5	30.0	35.0	28.0	30.25	14.0	30.75	24.0	18.5	37.0	24.0
30	31.5	36.0	41.0	32.0	36.25	14.0	36.75	24.0	18.5	37.0	30.0
36	37.5	42.0	47.0	36.0	42.25	15.0	42.75	24.0	19.0	38.0	36.0
42	44.5	48.0	53.0	44.0	48.25	16.0	48.75	24.0	22.3	39.0	42.0
48	50.5	54.0	59.0	46.0	54.25	16.0	54.75	24.0	24.5	39.0	48.0
54	56.5	60.0	65.0	50.0	60.25	18.0	60.75	24.0	26.8	41.0	54.0
60	62.0	66.0	71.0	54.0	66.25	18.0	66.75	26.5	27.0	43.5	60.0

\*DO NOT USE FOR CONSTRUCTION

CONSULT FACTORY FOR CERTIFIED PRINTS



***Industrial Fans  
& Blowers***



***OEM Solutions  
& Custom Fans***



***Commercial Fans  
& Dampers***



***Residential Fans &  
Air Purifiers***



# Industrial Fans & Blowers

Continental Fan Manufacturing Inc.  
203 Eggert Road  
Buffalo, New York 14215

Continental Fan Canada Inc.  
12-205 Matheson Blvd. E  
Mississauga, Ontario L4Z 3E3

Continental Fan Manufacturing Inc.  
6274 Executive Blvd.  
Dayton, Ohio 45424

1-800-779-4021 • [www.continentalfan.com](http://www.continentalfan.com)

Distributed by:

INDUSTRIAL-CAT-1901