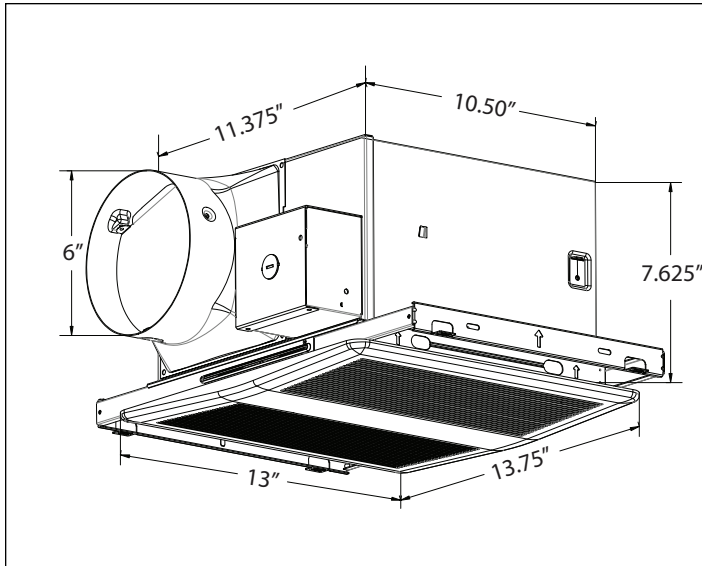


MODEL: TF140-DC TRANQUIL BATHROOM FAN

TF140-DC Tranquil bathroom fan with its high efficiency DC motor offers whisper quiet exhaust. The fan will operate at the desired airflow rate determined by the toggle switch settings. The toggle switch position determines the desired airflow rate, ranging from 90 to 140 cfm.



Model	TF140-DC			
Air Volume (cfm @ 0.1" SP)	90	110	120	140
Noise (Sones)	0.5	0.9	1.2	1.5
Power Consumption (W)	8.1	10.3	12.2	15.6
Power Rating (V/Hz)	120V / 60 Hz			
Duct Diameter (In.)	6			
Manufacture Code	SED1104			



CONSTRUCTION

- Galvanized steel housing
- Clean, simple grille design
- Multi-speed fan
- Install to joist with mounting frame
- Built-in backdraft damper
- Fits 6" duct

MOTOR

- Efficient DC motor
- Single phase
- 120V, 60 Hz
- Automatic reset thermal overload protection

PROJECT				ARCHITECT		
DATE				ENGINEER		
SUBMITTED BY				CONTRACTOR		
SPECIFICATION						
FAN NO.	MODEL NO.	CFM	VOLTS	WATTS	QTY	OPTIONAL EQUIPMENT