

AIRFLOW  
DIRECTION

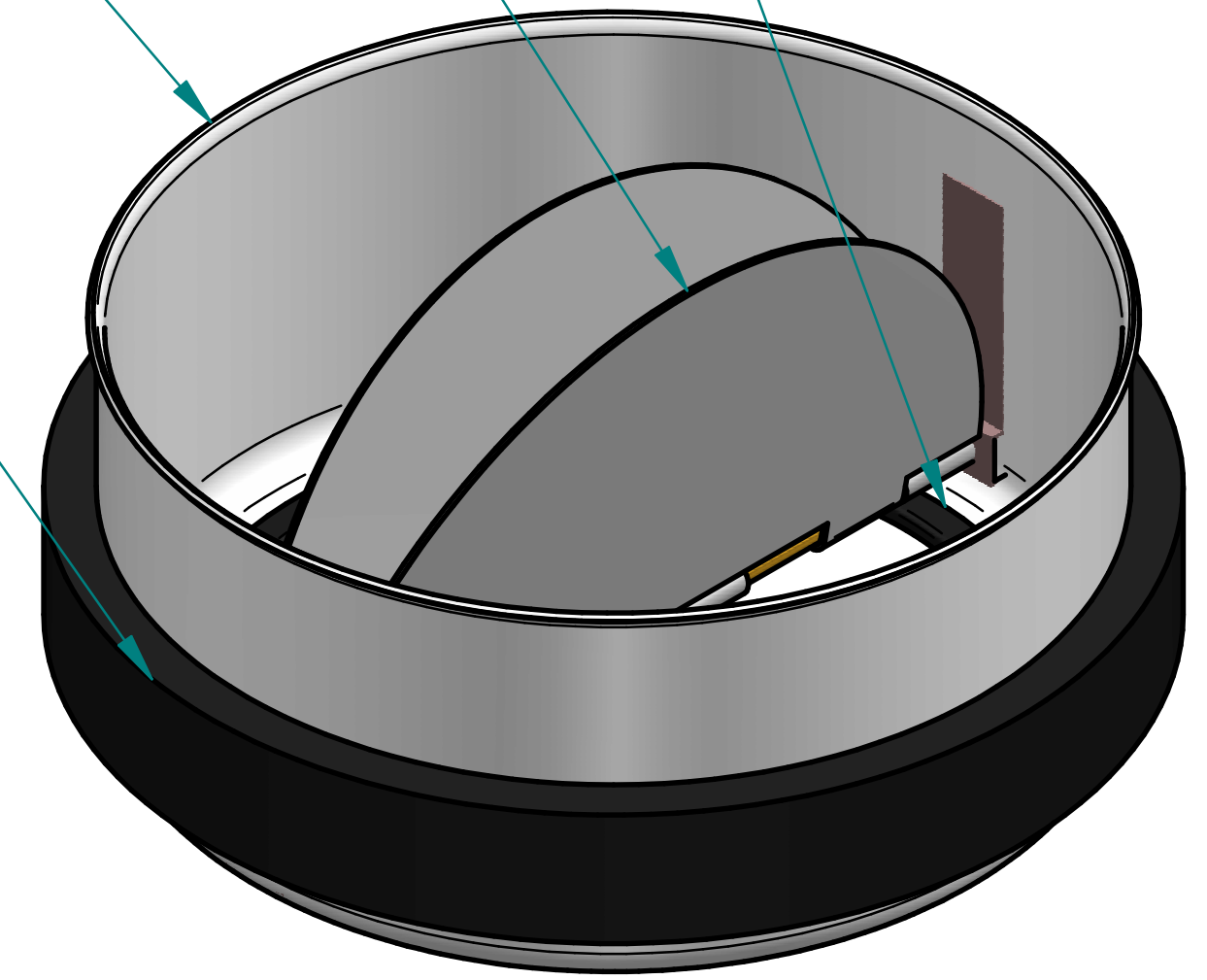


NEOPRENE BLADE GASKET

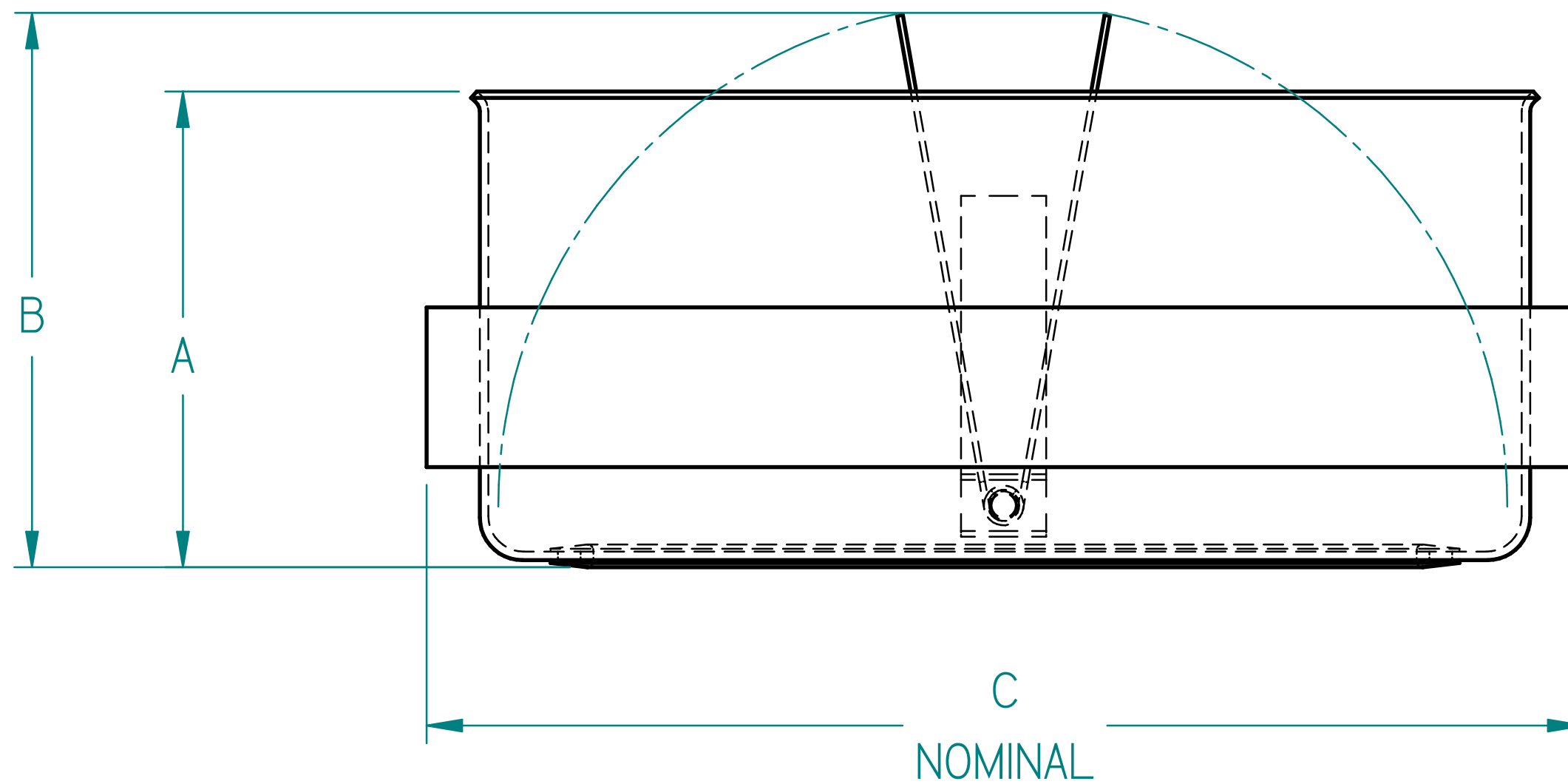
ALUMINUM DAMPER BLADES

SATIN COAT STEEL BODY

FOAM BODY SEAL



BLADES OPEN



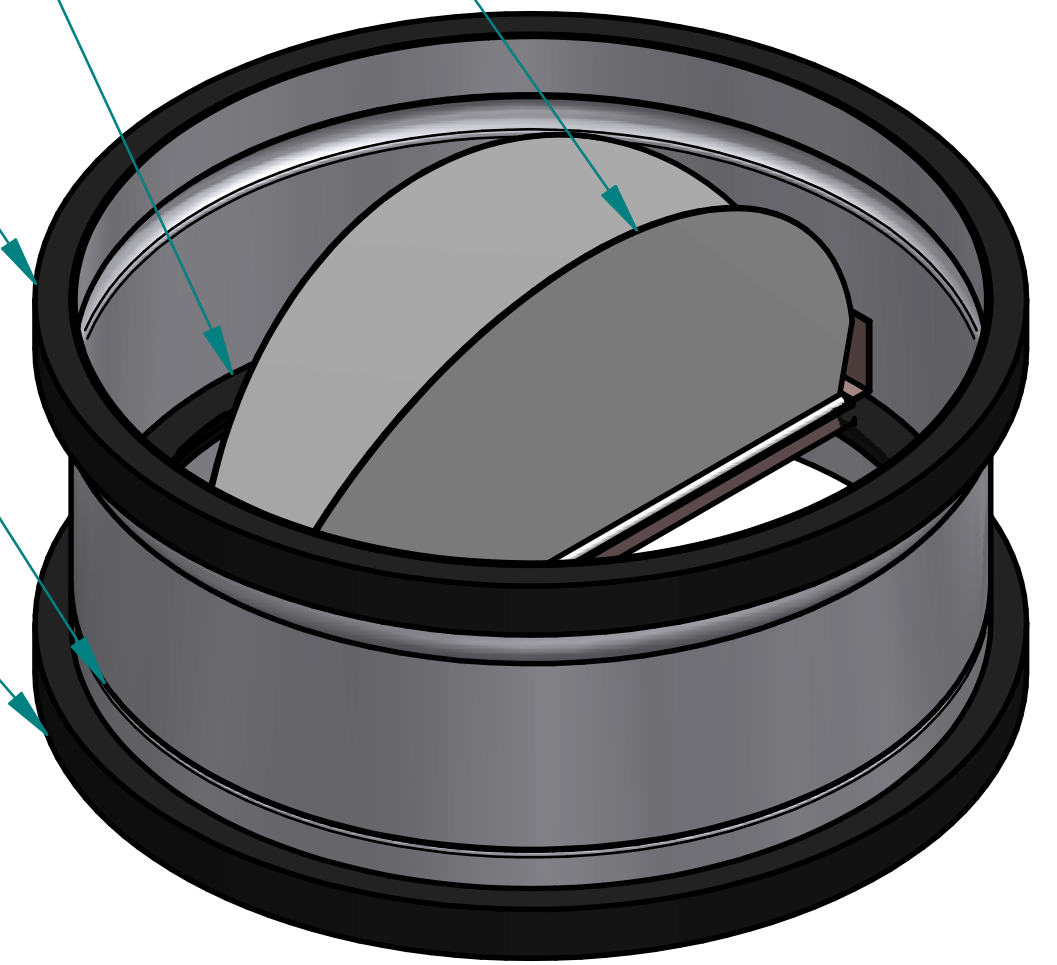
DAMPER		DIMENSIONS (IN INCHES)		
MODEL	SIZE	A	B	C
BDD100	4	1.75	2.00	3.80
BDD125	5	2.00	2.50	4.80
BDD150	6	2.50	3.00	5.80
BDD200	8	2.75	3.75	7.80

DIMENSIONS SUBJECT TO CHANGE WITHOUT NOTICE.  
DRAWING NOT TO BE USED FOR CONSTRUCTION.

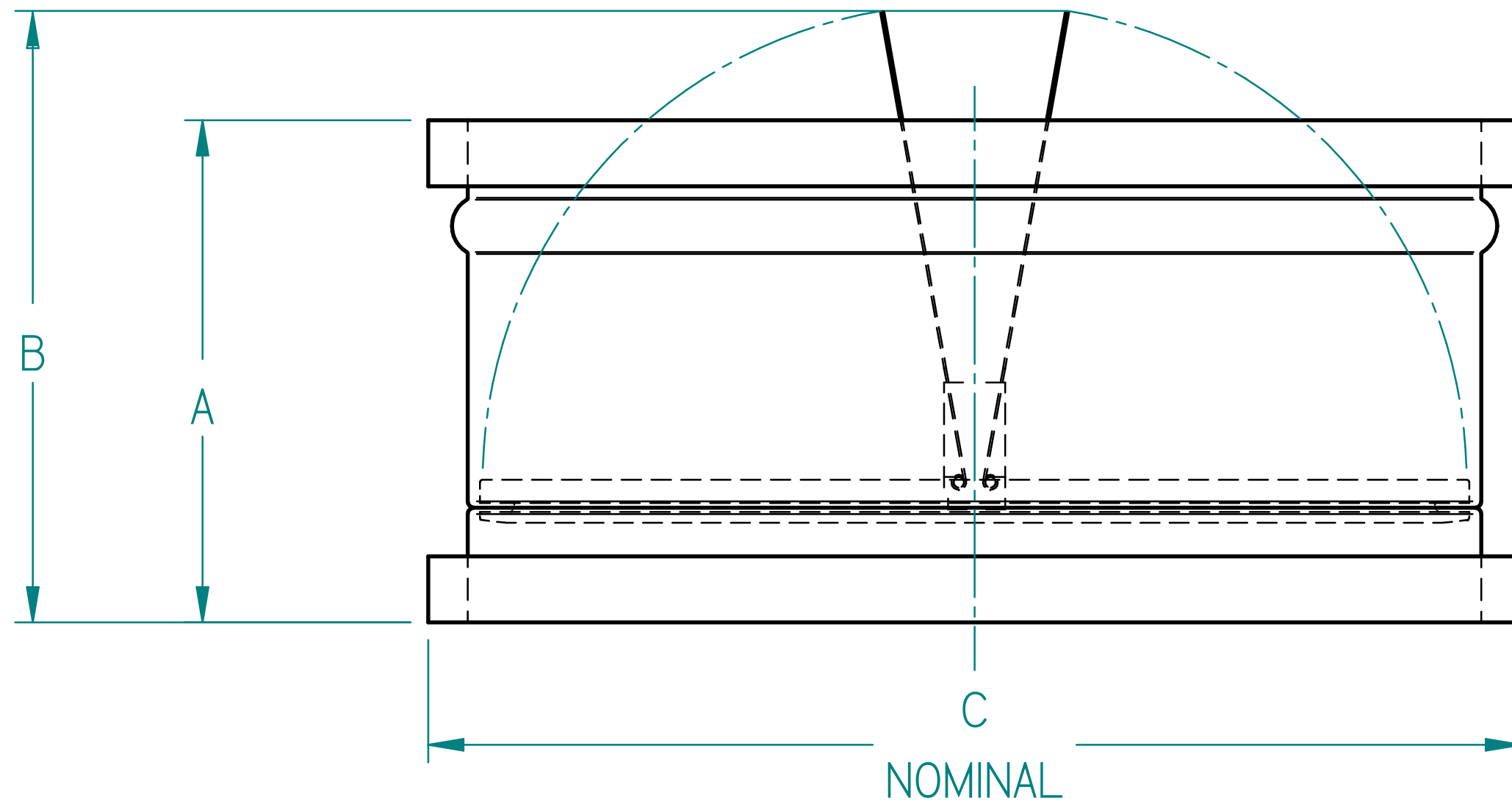
		<b>CFM</b>	
		Better Airflow By Design	
		SPRING LOADED BACKDRAFT DAMPERS	
		BDD GENERAL SUBMITTAL	
01	06 APR. 2016	JME	
REV.	DATE	BY	J. M. EVANS   06 APR. 2016   BDD GENERAL SUBMITTAL.dft

AIRFLOW  
DIRECTION

ALUMINUM DAMPER BLADES  
NEOPRENE BLADE GASKET  
FOAM BODY SEAL  
SATIN COAT STEEL BODY  
FOAM BODY SEAL



BLADES OPEN



DAMPER		DIMENSIONS (IN INCHES)		
MODEL	SIZE	A	B	C
BDD250	10	4.75	5.75	9.8
BDD300	12	6.25	6.75	11.8

DIMENSIONS SUBJECT TO CHANGE WITHOUT NOTICE.  
DRAWING NOT TO BE USED FOR CONSTRUCTION.

		<b>CFM</b> Better Airflow By Design	
		SPRING LOADED BACKDRAFT DAMPERS	
		BDD GENERAL SUBMITTAL	
01	06 APR. 2016	JME	
REV.	DATE	BY	J. M. EVANS   06 APR. 2016   BDD GENERAL SUBMITTAL.dft