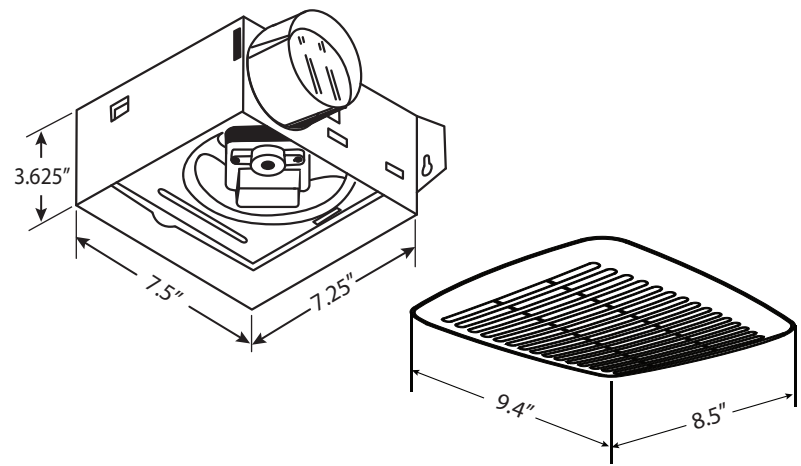



## MODEL: CF50 BATHROOM EXHAUST FAN

CF bathroom exhaust fans provide an economical bathroom ventilation solution. They are available as complete fan assemblies or in easy-to-install contractor packages. The built-in damper prevents a backdraft, keeping tempered air in a home when the fan is not operating.



<b>Model</b>	<b>CF50</b>
Air Volume (cfm @ 0.1" SP)	50
Noise (Sones)	3.5
Power Consumption (W)	51
Power Rating (V/Hz)	120V / 60 Hz
Duct Diameter (In.)	3



### CONSTRUCTION

- Galvanized steel housing
- Clean, simple grille design
- Double hanger mounting brackets adjust to 24" span
- Built-in backdraft damper

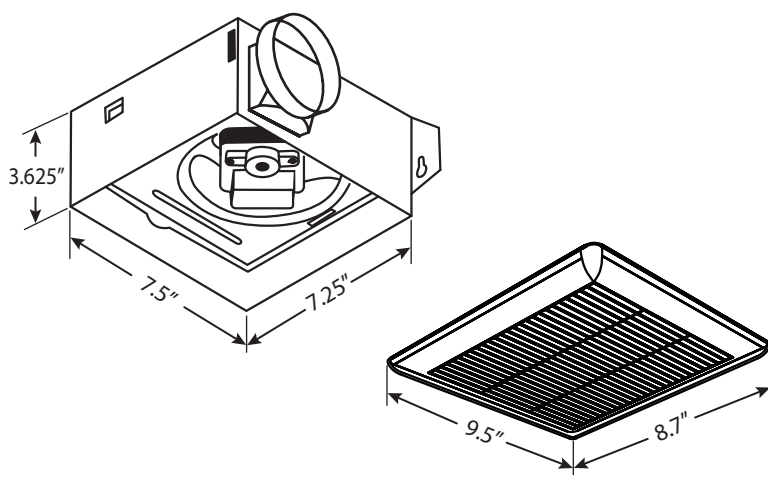

### MOTOR

- Efficient AC motor
- Single phase
- 120V, 60 Hz
- Automatic reset thermal overload protection

PROJECT				ARCHITECT			
DATE				ENGINEER			
SUBMITTED BY				CONTRACTOR			
SPECIFICATION							
FAN NO.	MODEL NO.	CFM	VOLTS	WATTS	AMPS	QTY	OPTIONAL EQUIPMENT

## MODEL: CF70 BATHROOM EXHAUST FAN

CF bathroom exhaust fans provide an economical bathroom ventilation solution. They are available as complete fan assemblies or in easy-to-install contractor packages. The built-in damper prevents a backdraft, keeping tempered air in a home when the fan is not operating.

	<b>Model</b>	<b>CF70</b>
	Air Volume (cfm @ 0.1" SP)	70
	Noise (Sones)	3.5
	Power Consumption (W)	63
	Power Rating (V/Hz)	120V / 60 Hz
	Duct Diameter (In.)	4
		

### CONSTRUCTION

- Galvanized steel housing
- Clean, simple grille design
- Double hanger mounting brackets adjust to 24" span
- Built-in backdraft damper

### MOTOR

- Efficient AC motor
- Single phase
- 120V, 60 Hz
- Automatic reset thermal overload protection

PROJECT				ARCHITECT			
DATE				ENGINEER			
SUBMITTED BY				CONTRACTOR			
SPECIFICATION							
FAN NO.	MODEL NO.	CFM	VOLTS	WATTS	AMPS	QTY	OPTIONAL EQUIPMENT