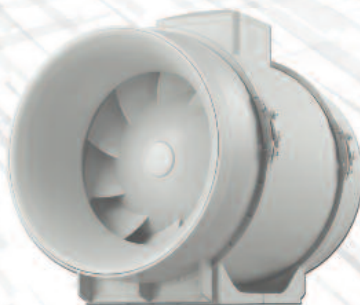
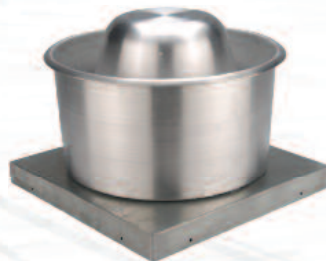


**CFM**<sup>TM</sup>  
CONTINENTAL FAN

# Wholesale Ventilation Products



*... better AIRFLOW by DESIGN!*

# DRYER BOOSTER FANS

## DVK DRYER BOOSTER FAN

The DVK Dryer Booster Fan is designed to enhance the drying efficiency of a dryer. It is capable of overcoming a long duct run, and the in-line design simplifies installation. Unique features result in a quiet and powerful dryer boosting solution.

### FEATURES & BENEFITS

- Boost dryer exhaust efficiency, reduce drying times, and deliver cost savings
- External rotor motor design for quiet and efficient operation
- Backward-curved centrifugal impeller to overcome long duct runs
- In-line construction to reduce lint build-up
- Heavy gauge, drawn steel housing with baked epoxy finish
- High temperature construction: 60 C/140 F
- Thermal overload protection
- Automatic reset



### ACCESSORIES / OPTIONS

- Controls - pages 36-37
- Accessories - pages 38-39

### BOOSTER FAN ACTIVATION METHODS



#### Current Sensor (DVK100B-C Kit)

This is the preferred method for activating a dryer booster fan. When a clothes dryer is operating and drawing at least one amp of current, the current sensor automatically activates the DVK100B dryer booster fan.



#### Pressure Switch (DVK100B-P Kit)

The pressure switch is designed to be mounted in the duct between the fan and the dryer. When it senses dryer airflow, the switch activates the DVK100B dryer booster fan.



#### Pressure Switch - Mounted (DVK100B-PM Kit)

The pre-mounted pressure switch simplifies installation. Utilizing the components found in the DVK100B-P kit, the pressure switch is pre-wired and factory mounted to the DVK100B dryer booster fan.

Each of the above booster fan activation methods may be purchased as a separate accessory item.  
Note: Continental Fan does not recommend wiring a dryer booster fan directly into a clothes dryer.

### INSTALLATION TIPS

- DVK100B fans should be mounted at least 15 linear feet from dryer.
- Each 90-degree elbow is equivalent to 5 linear feet of duct.
- DVK100B fans are designed to vent up to 110 feet of 4-inch rigid duct.

### HELPFUL HINTS

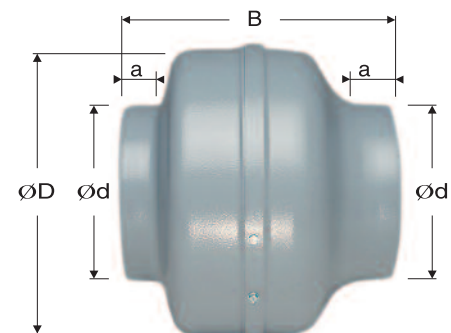
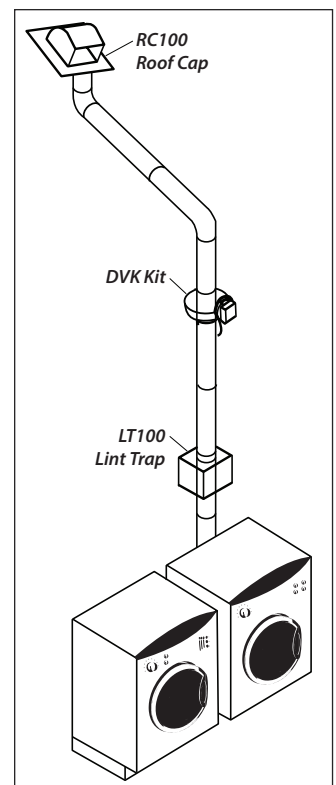
A LT100 Lint Trap may be installed between the dryer and the booster fan to reduce lint build-up and maintenance on the fan.

MODEL	WATTS	RPM	AIRFLOW PERFORMANCE (CFM)								
			0" SP	0.2" SP	0.4" SP	0.6" SP	0.8" SP	1.0" SP	1.2" SP	1.5" SP	
DVK100B	83.4	2620	150	140	127	112	94	74	53	23	

MODEL	DIMENSIONS IN INCHES				SHIP WT (LBS)
	D	d	a	B	
DVK100B	9.5	3.9	1.0	8.3	8.0

\*DO NOT USE FOR CONSTRUCTION

CONSULT FACTORY FOR CERTIFIED PRINTS



## CONTROLS



### VARIABLE SPEED CONTROLS (SOLID STATE)

VSC3 and VSC9 variable speed controls are designed for AC motors.

- VSC3 Variable Speed Control (Knob-Style) - 3 amp - 3 Wire
- VSC9 Variable Speed Control (Knob-Style) - 9 amp - 3 Wire
- DVSC5 Variable Speed Control (Decora Slide) - 5 amp



### DIGITAL TIMERS

Time control auto shut off, in preset intervals, allows for proper ventilation and energy savings. The red LED indication light remains lit until the unit shuts off.

- DT60 Digital Timer 10 - 20 - 30 - 60 Minutes



### SPRING WOUND TIMER

Spring wound timer provides energy savings by limiting the "on-time" of the fan, up to 60 minutes. CT timers are easily installed in a standard electrical box. Cover plate not included.

- CT100V Spring Wound Timer 0 - 1 Hour



### ON/OFF SWITCH (W/PILOT LIGHT)

The neon light is ON when the switch is in the ON position. 15Amp, 120V Single Pole/ AC Switch. Cover plate not included.

- PLS120V ON/OFF Switch w/Pilot Light



### OCCUPANCY SENSOR

Single relay occupancy sensor features 180 degree field of view with coverage up to 900 sq. ft. It turns the load on or off when activity is detected or has stopped.

- SOS125V Occupancy Sensor - 5 AMP



### THERMOSTAT

The TST120V thermostat is suitable for direct connection with any resistance heating element or unit heater.

- TST120V Line Voltage Thermostat, 120V



### DEHUMIDISTAT (FOR HUMIDITY CONTROL)

The adjustable sensitivity of DHST dehumidistat allows a user to prevent false cycling. The air cycle mode turns fan on/off for a set period (10, 20, 30, or 45 minutes), cycling hourly.

- DHST120V Humidity Control



### CURRENT SENSOR (SOLID STATE)

The CS120VAF current sensor provides a compact, low cost method of detecting AC current. It is ideal for ON/OFF sensing of remote equipment.

- CS120AF Current Sensor, 120V, Solid State



### PRESSURE SWITCH (WITH TIME DELAY)

Designed for HVAC or Energy Management applications, PST120V pressure switch is an airflow proving switch with an electronic cycle timing board.

- PST120V Pressure Switch w/Time Delay



### AUTO TRANSFORMER

TF auto transformer allows for voltage to be regulated to 60V & 90V increments. Channel frame mounting and metal end shells make for a simple installation.

- TF120V Auto Transformer - 90/60V



# CONTROLS, GRILLES & ACCESSORIES

## GRILLES



### AEROGRILLE VENTILATION GRILLES

AeroGrilles are designed for use with either in-line or external mount duct fans.

- AG150 AeroGrille 6"
- AG150-C AeroGrille 6", Collar
- AG150-CD AeroGrille 6", Collar, Damper

### ADJUSTABLE VENTILATION GRILLES

Designed for ceiling or wall applications, the fully adjustable GR ventilation grilles are easy to install and adjust.



- GR100 Adjustable Grille 4", Collar
- GR150 Adjustable Grille 6", Collar
- GR200 Adjustable Grille 8", Collar
- GR100-6PK Adjustable Grille 4", Collar - 6 pcs
- GR150-6PK Adjustable Grille 6", Collar - 6 pcs

### DECORATIVE VENTILATION GRILLES

These attractive grilles are designed for use with non-lighted versions of AeroFan bathroom fans.



- TGRRD90 Grille TBF90, Round Silver/Chrome
- TGRRD120 Grille TBF120, Round Silver/Chrome
- TGRSQ90 Grille TBF90, Square Silver/Chrome
- TGRSQ120 Grille TBF120, Square Silver/Chrome
- TGRCH90 Grille TBF90, Rectangular Silver/Chrome
- TGRCH120 Grille TBF120, Rectangular Silver/Chrome

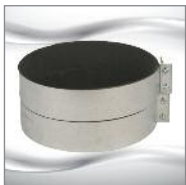
## ACCESSORIES



### DUCT REDUCERS/INCREASERS

DRI duct reducers/increasers are used to transition a duct from a larger or smaller size. Available in 28 Ga.

- DRI-04-03 Duct Reducer/Increaser, 4" - 3" Duct, Plastic
- DRI-06-04 Duct Reducer/Increaser, 6" - 4" Duct, Galvanized
- DRI-08-06 Duct Reducer/Increaser, 8" - 6" Duct, Galvanized
- DRI-10-08 Duct Reducer/Increaser, 10" - 8" Duct, Galvanized
- DRI-12-10 Duct Reducer/Increaser, 12" - 10" Duct, Galvanized
- DRI-14-12 Duct Reducer/Increaser, 14" - 12" Duct, Galvanized



### MOUNTING CLAMPS FOR RIGID DUCT

MC mounting clamps are designed for use with rigid duct. The foam neoprene layer creates an air tight installation.

- MC100 Mounting Clamps for Rigid 4" Duct (2pc)
- MC125 Mounting Clamps for Rigid 5" Duct (2pc)
- MC150 Mounting Clamps for Rigid 6" Duct (2pc)
- MC200 Mounting Clamps for Rigid 8" Duct (2pc)
- MC250 Mounting Clamps for Rigid 10" Duct (2pc)
- MC300 Mounting Clamps for Rigid 12" Duct (2pc)
- MC355 Mounting Clamps for Rigid 14" Duct (2pc)



### GEAR CLAMPS FOR FLEXIBLE DUCT

GC stainless steel gear clamps easily connect a duct fan to flexible insulated duct and other auxiliary pieces.

- GC150 Gear Clamp for 4" - 6" Duct, Stainless Steel
- GC200 Gear Clamp for 5.5" - 8.5" Duct, Stainless Steel

### LOUVERED SHUTTERS (WITH TAIL PIECE)

LS louvered shutters are designed as plastic molded vent hoods that prevent wind and rain from entering the vent.



- LS100-4W Louvered Shutter, 4" Duct
- LS150-6W Louvered Shutter, 6" Duct

## ACCESSORIES



### WYE FITTINGS

WYE fittings provide an airtight branch fitting. The crimp and bead edging ensures an easy connection.

- WYE-04 Y-Fitting, 4"x4"x4" Duct
- WYE-06 Y-Fitting, 6"x6"x6" Duct
- WYE-08 Y-Fitting, 8"x8"x8" Duct

### SOUND ATTENUATORS

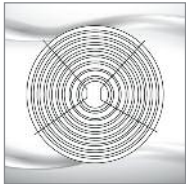
SA sound attenuators reduce fan noise traveling along ventilation ducts. Ideal for either supply or exhaust ducts.



- SA100 Sound Attenuator, 4" Duct
- SA150 Sound Attenuator, 6" Duct
- SA200 Sound Attenuator, 8" Duct
- SA250 Sound Attenuator, 10" Duct
- SA300 Sound Attenuator, 12.4" Duct
- SA400 Sound Attenuator, 16" Duct

### GUARDS

Utilize a PG guard as a grille, or mount it directly on the outlet/inlet of a fan to allow for a safe installation.



- PG100 Guard, 4" Duct
- PG125 Guard, 5" Duct
- PG150 Guard, 6" Duct
- PG200 Guard, 8" Duct
- PG250 Guard, 10" Duct
- PG300 Guard, 12" Duct

### ROOF CAPS

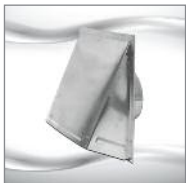
Black plastic roof caps include damper, screen, and collar. Aluminum wall caps include spring controlled damper.



- RC100 Roof Cap, 4" Duct, Black Plastic
- RC150 Roof Cap, 6" Duct, Black Plastic
- RC200 Roof Cap, 8" Duct, Black Plastic

### WALL CAPS

Aluminum wall caps include spring controlled damper.



- WC100 Wall Cap, 4" Duct, Aluminum, Reducer 4" - 3"
- WC150 Wall Cap, 6" Duct, Aluminum
- WC200 Wall Cap, 8" Duct, Aluminum

### FLEXIBLE INSULATED DUCT

FLM models are UL-181 and ULCS-110 M Class air duct, wrapped with 2-ply black polyester laminated inner core.



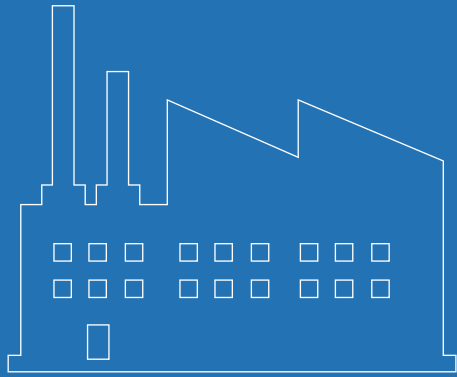
- FLM100 Flexible Insulated 4" Duct - 12.5' Length
- FLM100-25 Flexible Insulated 4" Duct - 25' Length
- FLM125 Flexible Insulated 5" Duct - 25' Length
- FLM150 Flexible Insulated 6" Duct - 25' Length
- FLM200 Flexible Insulated 8" Duct - 25' Length
- FLM250 Flexible Insulated 10" Duct - 25' Length
- FLM300 Flexible Insulated 12" Duct - 25' Length

### LINT TRAP

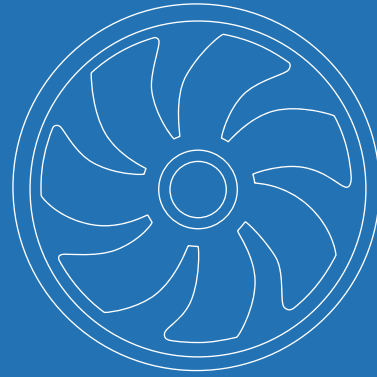
Reduce maintenance associated with dryer vents by installing a LT100 Lint Trap, which mounts to a wall or ceiling.



- LT100 Lint Trap for Dryer, 4" Duct



***Industrial Fans  
& Blowers***



***OEM Solutions  
& Custom Fans***



***Commercial Fans  
& Dampers***



***Residential Fans &  
Air Purifiers***



## Wholesale Ventilation Products

Continental Fan Manufacturing Inc.  
Buffalo, New York

Continental Fan Canada Inc.  
Mississauga, Ontario

Continental Fan Manufacturing Inc.  
Dayton, Ohio

1-800-779-4021 • [www.continentalfan.com](http://www.continentalfan.com)

Distributed by:

