



Wholesale Ventilation Products



... better AIRFLOW by DESIGN!

ROOF & WALL EXHAUST FANS

RMD DIRECT DRIVE AXIAL EXHAUST FANS

RMD Axial Exhaust Fans are suitable for roof or wall mounting in commercial ventilation applications. They are the perfect low-cost choice for areas that have little or no ductwork.

FEATURES & BENEFITS

- Suitable for roof or wall mounting
- Axial impellers constructed with die formed blades riveted to a steel hub
- Spun aluminum housing for weather-resistant durability
- Wire conduit provides a clear channel for electrical connections
- Bird screen
- Totally enclosed, permanently lubricated, ball bearing motor
- Disconnect switch
- 110 F max. temperature rating
- Available in 115V 1 phase
- Diameters range from 10" to 18"
- Direct drive capacities to 2,400 cfm



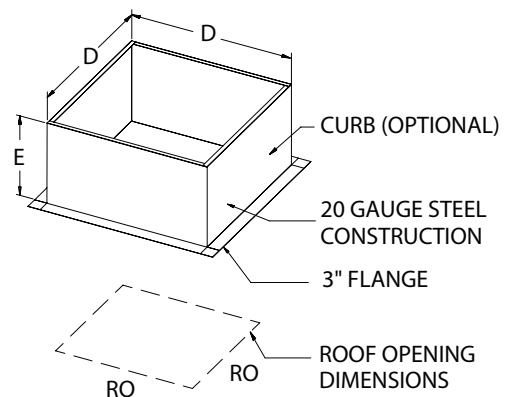
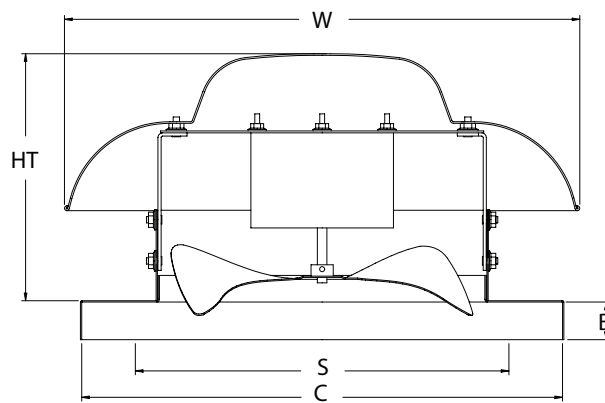
APPLICATIONS

- General ventilation
- Mechanical room exhaust
- Warehouse exhaust

ACCESSORIES / OPTIONS

- Gravity & motorized dampers
- Wall mount brackets
- Roof curb

MODEL	RPM	MTR HP	FLA	AIRFLOW PERFORMANCE (CFM)							
				0" SP	0.125" SP	0.25" SP	0.375" SP	0.50" SP	0.625" SP	0.75" SP	0.875" SP
RMD-10	1500	1/30	1.1	500	339	267	173	-	-	-	-
RMD-12	1500	1/10	1.2	830	710	620	522	436	357	270	-
RMD-14	1100	1/6	2.2	1160	899	786	646	521	384	236	-
RMD-18	1100	1/3	4.5	2400	2034	1628	1491	1293	1084	881	662



MODEL	DIMENSIONS IN INCHES*							WT (LBS)	DAMPER SQUARE	MANUFACTURE CODE
	HT	W	B	C	D	E	RO			
RMD-10	9.8	18.3	2	19	17.5	12	13	24	12	DDAR10
RMD-12	10.8	20.3	2	19	17.5	12	13	32	12	DDAR12
RMD-14	12.6	27.3	2	21	19.5	12	16	45	15	DDAR14
RMD-18	14.4	33.6	2	26	24.5	12	20	67	19	DDAR18

*DO NOT USE FOR CONSTRUCTION

CONSULT FACTORY FOR CERTIFIED PRINTS

ROOF & WALL EXHAUST FANS

CDB BELT DRIVE DOWNBLAST FANS

CDB Fans provide quiet, belt drive operation, within a weather-resistant spun aluminum housing. These commercial / light industrial fans are ideal for applications in schools, hospitals, office buildings, and much more.

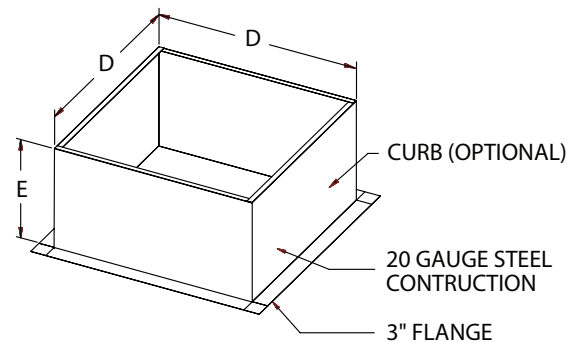
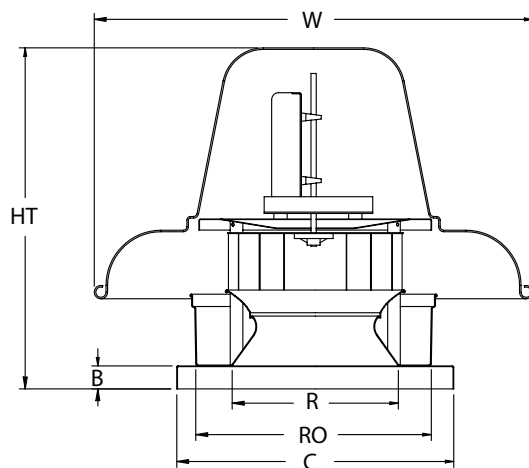
FEATURES & BENEFITS

- Suitable for roof or wall mount (up to model CDB-24/2HP)
- Backward inclined, non-overloading wheels
- Spun aluminum housing for weather-resistant durability
- Fully ventilated motor cooling compartment for long motor life
- Quick release latches for easy access to motor compartment
- Blades and inlets fabricated from aluminum
- Variable pitch motor pulley allows for field adjustment and system balancing
- High efficiency wheels and low tip speeds result in quiet operation
- Disconnect switch
- Bird screen
- Vibration isolation
- 110 F max. temperature rating
- Available in the following voltages:
 - o 115-208/230V 1 phase
 - o 208/230V 1 phase
 - o 208/230-460V 3 phase
 - o 575V 3 phase



ACCESSORIES / OPTIONS

- Gravity & motorized dampers
- Wall mount brackets
- Roof curb



DIMENSIONS IN INCHES*

MODEL	HT	W	B	C	D	E	R	RO	WT (LBS)	DAMPER SQUARE	MANUFACTURE CODE
CDB-07	25.5	26.3	2	21.0	19.5	12	12.1	16	90	15.0	BDCR7
CDB-08	25.5	26.3	2	21.0	19.5	12	12.1	16	90	15.0	BDCR8
CDB-09	25.5	26.3	2	21.0	19.5	12	12.1	16	90	15.0	BDCR9
CDB-11	25.5	26.3	2	21.0	19.5	12	12.1	16	105	15.0	BDCR11
CDB-13	27.3	29.6	2	21.0	19.5	12	13.3	16	105	15.0	BDCR13
CDB-15	30.6	33.3	2	24.8	23.0	12	14.9	20	130	19.0	BDCR15
CDB-18	32.8	38.3	2	28.0	26.5	12	16.5	24	190	23.0	BDCR18
CDB-20	32.8	38.3	2	28.0	26.5	12	18.0	24	195	23.0	BDCR20
CDB-24	37.8	42.5	2	33.0	31.5	12	23.9	28	215	27.0	BDCR24
CDB-30	40.0	52.0	2	40.0	38.0	12	24.0	36	380	35.0	BDCR30
CDB-36	43.0	66.0	2	44.5	43.0	12	30.8	36	420	35.5	BDCR36

*DO NOT USE FOR CONSTRUCTION

CONSULT FACTORY FOR CERTIFIED PRINTS

CDB BELT DRIVE DOWNBLAST FANS

PERFORMANCE														
CFM	0" SP		0.25" SP		0.50" SP		0.75" SP		1" SP		1.25" SP		1.50" SP	
	RPM	BHP	RPM	BHP	RPM	BHP	RPM	BHP	RPM	BHP	RPM	BHP	RPM	BHP
CDB-07														
350	693	0.02	975	0.05	1182	0.09	1362	0.13						
450	891	0.03	1128	0.07	1316	0.12								
CDB-08														
500	687	0.02	916	0.05	1101	0.09	1266	0.13						
700	962	0.05	1133	0.09	1289	0.14								
900	1235	0.10												
CDB-09														
700	925	0.06	1127	0.13	1292	0.20								
800	1055	0.10	1235	0.17										
900	1187	0.14	1345	0.21										
1000	1319	0.19												
CDB-11														
900	979	0.07	1166	0.13	1331	0.20	1475	0.27						
1100	1196	0.12	1350	0.20	1499	0.28								
1300	1413	0.20	1542	0.29										
1500	1630	0.31												
CDB-13														
1100	680	0.04	847	0.10	994	0.16	1143	0.23						
1300	803	0.07	950	0.13	1075	0.20	1200	0.28	1327	0.36				
1700	1049	0.15	1169	0.23	1272	0.32	1367	0.41	1462	0.50				
2100	1296	0.28	1396	0.38	1484	0.49								
CDB-15														
1600	619	0.06	765	0.13	901	0.22	1028	0.32	1146	0.42	1257	0.54	1363	0.67
2400	928	0.20	1027	0.30	1124	0.42	1218	0.55	1308	0.67				
3200	1237	0.47	1312	0.61	1386	0.75								
CDB-18														
2000	510	0.09	622	0.19	722	0.29	825	0.42	930	0.58				
2800	714	0.24	800	0.37	874	0.51	945	0.66	1017	0.82	1089	0.99		
3600	918	0.52	988	0.68	1049	0.86								
4400	1122	0.94												
CDB-20														
3000	523	0.14	614	0.27	707	0.43	796	0.59	883	0.78				
4000	697	0.34	764	0.51	834	0.69	904	0.89						
5000	872	0.67	924	0.87										
CDB-24														
3000	317	0.07	434	0.22	542	0.41	641	0.64	734	0.89	819	1.16		
5000	527	0.34	597	0.56	670	0.82	739	1.10	805	1.40	868	1.72		
7000	738	0.93	786	1.23	838	1.56	891	1.92						
9000	949	1.98												
CDB-30														
7500	457	0.67	504	1.01	547	1.34	592	1.71	639	2.12	683	2.55	724	2.98
9500	579	1.36	618	1.81	652	2.21	685	2.63						
11500	700	2.41	735	2.97										
CDB-36														
11000	375	0.86	418	1.38	459	1.91	501	2.49	543	3.11	586	3.79	628	4.51
15000	511	2.17	544	2.89	574	3.59	604	4.31						
19000	647	4.41												

ROOF & WALL EXHAUST FANS

CDD DIRECT DRIVE DOWNBLAST FANS

CDD Fans provide quiet, direct drive operation, within a weather-resistant spun aluminum housing. These commercial / light industrial fans are ideal for applications in schools, hospitals, office buildings, and much more.

FEATURES & BENEFITS

- Suitable for roof or wall mount
- Backward inclined, non-overloading wheels
- Spun aluminum housing for weather-resistant durability
- Wire conduit provides protected channel for electrical connections
- Blades and inlets fabricated from aluminum
- Bird screen
- Disconnect switch
- Variable speed control
- 110 F max. temperature rating
- Available in 115V 1 phase
- Direct drive capacities to 3,300 cfm

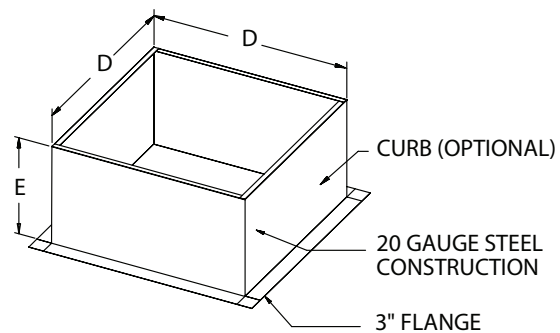
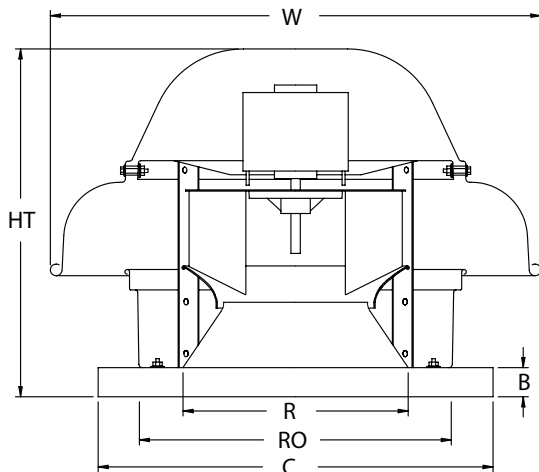


APPLICATIONS

- General ventilation
- Equipment room ventilation
- Warehouse ventilation

ACCESSORIES / OPTIONS

- Gravity & motorized dampers
- Wall mount brackets
- Roof curb



MODEL	DIMENSIONS IN INCHES*									DAMPER SQUARE	MANUFACTURE CODE
	HT	W	B	C	D	E	R	RO	WT (LBS)		
CDD-10	14.5	20.8	2	19.0	17.5	12	8.1	13	30	12	DR10H
CDD-12	16.3	23.8	2	19.0	17.5	12	10.6	13	35	12	DR12H
CDD-30	19.1	26.3	2	21.0	19.5	12	12.1	16	45	15	DR30H
CDD-33	19.1	26.3	2	21.0	19.5	12	12.1	16	45	15	DR33H
CDD-50	21.8	29.8	2	21.0	19.5	12	13.3	16	50	15	DR50H
CDD-85	23.4	33.3	2	24.8	23.0	12	14.9	20	60	19	DR85H

*DO NOT USE FOR CONSTRUCTION

CONSULT FACTORY FOR CERTIFIED PRINTS

ROOF & WALL EXHAUST FANS

CDD DIRECT DRIVE DOWNBLAST FANS

PERFORMANCE																								
CFM	0" SP		0.125" SP		0.250" SP		0.375" SP		0.50" SP		0.625" SP		0.750" SP		0.875" SP		1.00" SP		1.125" SP		1.250" SP			
	RPM	BHP	RPM	BHP	RPM	BHP	RPM	BHP	RPM	BHP	RPM	BHP	RPM	BHP	RPM	BHP	RPM	BHP	RPM	BHP	RPM	BHP		
CDD-10																								
250	786	0.01	1008	0.02	1196	0.03	1374	0.05	1534	0.07														
350	1097	0.03	1268	0.04	1417	0.06	1556	0.07																
450	1411	0.06	1546	0.07																				
CDD-12																								
400	639	0.01	839	0.03	1000	0.04	1143	0.07	1266	0.09	1384	0.12	1493	0.15	1594	0.18								
600	957	0.04	1101	0.06	1230	0.08	1345	0.11	1449	0.14	1550	0.17												
800	1274	0.09	1384	0.12	1490	0.15	1587	0.18																
1000	1592	0.18																						
CDD-30																								
800	926	0.05	1051	0.07	1163	0.09	1258	0.12	1345	0.14	1423	0.17	1495	0.19	1566	0.22								
1000	1157	0.09	1259	0.12	1355	0.14	1443	0.17	1522	0.20	1595	0.24												
1200	1389	0.16	1474	0.19	1556	0.22																		
1400	1618	0.25																						
CDD-33																								
600	731	0.03	882	0.05	1014	0.07	1124	0.10	1220	0.12	1307	0.15	1389	0.18	1467	0.22	1538	0.25	1609	0.29	1676	0.32		
800	974	0.06	1088	0.09	1201	0.12	1301	0.15	1391	0.19	1473	0.22	1547	0.26	1619	0.29	1688	0.33						
1000	1217	0.12	1307	0.15	1401	0.19	1490	0.23	1572	0.27	1650	0.31												
1200	1460	0.21	1535	0.25	1613	0.29	1690	0.33																
CDD-50																								
1000	666	0.03	792	0.06	895	0.08	986	0.11	1068	0.14	1144	0.17	1214	0.21	1282	0.25	1346	0.28	1406	0.32	1464	0.37		
1400	931	0.09	1026	0.13	1112	0.16	1188	0.20	1259	0.23	1325	0.27	1388	0.31	1448	0.35	1504	0.40	1559	0.44	1611	0.49		
1800	1197	0.20	1273	0.24	1344	0.28	1410	0.33	1472	0.37	1531	0.42	1586	0.46										
2200	1463	0.36	1524	0.41	1586	0.46																		

CFM	0" SP		0.25" SP		0.50" SP		0.750" SP		1.00" SP		1.250" SP		1.50" SP		1.750" SP	
	RPM	BHP	RPM	BHP	RPM	BHP	RPM	BHP	RPM	BHP	RPM	BHP	RPM	BHP	RPM	BHP
CUD-85																
1500	705	0.06	893	0.13	1038	0.20	1161	0.29	1271	0.38	1372	0.47	1466	0.58	1556	0.69
1900	892	0.13	1049	0.21	1180	0.30	1293	0.39	1394	0.50	1488	0.60	1575	0.71		
2300	1080	0.23	1212	0.33	1331	0.43	1436	0.54	1529	0.65						
2700	1268	0.37	1382	0.48	1488	0.60	1585	0.73								
3100	1455	0.56	1555	0.69												

ROOF & WALL EXHAUST FANS

CUB BELT DRIVE UPBLAST FANS

CUB Belt Drive Upblast Exhaust Fans are designed to discharge contaminated exhaust air away from roof surfaces and building walls. Available in UL762 Restaurant Exhaust Kits, CUB fans are suitable for commercial range hood exhaust and much more.

FEATURES & BENEFITS

- Suitable for roof or wall mount (up to model CUB24/2HP)
- Backward inclined, non-overloading wheels
- Spun aluminum housing for weather-resistant durability
- Fully ventilated motor cooling compartment for long motor life
- Quick release latches for easy access to motor compartment
- Blades and inlets fabricated from aluminum
- Variable pitch motor pulley allows for field adjustment and system balancing
- High efficiency wheels and low tip speeds result in quiet operation
- Disconnect switch
- Fully welded leak-proof grease drain
- 300 F max. temperature rating
- Available in the following voltages:
 - o 115V 1 phase
 - o 208/230V 1 phase
 - o 208/230-460V 3 phase
 - o 575V 3 phase



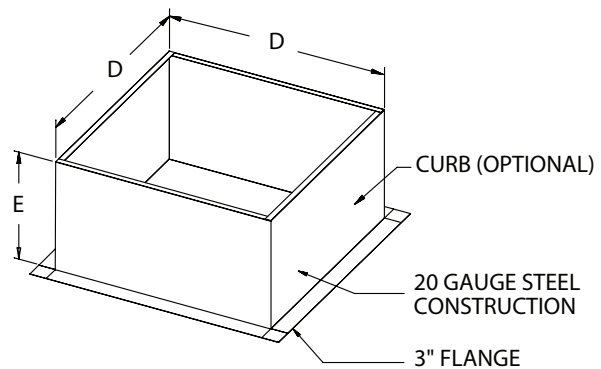
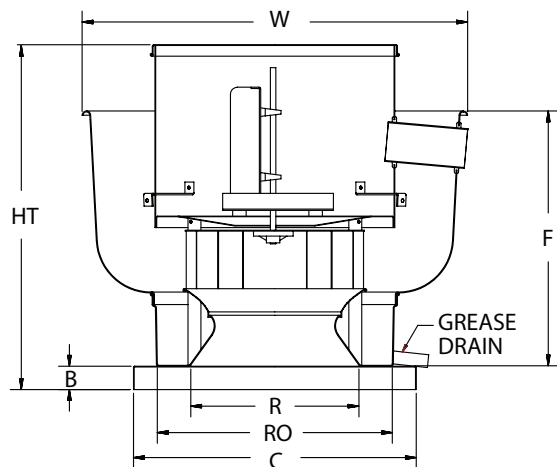
ACCESSORIES / OPTIONS

- Gravity damper (UL705 only)
- Bird screen (UL705 only)
- Motorized damper (UL705 only)
- Wall mount brackets
- Roof curb (vented or non-vented)

RESTAURANT EXHAUST KITS (UL762)

- Kits include the following:
 - o Grease cup
 - o Grease pipe
 - o Down spout
 - o Hinge kit

Note: Restaurant exhaust (UL762) requires the use of a vented roof curb. Select 20" high roof curbs are available.



DIMENSIONS IN INCHES*												
MODEL	HT	W	B	C	D	E	F	R	RO	WT (LBS)	DAMPER SQUARE	MANUFACTURE CODE
CUB-11	25.3	27.3	2	21.0	19.5	22	18.5	12.1	16	105	15.0	BDU11
CUB-13	27.3	30.3	2	21.0	19.5	20	21.5	13.3	16	120	15.0	BDU13
CUB-15	30.6	33.8	2	24.8	23.0	20	23.0	14.9	20	140	19.0	BDU15
CUB-18	33.9	39.4	2	28.0	26.5	20	23.5	16.5	24	190	23.0	BDU18
CUB-20	33.5	38.9	2	28.0	26.5	20	29.5	18.0	24	195	23.0	BDU20
CUB-24	37.5	43.4	2	33.0	31.5	20	30.6	23.9	28	270	27.0	BDU24
CUB-30	40.0	52.8	2	40.0	38.5	20	33.5	24.0	36	410	35.0	BDU30
CUB-36	49.5	66.0	2	44.5	43.0	20	47.5	30.8	36	470	35.5	BDU36

*DO NOT USE FOR CONSTRUCTION

CONSULT FACTORY FOR CERTIFIED PRINTS

ROOF & WALL EXHAUST FANS

CUB BELT DRIVE UPBLAST FANS

PERFORMANCE																		
CFM	0" SP		0.25" SP		0.50" SP		0.75" SP		1" SP		1.25" SP		1.50" SP		1.75" SP		2" SP	
	RPM	BHP	RPM	BHP	RPM	BHP	RPM	BHP	RPM	BHP	RPM	BHP	RPM	BHP	RPM	BHP	RPM	BHP
CUB-11																		
800	831	0.04	1061	0.09	1238	0.14	1399	0.20	1547	0.26	1688	0.33						
1000	1038	0.07	1235	0.13	1393	0.19	1531	0.26	1661	0.33	1786	0.41						
1200	1246	0.13	1417	0.20	1558	0.27	1685	0.35										
1400	1454	0.20	1604	0.28	1735	0.37												
1600	1661	0.30	1794	0.39														
CUB-13																		
1300	952	0.13	1093	0.21	1224	0.31	1343	0.41										
1500	1098	0.20	1222	0.29	1339	0.39												
1700	1245	0.28	1355	0.39	1460	0.50												
1900	1391	0.40																
CUB-15																		
2400	958	0.23	1053	0.33	1146	0.45	1236	0.57	1324	0.70								
2600	1038	0.29	1125	0.40	1212	0.52	1297	0.66	1379	0.79								
2800	1118	0.36	1198	0.48	1280	0.61	1359	0.75										
3000	1198	0.44	1273	0.57	1349	0.71												
3200	1277	0.54	1348	0.67														
3400	1357	0.65																
CUB-18																		
2500	655	0.17	748	0.28	832	0.39	921	0.55	1016	0.74	1112	0.95	1204	1.16				
3000	785	0.29	867	0.43	937	0.55	1007	0.70	1080	0.88	1158	1.09	1238	1.33				
3500	916	0.46	989	0.63	1050	0.77	1109	0.92	1169	1.10	1232	1.30						
4000	1047	0.69	1113	0.88	1168	1.05	1220	1.21										
4500	1178	0.98	1238	1.21														
CUB-20																		
3700	672	0.31	735	0.46	810	0.63	884	0.82	954	1.02	1020	1.23	1085	1.44				
4200	763	0.45	817	0.61	881	0.80	947	1.01	1012	1.22	1073	1.45						
4700	853	0.63	901	0.81	956	1.01	1015	1.23	1074	1.47								
5200	944	0.85	986	1.05	1034	1.27	1087	1.50										
5700	1035	1.12	1073	1.34														
CUB-24																		
3500	413	0.20	502	0.41	581	0.64	650	0.89	712	1.15								
4500	530	0.43	602	0.69	668	0.97	729	1.26	785	1.57	838	1.90	887	2.24				
5500	648	0.79	708	1.10	764	1.43	817	1.77					961	2.88				
6500	766	1.30	818	1.67														
CUB-30																		
7000	520	0.89	569	1.26	617	1.69	662	2.15	703	2.61	743	3.09	782	3.57	819	4.06	855	4.57
8000	594	1.32	637	1.73	680	2.21	721	2.73	759	3.25	796	3.78	831	4.32	865	4.86		
9000	669	1.88	707	2.33	745	2.86	782	3.42	818	4.00	852	4.59						
10000	743	2.58	777	3.07	812	3.64	846	4.25	879	4.88								
11000	817	3.44	848	3.97	880	4.57												
12000	891	4.46																
CUB-36																		
8500	315	0.53	366	1.00	416	1.53	463	2.10	506	2.71	547	3.36	587	4.06				
10500	389	1.01	430	1.56	472	2.18	512	2.84	550	3.54	587	4.27	621	5.03	655	5.82	688	6.65
12500	463	1.70	498	2.34	533	3.05	567	3.80	601	4.59	634	5.41	665	6.25				
14500	537	2.65	567	3.39	597	4.18	627	5.02	657	5.89	686	6.80						
18500	685	5.49	709	6.43	732	7.40												

ROOF & WALL EXHAUST FANS

CUD DIRECT DRIVE UPBLAST FANS

CUD Direct Drive Upblast Exhaust Fans are designed to discharge contaminated exhaust air away from roof surfaces and building walls. Available in UL762 Restaurant Exhaust Kits, CUB fans are suitable for commercial range hood exhaust and much more.

FEATURES & BENEFITS

- Suitable for roof or wall mount
- Backward inclined, non-overloading wheels
- Spun aluminum housing for weather-resistant durability
- Fully enclosed drive compartment protects motor from airborne contaminants
- Fully ventilated motor cooling compartment for long motor life
- Quick release latches for easy access to motor compartment
- Blades and inlets fabricated from aluminum
- Variable speed control (standard on single phase units only)
- Disconnect switch
- Fully welded leak-proof grease drain (except for model CUD-10)
- 300 F max. temperature rating (except for model CUD-10)
- Available in the following voltages:
 - o 115V 1 phase
 - o 208/230-460V 3 phase



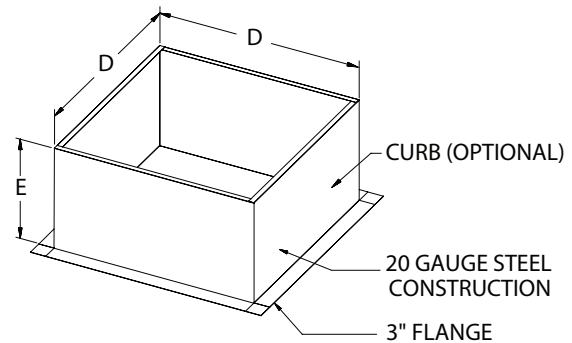
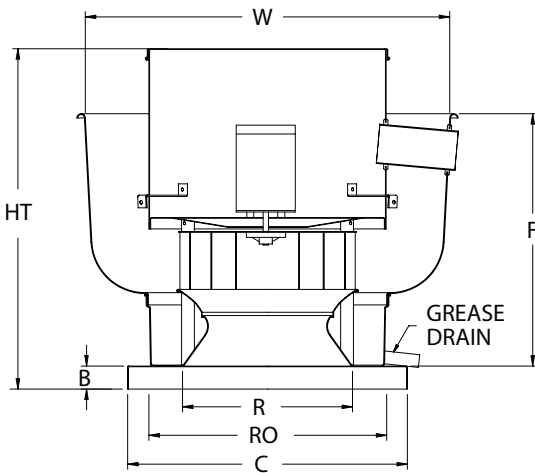
ACCESSORIES / OPTIONS

- Gravity damper
- Bird screen
- Motorized damper
- Wall mount brackets
- Roof curb (vented or non-vented)

RESTAURANT EXHAUST KITS (UL762)

- Kits include the following:
 - o Grease cup
 - o Grease pipe
 - o Down spout
 - o Hinge kit

Note: Restaurant exhaust (UL762) requires the use of a vented roof curb. Select 20" high roof curbs are available.



MODEL	DIMENSIONS IN INCHES*										WT (LBS)	DAMPER SQUARE	MANUFACTURE CODE
	HT	W	B	C	D	E	F	R	RO				
CUD-10	14.5	17.8	2	19.0	17.5	12	9.5	8.1	13	30	12	DU10H	
CUD-12	18.0	22.0	2	19.0	17.5	12	14.5	10.6	13	40	12	DU12H	
CUD-30	25.3	25.5	2	21.0	19.5	12	18.5	12.1	16	50	15	DU30H	
CUD-33	25.3	25.5	2	21.0	19.5	12	18.5	12.1	16	50	15	DU33H	
CUD-50	27.3	28.9	2	21.0	19.5	12	21.5	13.3	16	55	15	DU50H	
CUD-85	30.5	31.9	2	24.8	23.0	12	23.0	14.9	20	60	19	DU85H	

*DO NOT USE FOR CONSTRUCTION

CONSULT FACTORY FOR CERTIFIED PRINTS

ROOF & WALL EXHAUST FANS

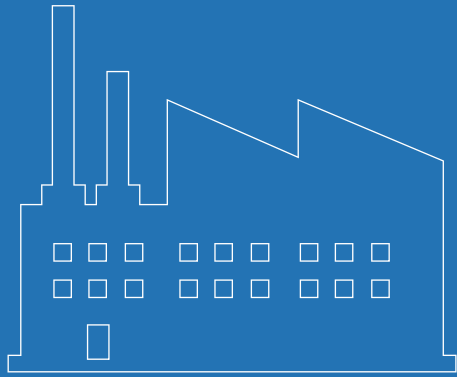
CUD DIRECT DRIVE UPBLAST FANS

PERFORMANCE																		
CFM	0" SP		0.125" SP		0.250" SP		0.375" SP		0.50" SP		0.625" SP		0.750" SP		0.875" SP		1" SP	
	RPM	BHP	RPM	BHP	RPM	BHP	RPM	BHP	RPM	BHP	RPM	BHP	RPM	BHP	RPM	BHP	RPM	BHP
CUD-10																		
250	755	0.01	969	0.02	1152	0.03	1309	0.04	1453	0.06	1582	0.08						
300	906	0.01	1091	0.03	1255	0.04	1402	0.06	1531	0.07								
400	1205	0.04	1351	0.05	1481	0.07	1606	0.08										
500	1506	0.07																
CUD-12																		
300	509	0.01	746	0.02	940	0.04	1103	0.06	1245	0.08	1370	0.11	1478	0.14	1587	0.18		
500	846	0.03	1002	0.04	1142	0.07	1272	0.09	1393	0.12	1511	0.15	1613	0.18				
700	1184	0.07	1304	0.10	1408	0.12	1509	0.15	1606	0.18								
900	1520	0.15																

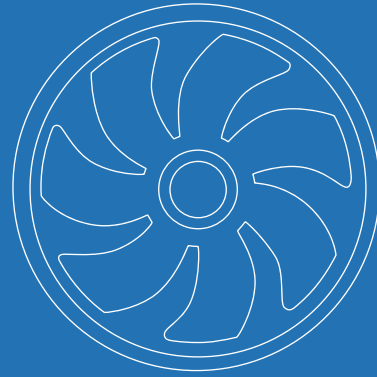
CFM	0" SP		0.25" SP		0.50" SP		0.750" SP		1.00" SP		1.250" SP		1.50" SP		1.750" SP		2.00" SP	
	RPM	BHP	RPM	BHP	RPM	BHP	RPM	BHP	RPM	BHP	RPM	BHP	RPM	BHP	RPM	BHP	RPM	BHP
CUD-30																		
850	1071	0.05	1239	0.09	1396	0.14	1543	0.19										
1050	1321	0.10	1460	0.15	1593	0.20												
1250	1572	0.17																

CFM	0" SP		0.125" SP		0.250" SP		0.375" SP		0.50" SP		0.625" SP		0.750" SP		0.875" SP		1" SP	
	RPM	BHP	RPM	BHP	RPM	BHP	RPM	BHP	RPM	BHP	RPM	BHP	RPM	BHP	RPM	BHP	RPM	BHP
CUD-33																		
700	857	0.04	974	0.06	1094	0.09	1199	0.12	1292	0.15	1375	0.18	1452	0.21	1525	0.24	1595	0.28
900	1102	0.09	1189	0.11	1286	0.14	1380	0.18	1466	0.21	1544	0.25	1619	0.29				
1100	1346	0.17	1416	0.19	1493	0.23	1574	0.27										
1300	1591	0.27																

CFM	0" SP		0.25" SP		0.50" SP		0.750" SP		1.00" SP		1.250" SP		1.50" SP		1.750" SP		2.00" SP	
	RPM	BHP	RPM	BHP	RPM	BHP	RPM	BHP	RPM	BHP	RPM	BHP	RPM	BHP	RPM	BHP	RPM	BHP
CUD-50																		
1200	915	0.09	1117	0.16	1277	0.24	1418	0.32	1548	0.42								
1500	1143	0.17	1315	0.26	1455	0.35	1582	0.45										
1800	1372	0.29	1519	0.40														
2100	1601	0.46																
CUD-85																		
1200	582	0.04	773	0.09	917	0.15	1041	0.22	1152	0.30	1254	0.39	1348	0.49	1435	0.59	1517	0.69
1600	776	0.09	928	0.16	1057	0.23	1167	0.32	1267	0.40	1359	0.50	1445	0.60	1527	0.71		
2000	969	0.18	1093	0.26	1208	0.35	1309	0.45	1401	0.55	1485	0.65						
2400	1163	0.31	1266	0.40	1368	0.51	1461	0.62	1545	0.73								
2800	1357	0.50	1445	0.60	1533	0.72												
3200	1550	0.74																



***Industrial Fans
& Blowers***



***OEM Solutions
& Custom Fans***



***Commercial Fans
& Dampers***



***Residential Fans &
Air Purifiers***



Wholesale Ventilation Products

Continental Fan Manufacturing Inc.
203 Eggert Road
Buffalo, New York 14215

Continental Fan Canada Inc.
12-205 Matheson Blvd. E
Mississauga, Ontario L4Z 3E3

Continental Fan Manufacturing Inc.
6274 Executive Blvd.
Dayton, Ohio 45424

1-800-779-4021 • www.continentalfan.com

Distributed by:

