

# TF140-DC TRANQUIL BATHROOM FAN

The TF140-DC Tranquil Bathroom Fan has been awarded the ENERGY STAR® Most Efficient Mark in 2019. Products that are recognized as the Most Efficient of ENERGY STAR in 2019 prevent greenhouse gas emissions by meeting rigorous energy efficiency performance levels set by the U.S. Environmental Protection Agency.

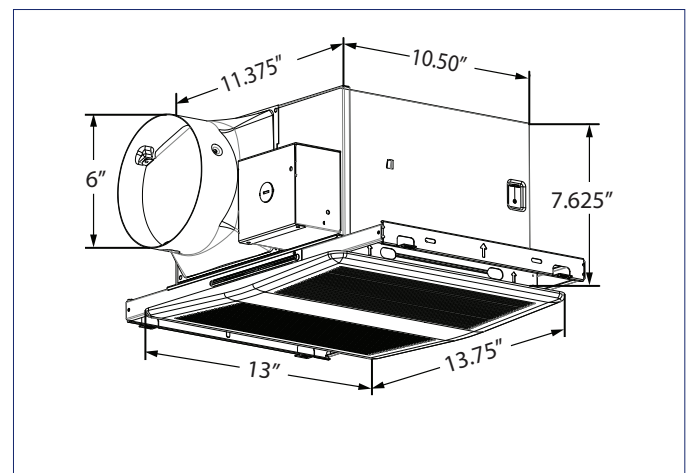
With its high efficiency DC motor, the TF140-DC Tranquil bathroom fan offers whisper-quiet exhaust that is under 1 sone. Toggle switch positioning determines the desired airflow rate, ranging from 90 to 150 cfm.

## FEATURES & BENEFITS

- Recognized as the Most Efficient of ENERGY STAR® in 2019
- Multi-speed fan
- Efficient DC motor
- Whisper-quiet, under 1 sone
- Superior ventilation & efficient performance
- Clean, simple grille design
- Galvanized steel housing with mounting frame
- Easy installation to joist
- Built-in backdraft damper
- 120V, 60 Hz, single phase operation
- Automatic reset thermal overload protection
- ENERGY STAR & HVI Certified
- Fits 6" duct



PERFORMANCE				
Model	TF140			
Airflow @ 0.1" SP (cfm)	90	100	120	150
Sones	0.3	0.3	0.3	0.5
Watts	6.0	6.5	8.7	12.4
Duct Dia. (in.)	6			
Manufacture Code	SED1104			



*\*DO NOT USE DRAWINGS FOR CONSTRUCTION  
CONSULT FACTORY FOR CERTIFIED PRINTS*

