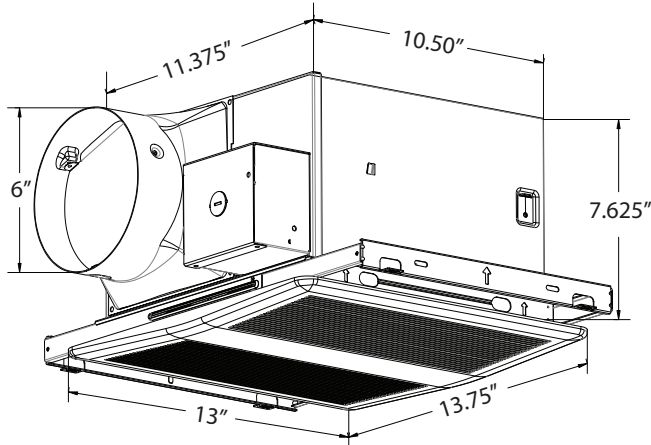





MODEL: TF140-DC TRANQUIL BATHROOM FAN

With its high efficiency DC motor, the TF140-DC Tranquil bathroom fan offers whisper-quiet exhaust that is under 1 sone. Toggle switch positioning determines the desired airflow rate, ranging from 90 to 150 cfm.



Model	TF140-DC			
Airflow @ 0.1" SP (cfm)	90	100	120	150
Noise (Sones)	0.3	0.3	0.3	0.5
Power Consumption (W)	6.0	6.5	8.7	12.4
Power Rating (V/Hz)	120V / 60 Hz			
Duct Diameter (in.)	6			
Manufacture Code	SED1104			

CONSTRUCTION

- Multi-speed fan
- Galvanized steel housing
- Clean, simple grille design
- Install to joist with mounting frame
- Built-in backdraft damper
- Fits 6" duct

MOTOR

- Efficient DC motor
- Single phase
- 120V, 60 Hz
- Automatic reset thermal overload protection

PROJECT				ARCHITECT		
DATE				ENGINEER		
SUBMITTED BY				CONTRACTOR		
SPECIFICATION						
FAN NO.	MODEL NO.	CFM	VOLTS	WATTS	QTY	OPTIONAL EQUIPMENT