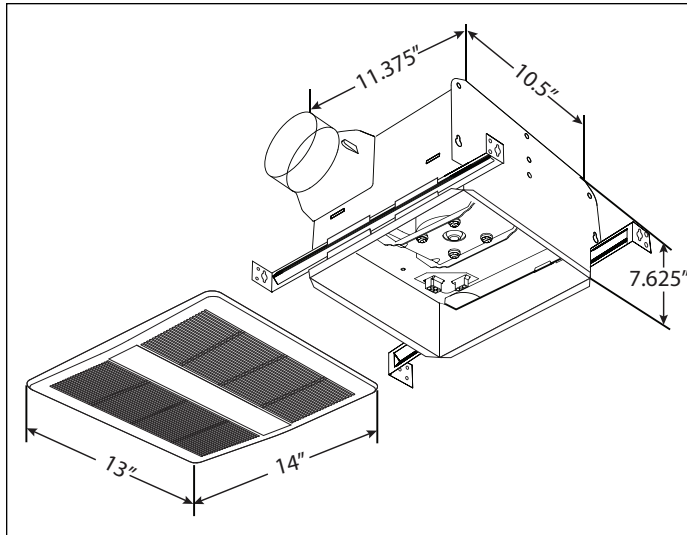


better AIRFLOW by DESIGN™

MODEL: TF TRANQUIL BATHROOM FANS

TF Tranquil bathroom fans offer whisper-quiet exhaust (under 1 sone). The built-in damper prevents a backdraft, keeping tempered air in a home when the fan is not operating.



Model	TF80	TF110
Air Volume (cfm @ 0.1" SP)	80	110
Air Volume (cfm @ 0.25" SP)	58	100
Noise (Sones)	0.4	0.9
Power Consumption (W)	25	33
Power Rating (V/Hz)	120V / 60 Hz	120V / 60 Hz
Duct Diameter (In.)	4 & 6	4 & 6



CONSTRUCTION

- Galvanized steel housing
- Clean, simple grille design
- Double hanger mounting brackets adjust to 24" span
- Built-in backdraft damper
- Available to fit duct sizes 4" & 6"
- TF110 is HVI certified and Energy Star qualified for 6" duct only

MOTOR

- Efficient AC motor
- Single phase
- 120V, 60 Hz
- Automatic reset thermal overload protection

PROJECT				ARCHITECT			
DATE				ENGINEER			
SUBMITTED BY				CONTRACTOR			
SPECIFICATION							
FAN NO.	MODEL NO.	CFM	VOLTS	WATTS	AMPS	QTY	OPTIONAL EQUIPMENT

Continental Fan Manufacturing Inc.
203 Eggert Road
Buffalo, New York 14215

Continental Fan Canada Inc.
12-205 Matheson Blvd E
Mississauga, Ontario L4Z 3E3

Continental Fan Manufacturing Inc.
6274 Executive Blvd.
Dayton, Ohio 45424