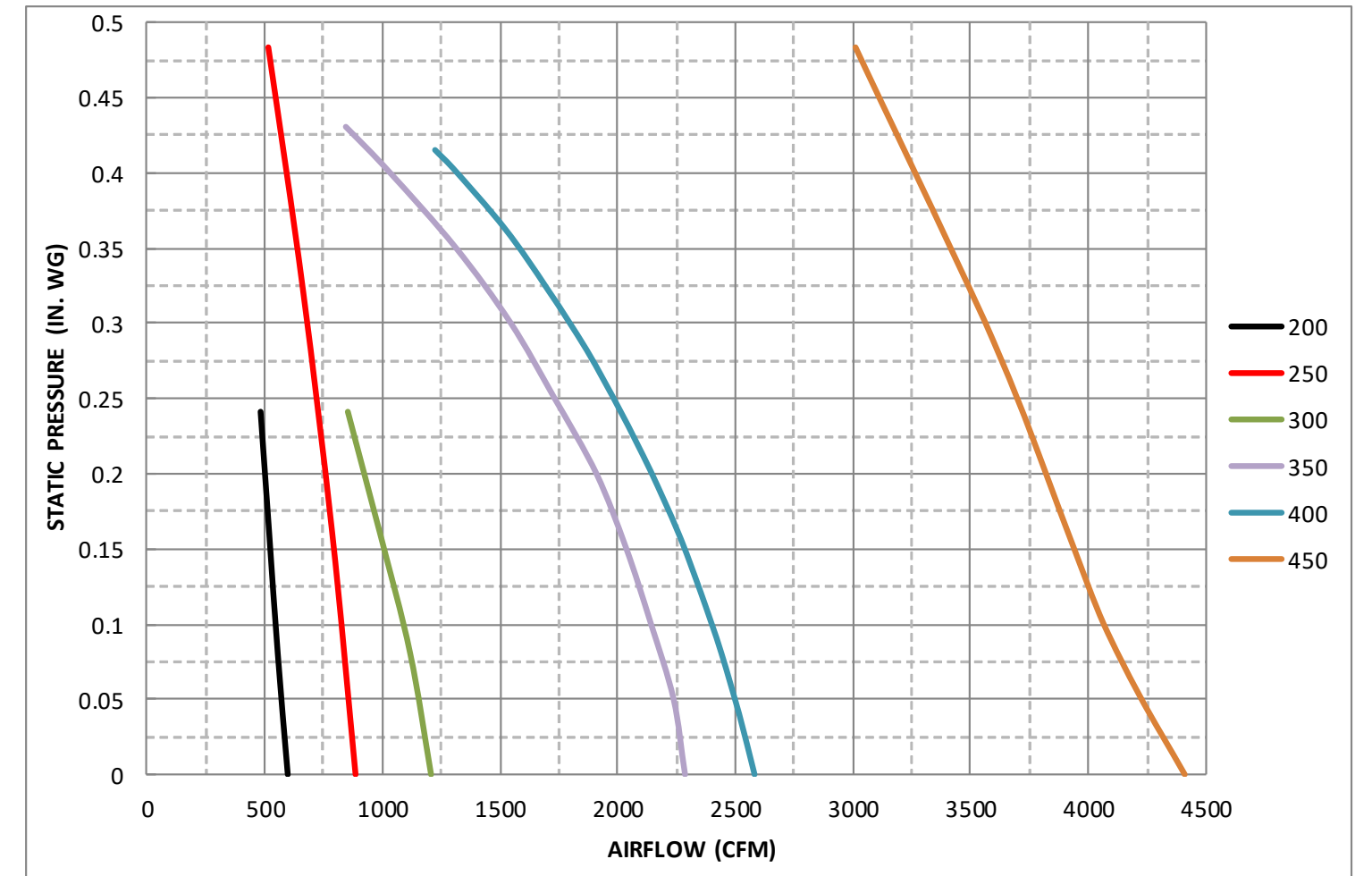
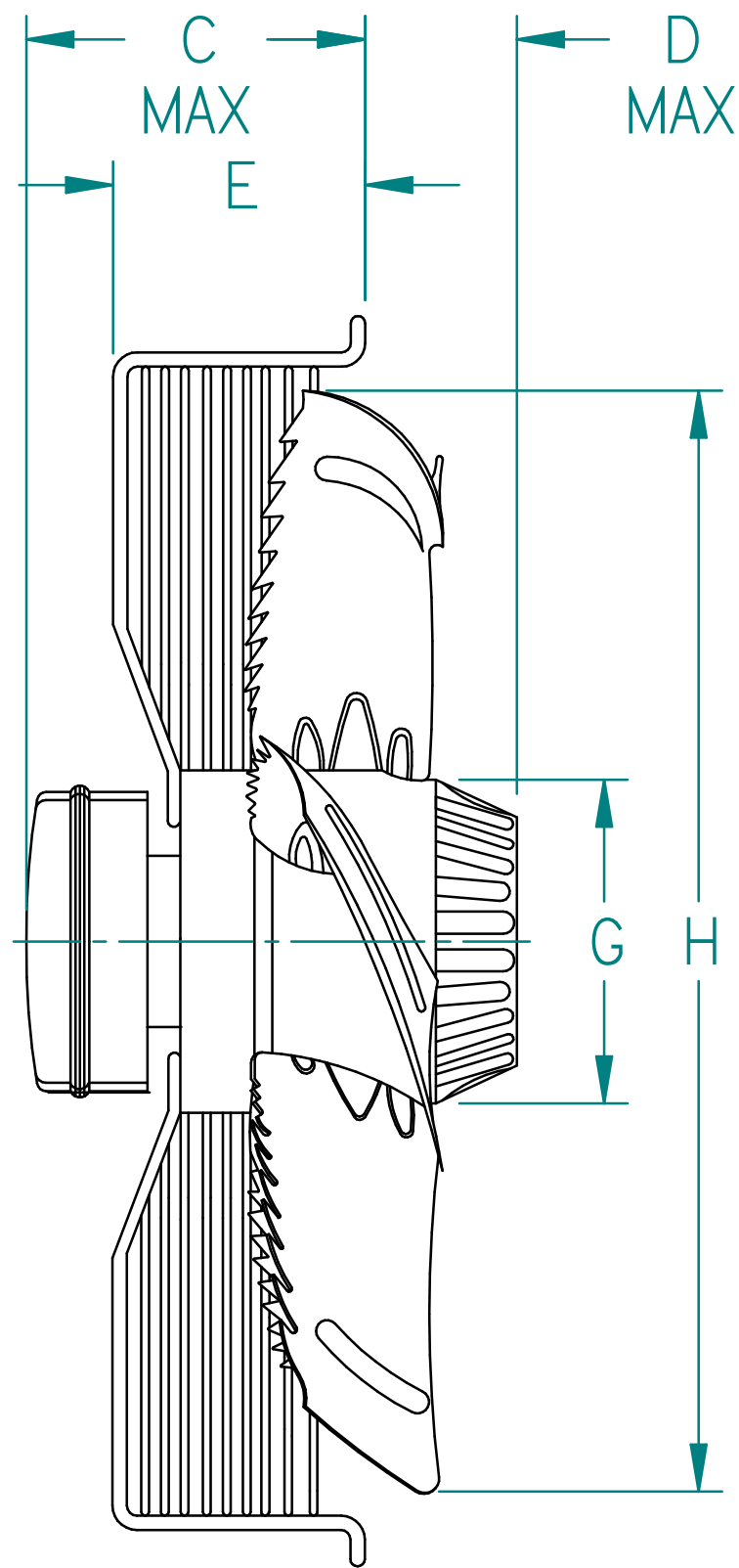
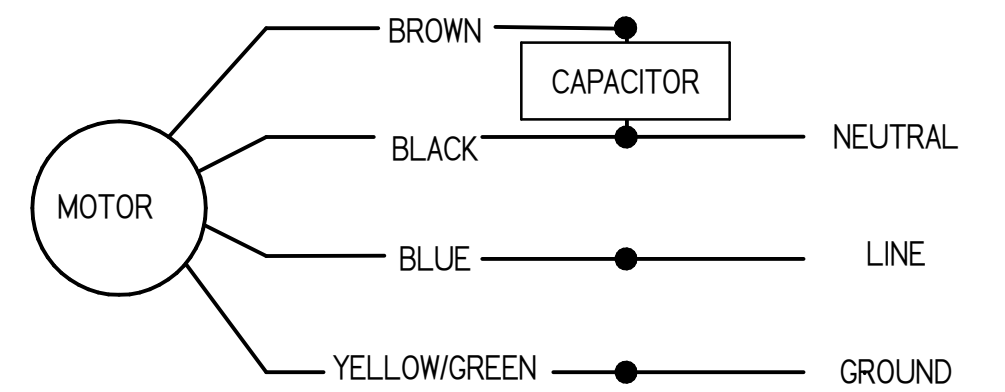


4 X M DIAMETER MOUNTING HOLES
EQUALLY SPACED ABOUT GUARD



→
A AIRFLOW DIRECTION



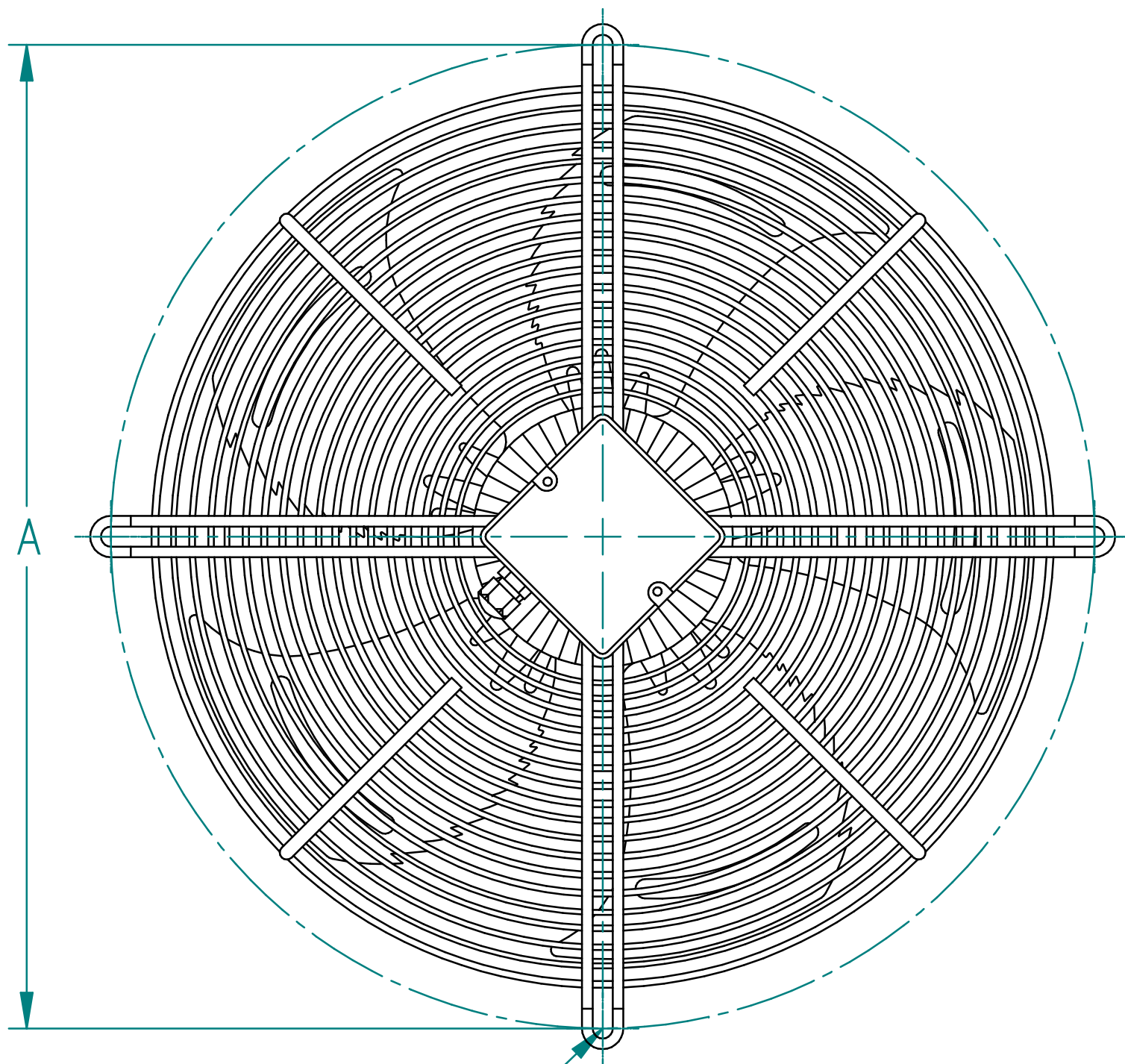
MOTOR WIRING DIAGRAM

MODEL	DIMENSIONS (IN INCHES)							ROTATION
	A	C	D	E	G	H	M	
DXG200-2AC	10.2	4.1	1.3	2.6	3.6	7.9	0.3	CW
DXG250-2AC	12.7	4.6	0.8	3.0	3.6	9.8	0.3	CW
DXG300-2AC	14.2	4.3	1.5	3.1	3.6	11.6	0.3	CW
DXG350-4AC	16.6	4.8	2.6	3.1	4.0	13.8	0.4	CCW
DXG400-4AC	18.5	5.1	2.8	3.5	4.0	15.7	0.4	CW
DXG450-4AC	20.6	5.2	2.6	3.5	4.0	17.7	0.4	CW

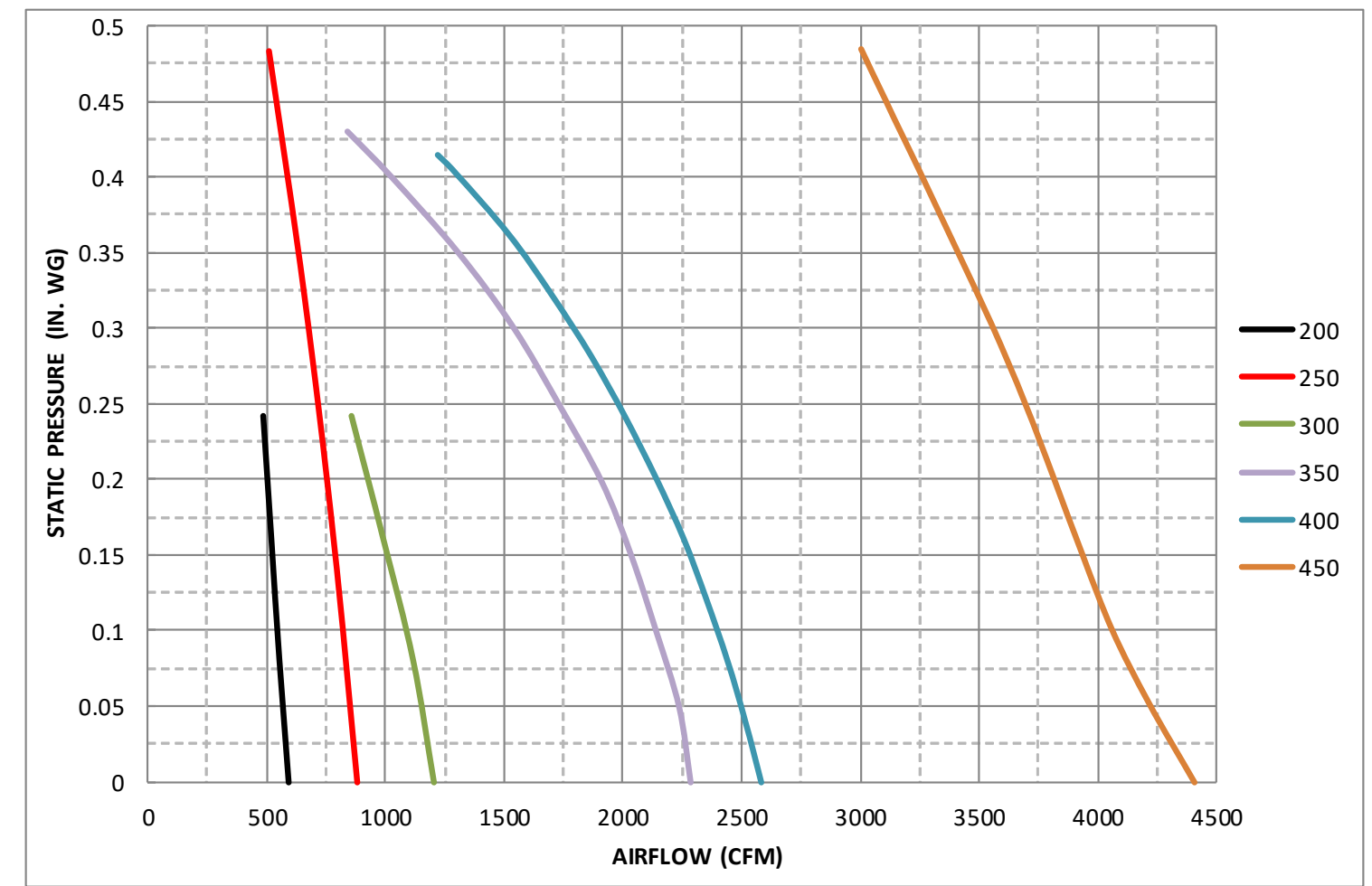
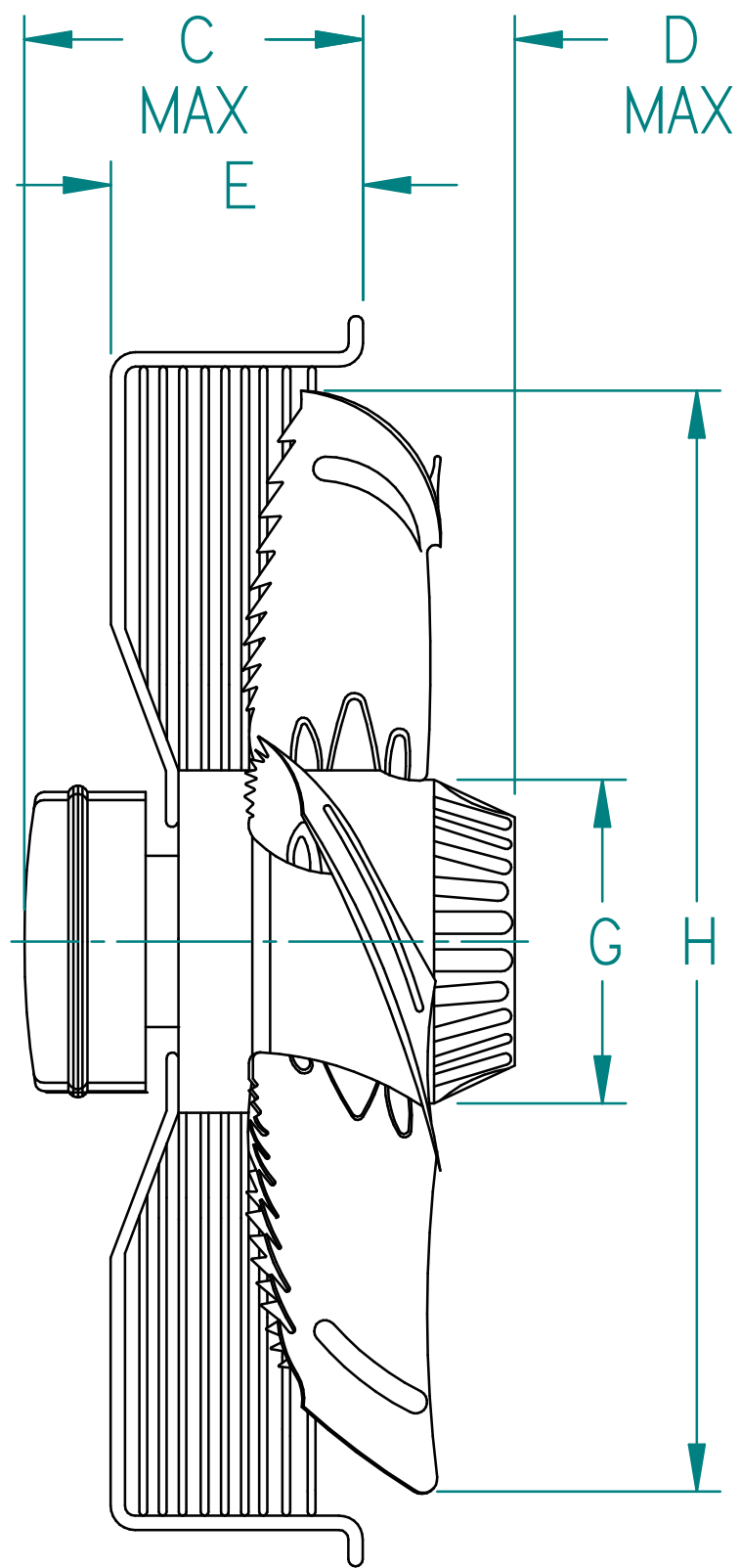
ALL UNITS IN INCHES UNLESS
SPECIFIED OTHERWISE

DIMENSIONS SUBJECT TO CHANGE WITHOUT NOTICE.
DRAWING NOT TO BE USED FOR CONSTRUCTION.

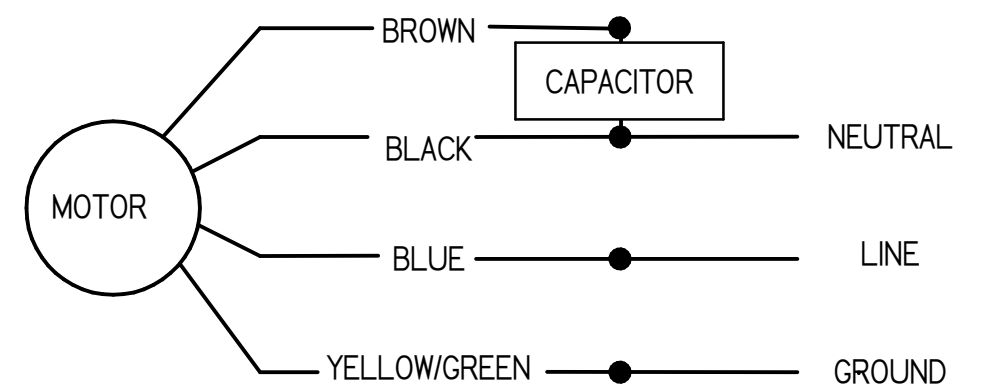
		CFM	
		Better Airflow By Design	
		DXG-AC GENERAL SUBMITTAL	
		AC MOTORIZED AXIAL WITH GUARD	
01	18 MAR 2015	JME	
REV.	DATE	BY	J. M. EVANS 13 JAN 2015 DXG-AC General Submittal.dft



4 X M DIAMETER MOUNTING HOLES
EQUALLY SPACED ABOUT GUARD



V AIRFLOW DIRECTION



MOTOR WIRING DIAGRAM

MODEL	DIMENSIONS (IN INCHES)							ROTATION
	A	C	D	E	G	H	M	
DXG200-2AC	10.2	4.1	1.3	2.6	3.6	7.9	0.3	CW
DXG250-2AC	12.7	4.6	0.8	3.0	3.6	9.8	0.3	CW
DXG300-2AC	14.2	4.3	1.5	3.1	3.6	11.6	0.3	CW
DXG350-4AC	16.6	4.8	2.6	3.1	4.0	13.8	0.4	CCW
DXG400-4AC	18.5	5.1	2.8	3.5	4.0	15.7	0.4	CW
DXG450-4AC	20.6	5.2	2.6	3.5	4.0	17.7	0.4	CW

ALL UNITS IN INCHES UNLESS
SPECIFIED OTHERWISE

DIMENSIONS SUBJECT TO CHANGE WITHOUT NOTICE.
DRAWING NOT TO BE USED FOR CONSTRUCTION.

		CFM	
		Better Airflow By Design	
		DXG-AC GENERAL SUBMITTAL	
		AC MOTORIZED AXIAL WITH GUARD	
01	18 MAR 2015	JME	
REV.	DATE	BY	J. M. EVANS 13 JAN 2015 DXG-AC General Submittal.dft