

# ECP EC DIRECT DRIVE PANEL FAN

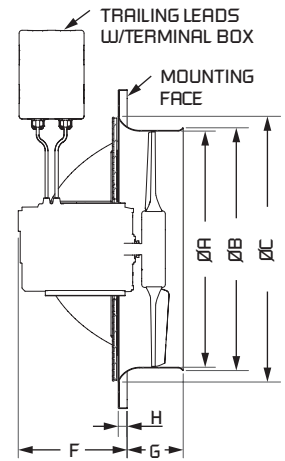
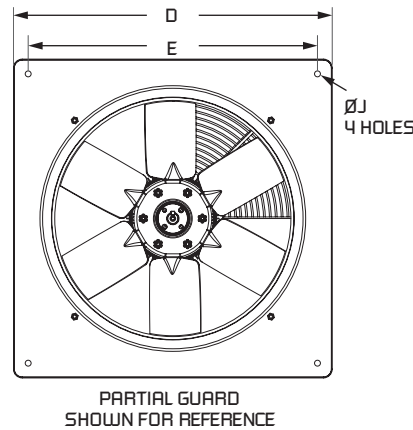
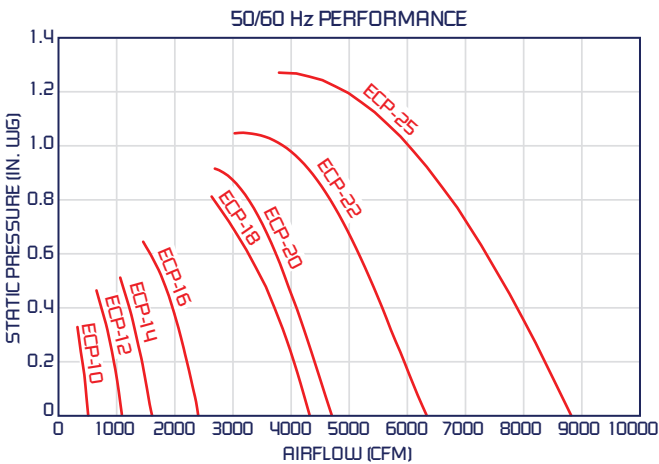
Continental Fan's new ECP EC Direct Drive Panel Fan features a compact design and high efficiency EC motor. The high efficiency motor complies with the efficiency level IE5, providing significant cost-savings through lower energy consumption. The inclusion of an EC motor permits the ability to speed control without a VFD, thus reducing cost and time required to program a VFD.

## FEATURES & BENEFITS

- High efficiency, lightweight induction EC motor
- Airfoil design, adjustable pitch GRP impeller
- Fully speed controllable
- Fitted IP55 terminal box for easy installation
- Vertical or horizontal mounting
- Variable speed operating range: -4 F to 122 F
- Capacities to 8,800 cfm

## APPLICATIONS

- Factories
- Shops
- Warehousing
- Sports halls
- Industrial units
- Schools



| 220-277V                  |      | 50/60 Hz PERFORMANCE |      |
|---------------------------|------|----------------------|------|
| MAXIMUM PERFORMANCE CHART |      |                      |      |
| MODEL                     | CFM  | RPM                  | BHP  |
| ECP-10                    | 510  | 1795                 | 0.08 |
| ECP-12                    | 1090 | 1800                 | 0.15 |
| ECP-14                    | 1600 | 1780                 | 0.24 |
| ECP-16                    | 2400 | 1780                 | 0.35 |
| ECP-18                    | 4300 | 1800                 | 0.57 |
| ECP-20                    | 4700 | 1800                 | 0.86 |
| ECP-22                    | 6300 | 1810                 | 1.25 |
| ECP-25                    | 8800 | 1800                 | 1.80 |

| MODEL  | DIMENSIONS IN INCHES* |       |       |       |       |      |      |      |      | WT (LBS) |
|--------|-----------------------|-------|-------|-------|-------|------|------|------|------|----------|
|        | A                     | B     | C     | D     | E     | F    | G    | H    | J    |          |
| ECP-10 | 9.84                  | 10.28 | 10.83 | 14.57 | 12.60 | 7.76 | 2.95 | 0.59 | 0.28 | 22       |
| ECP-12 | 12.40                 | 12.83 | 14.17 | 16.93 | 14.96 | 7.91 | 2.95 | 0.59 | 0.39 | 24       |
| ECP-14 | 13.78                 | 14.21 | 15.55 | 19.09 | 17.13 | 7.64 | 2.95 | 0.59 | 0.39 | 24       |
| ECP-16 | 15.75                 | 16.18 | 17.72 | 21.26 | 19.29 | 6.69 | 3.74 | 0.59 | 0.39 | 29       |
| ECP-18 | 17.72                 | 18.15 | 19.69 | 22.64 | 21.06 | 7.80 | 3.74 | 0.59 | 0.39 | 33       |
| ECP-20 | 19.69                 | 20.16 | 22.05 | 25.79 | 25.79 | 9.09 | 3.94 | 0.59 | 0.39 | 46       |
| ECP-22 | 22.05                 | 22.72 | 24.41 | 28.54 | 26.38 | 9.72 | 3.94 | 0.59 | 0.39 | 53       |
| ECP-25 | 24.80                 | 25.47 | 27.56 | 31.69 | 29.53 | 9.88 | 4.13 | 0.79 | 0.39 | 59       |

\*DO NOT USE FOR CONSTRUCTION

CONSULT FACTORY FOR CERTIFIED PRINTS