

GEV GRAVITY OPERATED ROOF VENTILATOR

GEV Gravity Operated Roof Ventilators exhaust stale or contaminated air through the pressure difference between the outside and inside air. An efficient throat and hood design allows for a high volume of fresh air intake while minimizing the induced pressure drop.

FEATURES & BENEFITS

- 1:1 ratio of hood opening to throat area
- Standard square throats
- For rectangular throats - consult factory
- Durable aluminum or galvanized construction
- 0.050" aluminum hood with 0.080" aluminum base
- Resists harshest of weather conditions
- Miter-cut & continuously welded curb cap corners
- Hood with snap-back seams, spot-weld secured
- Bird screen of 1/2" x 1/2" galvanized wire mesh
- Maximum 1200 FPM air velocity
- Throat lengths range from 12" to 120"



ACCESSORIES/OPTIONS

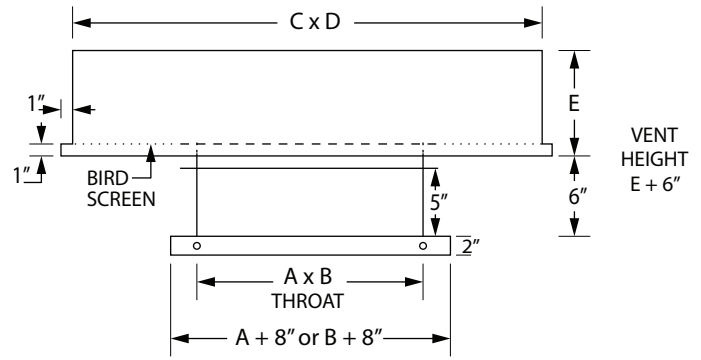
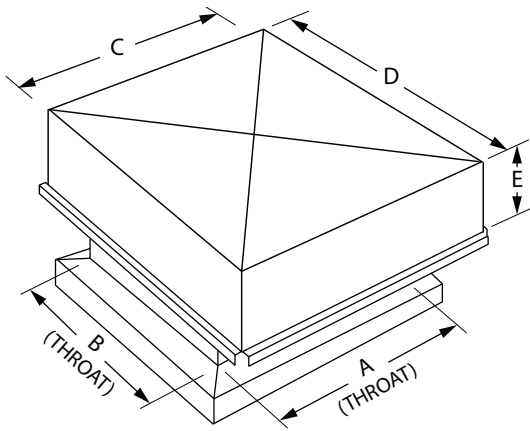
- 1" or 2" fiberglass insulation on hood
- Matching roof curbs & dampers
- Anti-condensate coating
- Lifting lugs
- 1" or 2" aluminum mesh filters
- 20 GA galvanized steel (48" max)
- Air-dried enamel paint

PERFORMANCE (CFM @ 0.25 IN. WG)

		A (THROAT LENGTH)																
		12	14	16	18	20	22	24	28	30	36	40	42	48	54	60	66	72
B (THROAT WIDTH)	12	1,490																
	14	1,726	2,055															
	16	1,971	2,350	2,680														
	18	2,221	2,640	3,000	3,450													
	20	2,368	2,765	3,286	3,779	4,030												
	22	2,650	3,100	3,613	4,149	4,430	4,970											
	24	2,800	3,187	3,730	4,287	4,869	5,236	5,491										
	28	3,270	3,736	4,360	4,900	5,672	5,990	6,403	7,777									
	30	3,500	4,080	4,670	5,250	5,950	6,420	6,864	8,170	8,706								
	36	3,970	4,640	5,300	5,844	6,620	7,290	7,796	9,270	10,145	12,427							
	40	4,370	5,195	5,940	6,550	7,280	7,845	8,730	10,400	10,920	13,370							
	42	4,580	5,350	6,236	6,880	7,640	8,400	9,170	10,700	11,460	14,034	15,595	16,050					
48	5,348	6,236	7,134	7,860	8,910	9,423	10,480	12,230	12,846	16,044	17,470	18,340	20,553					
54	5,741	6,839	7,500	8,614	9,563	10,110	11,250	13,120	13,787	16,880	18,750	19,690	22,500	25,310				
60	6,255	7,298	8,000	9,000	10,000	11,000	12,000	13,728	15,000	18,000	20,000	21,433	24,000	27,000	29,417			
66	6,704	7,830	8,413	9,463	10,941	11,800	12,870	14,719	16,090	19,698	21,450	22,520	25,740	28,960	32,170	35,400		
72	7,165	8,359	9,178	10,326	11,941	12,870	14,040	16,718	17,209	21,494	23,400	24,570	28,080	30,977	34,418	38,610	44,120	
80	7,685	8,971	9,810	11,081	12,809	13,810	15,381	17,580	18,464	22,600	25,110	26,370	30,130	33,242	37,670	40,625	46,132	
84	8,315	9,487	10,410	11,483	13,010	14,605	15,610	18,985	19,510	23,410	25,515	27,883	31,220	35,120	39,020	42,930	46,830	
96	9,210	10,745	11,520	12,471	14,400	15,840	17,636	20,576	22,045	25,417	28,800	30,864	34,560	38,880	43,200	47,520	50,833	
108	9,946	11,604	12,473	14,310	16,577	18,235	19,473	22,719	24,342	29,210	32,456	33,390	38,947	42,830	46,774	52,470	57,240	
120	10,947	12,772	14,000	15,444	18,655	20,070	21,894	25,543	27,368	32,150	36,490	36,750	42,866	47,250	51,480	58,941	63,000	

Use the equation below to find the pressure drop at other airflows.
Eg. A gravity ventilator with a 12"x12" throat, exhausting 1000 cfm:

$$P_2 = P_1 \left(\frac{\text{cfm}_2}{\text{cfm}_1} \right)^2 \quad P_2 = 0.25 \left(\frac{1000}{1490} \right)^2 \quad P_2 = 0.11" \text{wg}$$



DIMENSIONS IN INCHES*

A (THROAT LENGTH)	B (THROAT WIDTH)																			C	D	E				
	12	14	16	18	20	22	24	28	30	36	40	42	48	54	60	66	72	80	84				96	108	120	
12	18	18	18	19	19	19	20	20	20	21	21	22	21	22	22	22	22	22	22	22	22	22	22	C	D	E
	7	7	7	7	7	7	7	7	7	7	7	7	7	7	7	7	7	7	7	7	7	7	7	C	D	E
14	20	20	22	22	22	22	22	23	23	23	24	24	24	24	24	24	24	25	25	26	26	26	26	C	D	E
	7	7	7	7	7	7	7	7	7	7	7	7	7	7	7	7	7	7	7	7	7	7	7	C	D	E
16	23	24	24	24	24	25	26	26	26	26	26	27	27	27	27	28	28	28	28	28	28	29	29	C	D	E
	7	7	7	7	7	7	7	7	7	7	7	7	7	7	7	7	7	7	7	7	7	7	7	C	D	E
18	26	27	27	27	28	28	28	29	29	29	30	30	30	30	31	31	31	31	31	32	32	32	33	C	D	E
	8	8	8	8	8	8	8	8	8	8	8	8	8	8	8	8	8	8	8	8	8	8	8	C	D	E
20	29	29	30	31	31	31	31	32	32	33	33	33	33	33	34	34	34	35	35	35	35	36	C	D	E	
	9	9	9	9	9	9	9	9	9	9	9	9	9	9	9	9	9	9	9	9	9	9	9	C	D	E
22	32	32	33	33	34	34	34	34	36	35	36	37	37	37	37	38	38	38	38	38	39	39	39	C	D	E
	9	9	9	9	9	9	9	9	9	9	9	9	9	9	9	9	9	9	9	9	9	9	9	C	D	E
24	34	35	36	37	38	38	38	39	39	40	40	40	40	40	40	40	40	41	41	41	42	42	42	C	D	E
	11	11	11	11	11	11	11	11	11	11	11	11	11	11	11	11	11	11	11	11	11	11	11	C	D	E
28	40	41	41	43	43	43	43	45	44	45	45	46	47	48	48	49	49	50	50	51	51	52	52	C	D	E
	13	13	13	13	13	13	13	13	13	13	13	13	13	13	13	13	13	13	13	13	13	13	13	C	D	E
30	43	44	45	45	46	47	48	48	48	49	49	50	50	51	51	52	52	53	53	54	54	55	55	C	D	E
	13	13	13	13	13	13	13	13	13	13	13	13	13	13	13	13	13	13	13	13	13	13	13	C	D	E
36	52	53	53	54	55	56	56	57	58	58	59	60	61	62	63	64	64	65	65	66	66	67	68	C	D	E
	15	15	15	15	15	15	15	15	15	15	15	15	15	15	15	15	15	15	15	15	15	15	15	C	D	E
40	57	59	59	60	61	62	63	64	64	65	65	66	66	67	68	68	69	69	70	70	71	71	72	C	D	E
	15	15	15	15	15	15	15	15	15	15	15	15	15	15	15	15	15	15	15	15	15	15	15	C	D	E
42	59	61	62	64	65	65	66	66	67	68	68	69	69	70	70	71	71	72	72	73	73	74	74	C	D	E
	15	15	15	15	15	15	15	15	15	15	15	15	15	15	15	15	15	15	15	15	15	15	15	C	D	E
48	68	70	71	72	73	74	75	75	76	76	77	77	78	78	79	79	80	80	81	81	82	82	83	C	D	E
	17	17	17	17	17	17	17	17	17	17	17	17	17	17	17	17	17	17	17	17	17	17	17	C	D	E
54	77	79	79	80	81	82	83	83	84	84	85	85	86	86	87	87	88	88	89	89	90	90	91	C	D	E
	19	19	19	19	19	19	19	19	19	19	19	19	19	19	19	19	19	19	19	19	19	19	19	C	D	E
60	86	87	88	89	90	91	93	94	94	95	95	96	96	97	97	98	98	99	99	100	100	101	101	C	D	E
	21	21	21	21	21	21	21	21	21	21	21	21	21	21	21	21	21	21	21	21	21	21	21	C	D	E
66	94	94	94	97	97	97	97	98	98	99	99	100	100	101	101	102	102	103	103	104	104	105	105	C	D	E
	21	21	21	21	21	21	21	21	21	21	21	21	21	21	21	21	21	21	21	21	21	21	21	C	D	E
72	96	96	96	96	96	96	96	96	96	96	96	96	96	96	96	96	96	96	96	96	96	96	96	C	D	E
	21	21	21	21	21	21	21	21	21	21	21	21	21	21	21	21	21	21	21	21	21	21	21	C	D	E

*DO NOT USE FOR CONSTRUCTION

CONSULT FACTORY FOR CERTIFIED PRINTS

