



CFM[™]
CONTINENTAL FAN

better AIRFLOW by DESIGN[™]

OEM Solutions & Custom Fans



CABINET COOLING FANS

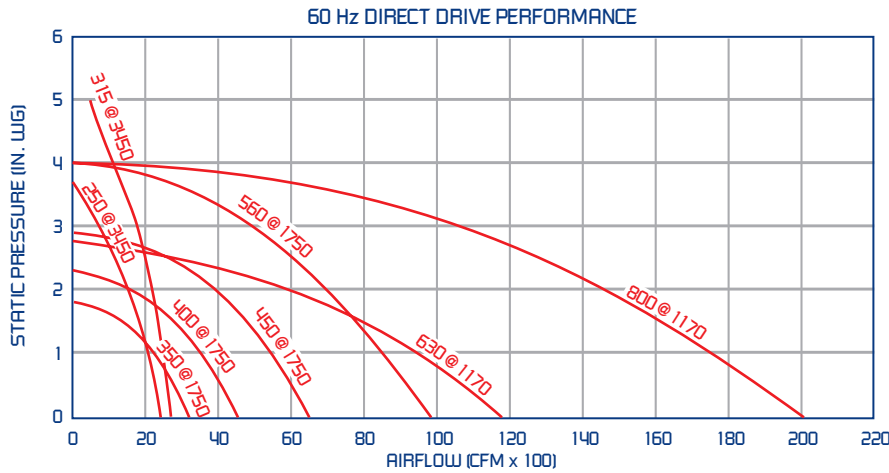
MNC MIXED FLOW COOLING FANS

FEATURES & BENEFITS

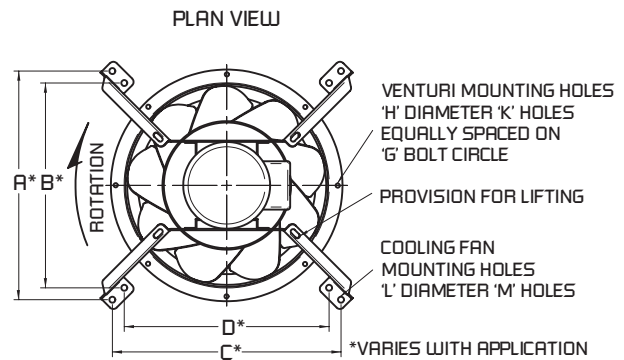
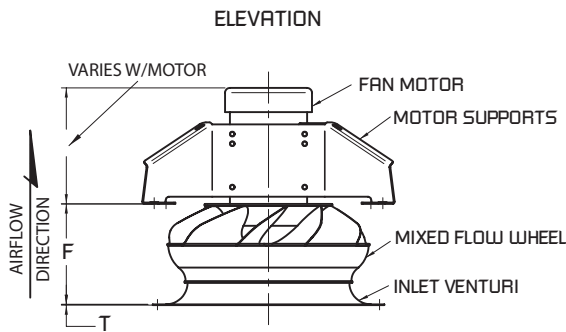
- High capacity 'MF' mixed flow impellers
- Exceptionally quiet, rapid heat dissipation
- Multiple blade settings available
- Custom mounting arrangements available
- Standard NEMA motors
- Nine sizes available; capacities to 20,000 cfm

APPLICATIONS

- Clean room modules
- Heat exchangers
- Computer rooms
- Air filtration
- Dust collection
- Fume hoods
- Electronic cabinet cooling
- Refrigeration equipment
- Work stations



MOTOR CHART			
MODEL	RPM	HP	FRAME
MNC250	3450	1	L56
MNC315	3450	2	145T
MNC350	1750	1	143T
MNC400	1750	1.5	145T
MNC450	1750	2	145T
MNC560	1750	5	184T
MNC630	1170	5	215T
MNC800	1170	10	256T



MODEL	DIMENSIONS IN INCHES*										
	A	B	C	D	F	G	H	K	L	M	T
MNC250	11.6	-	11.6	-	6.0	11.6	0.38	4	0.38	4	0.06
MNC315	13.0	-	13.0	-	7.4	14.2	0.31	4	0.38	4	0.06
MNC350	15.0	-	15.0	-	7.5	16.3	0.44	8	0.63	4	0.06
MNC400	17.0	-	17.0	-	8.0	18.3	0.44	8	0.56	4	0.08
MNC450	19.0	-	19.0	-	9.0	20.0	0.30	6	0.56	4	0.08
MNC560	23.7	21.2	23.7	21.2	11.5	25.6	0.50	8	0.63	8	0.08
MNC630	23.7	21.2	31.6	29.1	13.5	28.7	0.50	8	0.63	8	0.08
MNC800	32.5	30.1	32.5	30.1	16.8	36.6	0.63	8	0.63	8	0.08

*DO NOT USE FOR CONSTRUCTION

CONSULT FACTORY FOR CERTIFIED PRINTS

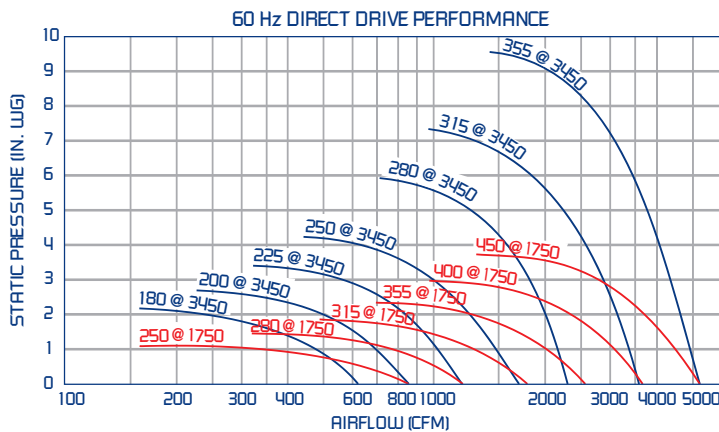
TNC CENTRIFUGAL COOLING FANS

FEATURES & BENEFITS

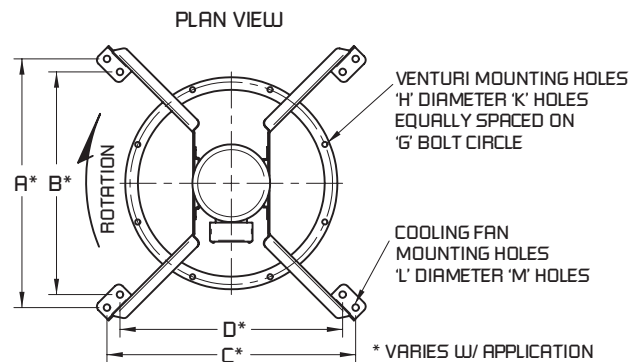
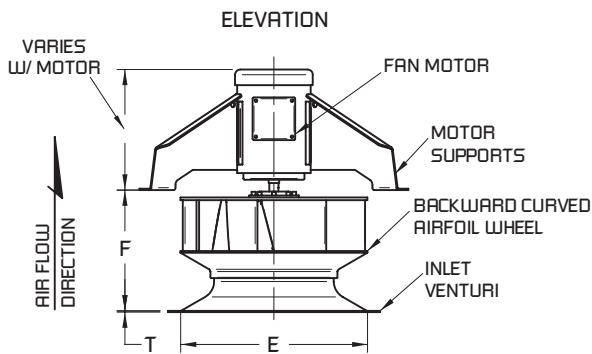
- Highly efficient airfoil 'TEK' impellers
- Exceptionally quiet, rapid heat dissipation
- High pressure capability
- Custom mounting arrangements available
- Standard NEMA motors
- Nine sizes available; capacities to 5,000 cfm

APPLICATIONS

- Clean room modules
- Heat exchangers
- Computer rooms
- Air filtration
- Dust collection
- Fume hoods
- Electronic cabinet cooling
- Refrigeration equipment
- Motor control cabinets



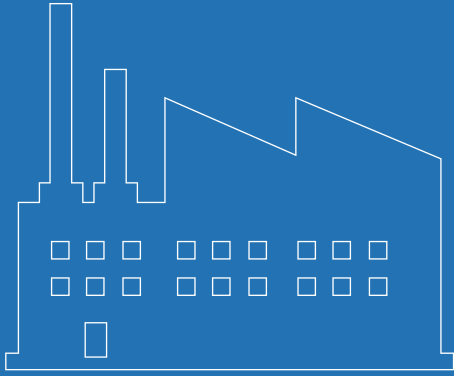
MOTOR CHART			
MODEL	RPM	HP	FRAME
TNC180-2	3500	1/4	56L
TNC200-2	3500	1/4	56L
TNC225-2	3500	1/2	56L
TNC250-4	1750	1/4	56L
TNC250-2	3500	3/4	56L
TNC280-4	1750	1/4	56L
TNC280-2	3500	1-1/2	143T
TNC315-4	1750	1/2	56L
TNC315-2	3500	3	182T
TNC355-4	1750	3/4	56L
TNC355-2	3500	5	184T
TNC400-4	1750	1-1/2	145T
TNC450-4	1750	2	145T



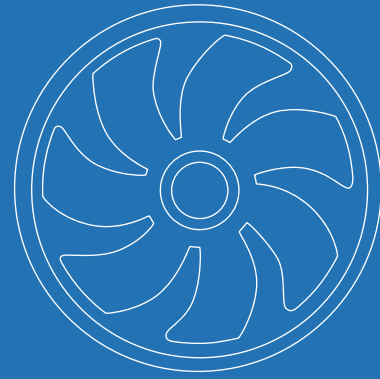
MODEL	DIMENSIONS IN INCHES*											
	A	B	C	D	E	F	G	H	K	L	M	T
TNC180-2	14.8	-	15.5	-	7.2	6.5	8.0	0.4	6	0.4	4	0.09
TNC200-2	14.8	-	15.5	-	8.0	7.0	9.1	0.4	6	0.4	4	0.09
TNC225-2	14.8	-	15.5	-	8.9	7.8	10.1	0.4	6	0.4	4	0.09
TNC250-4	14.8	-	15.5	-	10.0	8.5	11.1	0.4	6	0.4	4	0.12
TNC250-2	14.8	-	15.5	-	10.0	8.5	11.1	0.4	6	0.4	4	0.12
TNC280-4	14.8	-	15.5	-	11.2	9.0	12.6	0.4	6	0.4	4	0.12
TNC280-2	14.8	-	15.5	-	11.2	9.0	12.6	0.4	6	0.4	4	0.12
TNC315-4	14.8	-	15.5	-	12.6	9.8	14.0	0.4	6	0.4	4	0.12
TNC315-2	23.7	21.2	23.7	21.2	12.6	10.5	14.0	0.5	6	0.6	8	0.12
TNC355-4	14.8	-	15.5	-	14.2	11.0	15.6	0.5	8	0.4	4	0.12
TNC355-2	23.7	21.2	23.7	21.2	14.2	11.5	15.6	0.5	8	0.6	8	0.12
TNC400-4	23.7	21.2	23.7	21.2	16.0	10.6	17.3	0.5	8	0.6	8	0.17
TNC450-4	23.7	21.2	23.7	21.2	17.3	11.5	19.3	0.5	8	0.6	8	0.17

*DO NOT USE FOR CONSTRUCTION

CONSULT FACTORY FOR CERTIFIED PRINTS



***Industrial Fans
& Blowers***



***OEM Solutions
& Custom Fans***



***Commercial Fans
& Dampers***



***Residential Fans &
Air Purifiers***



OEM Solutions & Custom Fans

Continental Fan Manufacturing Inc.
Buffalo, New York

Continental Fan Canada Inc.
Mississauga, Ontario

Continental Fan Manufacturing Inc.
Dayton, Ohio

1-800-779-4021 • www.continentalfan.com

Distributed by:



OEM-CAT-2003