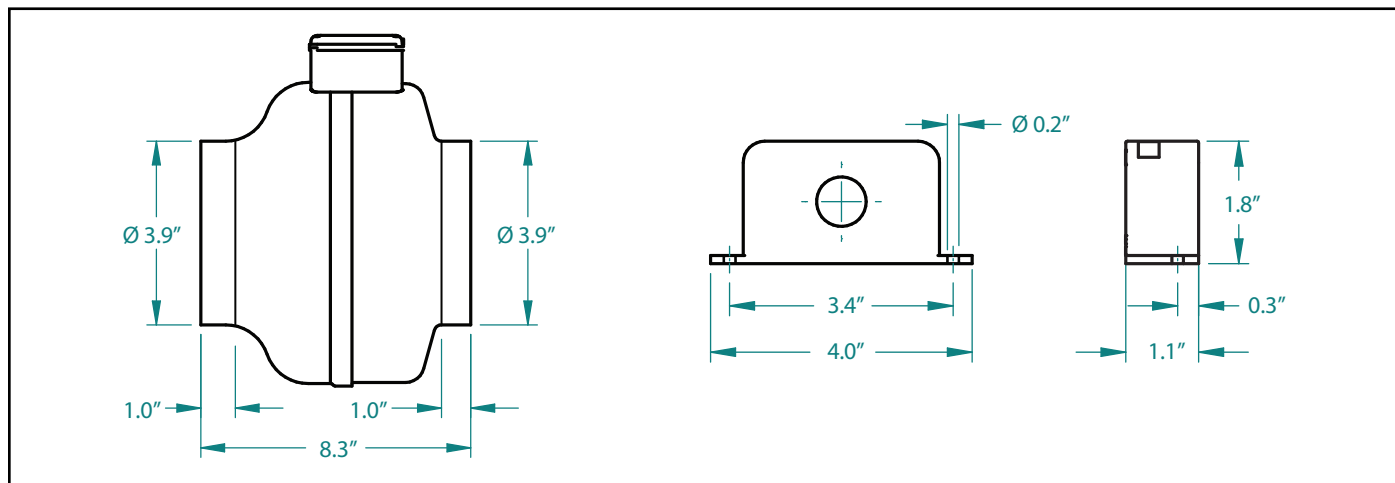


MODEL: DVK100B-C KIT W/CURRENT SENSOR

The current sensor automatically activates the dryer booster fan when the clothes dryer is operating and drawing at least 1 amp of current.



AXC100B FAN CONSTRUCTION

- Heavy gauge, drawn steel housing
- Large mounting collars for duct connections
- Pre-wired capacitor
- Backward-curved impeller

- Baked epoxy finish inside and out
- External junction box
- Mounting brackets
- Precision balanced assembly

FAN MOTOR

- Durable “external rotor” design
- Dust and moisture resistant
- 120VAC, single phase
- Infinitely variable fan speed capability

- Enclosed motor housing
- Ball bearings, permanently lubricated
- Automatic reset thermal overload protection

CS120AF CURRENT SENSOR

- Made from self-extinguishing ABS (Cyclac 94V-0)
- 2 x 0.19” mounting holes, 3” apart
- Trip set point, factory set at 1.25 Amp
- cCSAus

- Size: 1-7/8” x 3-7/8” x 1-1/8”
- Operating temp 32 - 104 F (0 - 40 C)
- Switch rating 120V @ 2.5 Amp Max

PROJECT		ARCHITECT	
DATE		ENGINEER	
SUBMITTED BY		CONTRACTOR	
SPECIFICATION			
FAN NO.	MODEL NO.	QTY	OPTIONAL EQUIPMENT