

# EC HIGH EFFICIENCY MOTORIZED IMPELLERS

## TME CENTRIFUGAL IMPELLERS (EC) - 1 PHASE

### FEATURES & BENEFITS

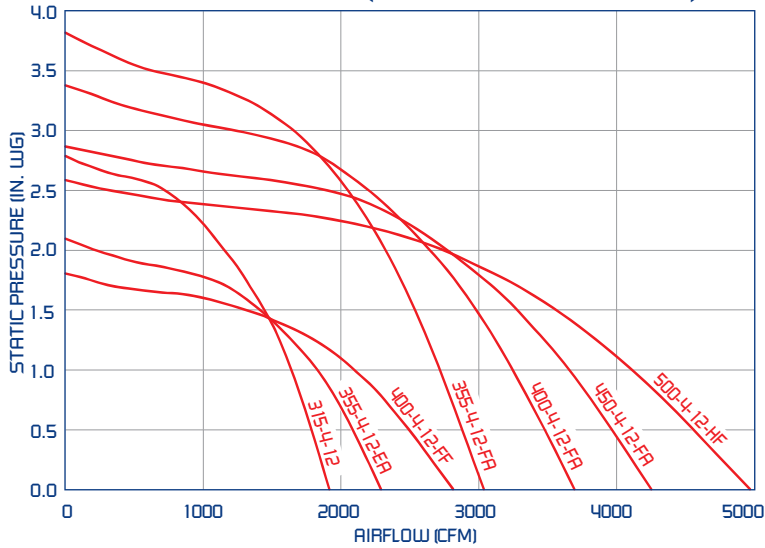
- High efficiency: ErP qualified at 50 Hz
- EC external rotor motor
- Dual frequency motor (50 Hz & 60 Hz)
- Permissible ambient temperature range: -4 F to 104 F
- 1-10 VDC or PWM motor control
- Capacities to 5,000 cfm
- UL & CE approved



### APPLICATIONS

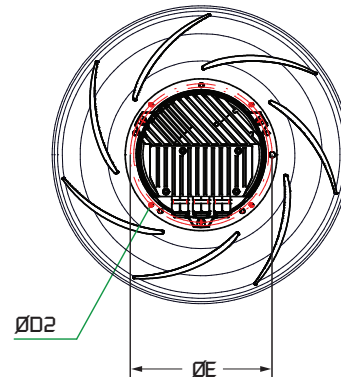
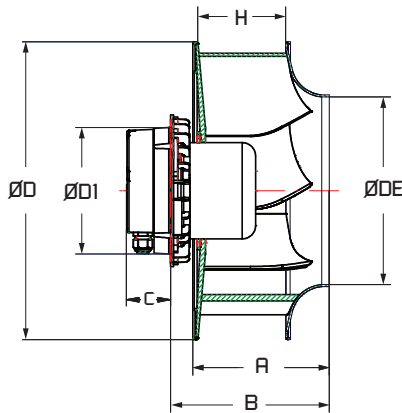
- Electronic cabinet cooling
- Clean room modules
- Heat exchangers

TYPICAL PERFORMANCE (VARIES BY MODEL AND VOLTAGE)



200-277V - 1 PHASE			50/60 Hz PERFORMANCE		
PART NUMBER	CFM	RPM	WATTS	CFM / W	AMPS @ 230VAC
TME315-4-12	1914	2200	500	6.2	2.8
TME355-4-12EA	2289	1650	500	8.2	2.7
TME355-4-12FA	3035	2250	1120	4.0	5.0
TME400-4-12FF	2812	1380	500	9.4	2.8
TME400-4-12FA	3692	1875	1150	4.9	5.1
TME450-4-12FA	4250	1550	1150	6.0	5.1
TME500-4-12HF	4966	1300	1150	7.1	5.1

ACTUAL PERFORMANCE MAY VARY BY APPLICATION.  
FOR OTHER VOLTAGES, CONSULT FACTORY.



DIMENSIONS IN INCHES\*

MODEL	A	B	C	D	D1	D2	DE	E	H
TME315-4-12	5.6	6.6	1.5	13.3	5.9	M6/4 X 90	8.3	6.5	3.5
TME355-4-12EA	6.8	7.9	1.5	14.8	5.9	M6/4 X 90	9.3	6.5	4.4
TME355-4-12FA	8.1	8.1	2.3	14.8	7.1	M6/4 X 90	9.3	8.0	4.4
TME400-4-12FF	7.6	8.6	1.5	16.7	5.9	M6/4 X 90	10.5	6.5	4.9
TME400-4-12FA	7.6	8.9	2.3	16.7	7.1	M6/4 X 90	10.5	8.0	4.9
TME450-4-12FA	8.4	9.5	2.3	18.8	7.1	M6/4 X 90	11.7	8.0	5.4
TME500-4-12HF	9.4	10.4	2.3	21.0	7.1	M6/4 X 90	13.2	8.0	6.1

\*DO NOT USE FOR CONSTRUCTION

CONSULT FACTORY FOR CERTIFIED PRINTS

# EC HIGH EFFICIENCY MOTORIZED IMPELLERS

## TME CENTRIFUGAL IMPELLERS (EC) - 3 PHASE

### FEATURES & BENEFITS

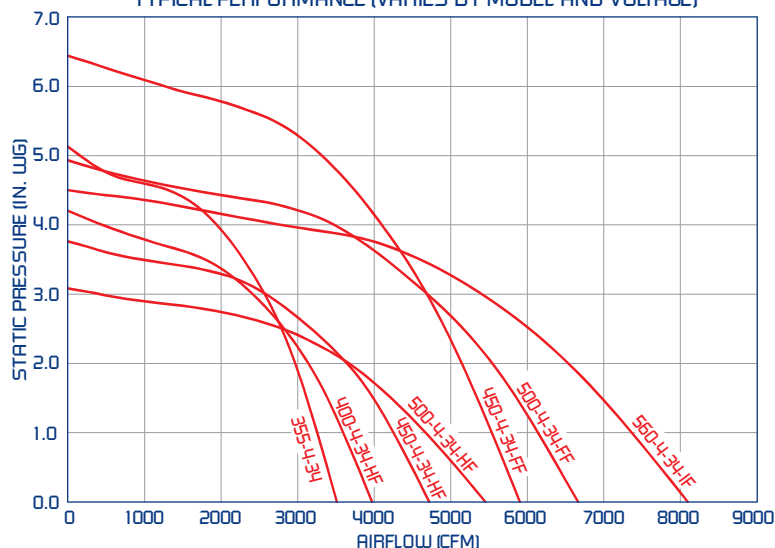
- High efficiency: ErP qualified at 50 Hz
- EC external rotor motor
- 200-240V, three phase available
- Dual frequency motor (50 Hz & 60 Hz)
- Permissible ambient temperature range: -4 F to 104 F
- 1-10 VDC or PWM motor control
- Capacities to 8,095 cfm
- UL & CE approved



### APPLICATIONS

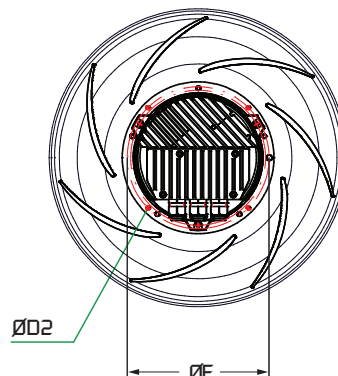
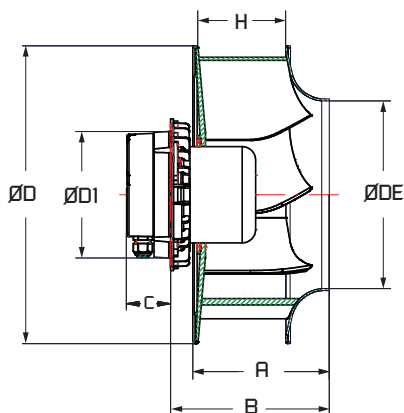
- Electronic cabinet cooling
- Clean room modules
- Heat exchangers

TYPICAL PERFORMANCE (VARIES BY MODEL AND VOLTAGE)



380-480V - 3 PHASE			50/60 Hz PERFORMANCE		
PART NUMBER	CFM	RPM	WATTS	CFM / W	AMPS @ 400VAC
TME355-4-34	3512	2600	1700	3.1	2.8
TME400-4-34HF	3971	2100	1600	3.6	2.5
TME450-4-34HF	4717	1775	1650	4.4	2.7
TME450-4-34FF	5902	2300	3500	2.4	5.1
TME500-4-34HF	5452	1425	1500	5.8	2.4
TME500-4-34FF	6662	1800	2900	3.4	4.4
TME560-4-34IF	8095	1550	3260	3.7	5.0

ACTUAL PERFORMANCE MAY VARY BY APPLICATION. FOR OTHER VOLTAGES, CONSULT FACTORY.



DIMENSIONS IN INCHES\*

MODEL	A	B	C	D	D1	D2	DE	E	H
TME355-4-34	6.8	8.1	2.5	14.8	7.1	M6/4 X 90	9.3	8.0	4.4
TME400-4-34HF	7.6	8.9	2.5	16.7	7.1	M6/4 X 90	10.5	8.0	4.9
TME450-4-34HF	8.4	9.5	2.5	18.8	7.1	M6/4 X 90	11.7	8.0	5.4
TME450-4-34FF	8.4	10.0	2.8	18.8	9.3	M10/8 X 45	11.7	9.9	5.4
TME500-4-34HF	9.4	10.4	2.5	21.0	7.1	M6/4 X 90	13.2	8.0	6.1
TME500-4-34FF	9.4	10.9	2.8	21.0	9.3	M10/8 X 45	13.2	9.9	6.1
TME560-4-34IF	10.6	12.2	2.8	23.4	9.3	M10/8 X 45	14.8	9.9	6.9

\*DO NOT USE FOR CONSTRUCTION

# EC HIGH EFFICIENCY MOTORIZED IMPELLERS

## CEC CENTRIFUGAL IMPELLERS (EC)

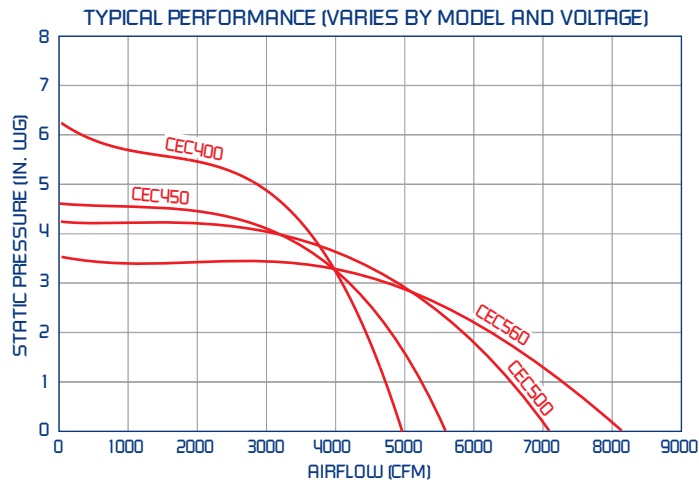
### FEATURES & BENEFITS

- EC (Electronically Commutated) external rotor motor
- 1-10VDC or PWM motor control
- Dual frequency motor (50 Hz & 60 Hz)
- Maximum speed available across entire voltage range in either 50 Hz or 60 Hz
- Integral EC electronics
- Permissible ambient temperature range: -4 F to 104 F
- Available housed or non-housed
- Capacities to 8050 cfm
- UL & CE approved



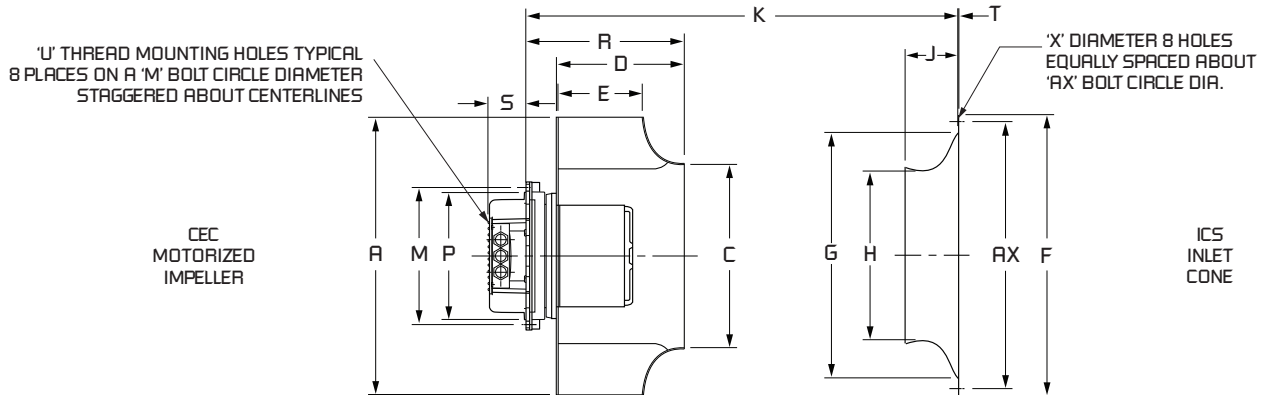
### APPLICATIONS

- Electronic cabinet cooling
- Clean room modules
- Heat exchangers
- Air filtration
- Military HRAC
- Pharmaceutical equipment



380V-480V - 3 PHASE		50/60 Hz PERFORMANCE		
PART NUMBER	CFM	RPM	WATTS	AMPS
CEC400-4-34	4975	2690	3580	5.6
CEC450-4-34	5550	2050	3100	4.9
CEC500-4-34	7020	1750	3500	5.4
CEC560-4-34	8050	1400	3100	4.8

FOR OTHER VOLTAGES, CONSULT FACTORY.  
ACTUAL PERFORMANCE MAY VARY BY APPLICATION.



DIMENSIONS SHOWN ARE FOR NON-HOUSED UNITS. CONSULT FACTORY FOR DIMENSIONS ON HOUSED UNITS.

MODEL	DIMENSIONS IN INCHES*																WT (LBS)	
	A	C	D	E	F	G	H	J	K	M	P	R	S	T	U	X		AX
CEC400	15.9	10.5	7.2	4.8	16.6	14.0	9.8	3.0	12.2	9.9	9.3	9.5	2.8	0.1	M10	0.4	15.6	39.6
CEC450	17.9	11.8	8.2	5.4	18.3	15.8	10.9	3.2	13.4	9.9	9.3	10.4	2.8	0.1	M10	0.4	17.2	42.9
CEC500	20.1	13.3	9.2	6.1	20.3	17.7	12.2	3.8	14.9	9.9	9.3	11.4	2.8	0.1	M10	0.5	19.3	55.0
CEC560	22.4	14.8	10.3	6.9	22.2	19.7	13.7	4.2	16.2	9.9	9.3	12.5	2.8	0.1	M10	0.5	21.3	58.3

\*DO NOT USE FOR CONSTRUCTION

CONSULT FACTORY FOR CERTIFIED PRINTS

# EC HIGH EFFICIENCY MOTORIZED IMPELLERS

## EC CENTRIFUGAL IMPELLERS (EC)

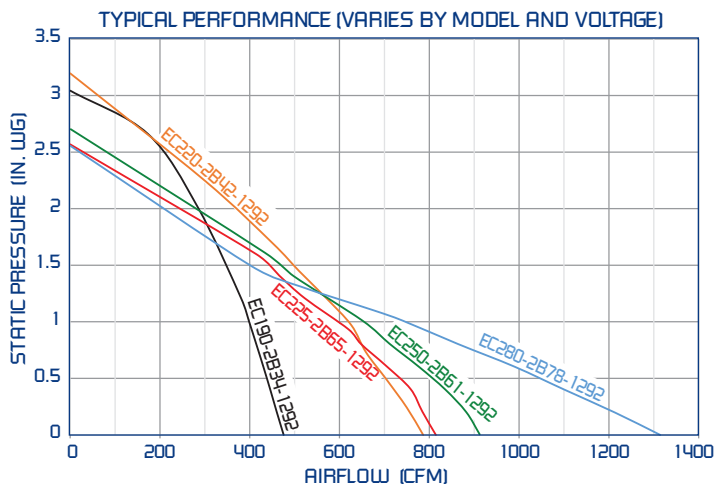
### FEATURES & BENEFITS

- EC (Electronically Commutated) external rotor motor
- 1-10 VDC or PWM motor control
- High efficiency backward curved impeller
- Compact design, superior performance
- Matching inlet cones included
- Input voltage: 208 - 277V 50/60 Hz single phase
- Permissible ambient temperature range: -4 F to 140 F
- Capacities to 1139 cfm
- ErP and RoHs compliant
- UL approved (all models except EC280-2B78-1292)



### APPLICATIONS

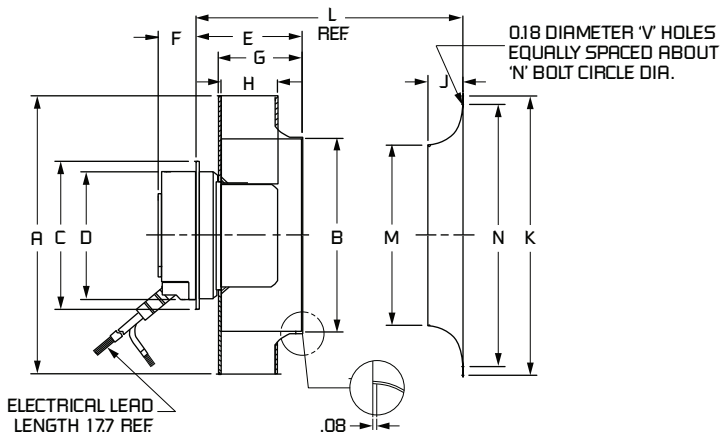
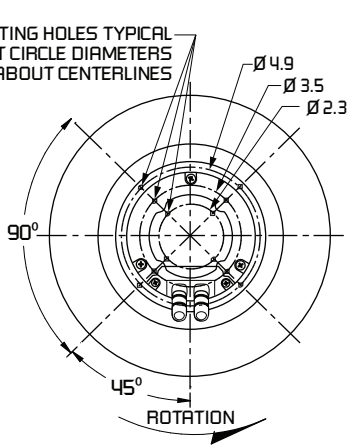
- Electronic cabinet cooling
- Clean room modules
- Heat exchangers



208-277V - 1 PHASE		50/60 Hz PERFORMANCE			
PART NUMBER	CFM	RPM	WATTS	AMPS	dBA
EC190-2B34-1292	476	3980	134	1.1	82
EC220-2B42-1292	786	3600	166	1.3	83
EC225-2B65-1292	815	3000	135	1.1	79
EC250-2B61-1292	913	2800	150	1.2	82
EC280-2B78-1292	1314	2300	175	1.3	72

FOR OTHER VOLTAGES, CONSULT FACTORY.  
ACTUAL PERFORMANCE MAY VARY BY APPLICATION.

M4 THREADED MOUNTING HOLES TYPICAL  
4 PLACES BOLT CIRCLE DIAMETERS  
STAGGERED ABOUT CENTERLINES



DIMENSIONS IN INCHES\*

MODEL	A	B	C	D	E	F	G	H	J	K	L	M	N	V
EC190-2B34-1292	7.5	5.2	5.2	4.5	3.5	1.3	2.5	1.3	0.6	6.7	4.0	4.9	6.2	4
EC220-2B42-1292	8.7	6.3	5.2	4.5	3.1	1.3	2.5	1.7	0.8	10.0	3.8	6.0	9.6	4
EC225-2B65-1292	8.9	6.0	5.2	4.5	4.2	1.3	3.6	2.5	1.1	8.8	5.2	5.7	8.3	4
EC250-2B61-1292	9.8	6.8	5.2	4.5	4.2	1.3	3.6	2.4	1.2	10.0	5.3	6.5	9.4	4
EC280-2B78-1292	11.1	7.5	5.2	4.5	5.5	1.3	4.3	3.1	1.2	11.8	6.6	6.9	11.5	6

\*DO NOT USE FOR CONSTRUCTION

CONSULT FACTORY FOR CERTIFIED PRINTS

# EC HIGH EFFICIENCY MOTORIZED IMPELLERS

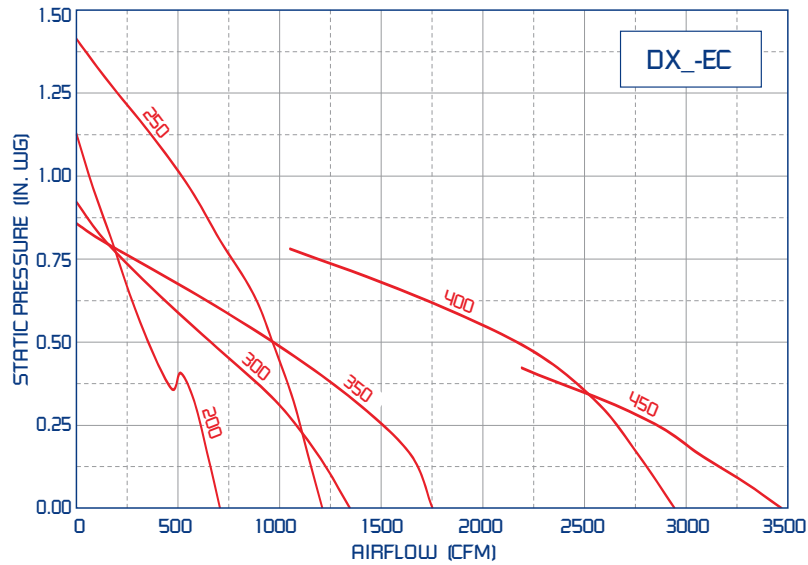
## DXG & DXP MOTORIZED AXIAL FANS (EC)

### FEATURES & BENEFITS

- EC (Electronically Commutated) external rotor motor
- 1-10 VDC or PWM motor control
- Excellent air and sound performance characteristics
- 100% speed controllable
- IP44 motor protection
- Input voltage: 208-277 V 50/60 Hz single phase
- Capacities to 3,469 cfm
- ErP and RoHS compliant



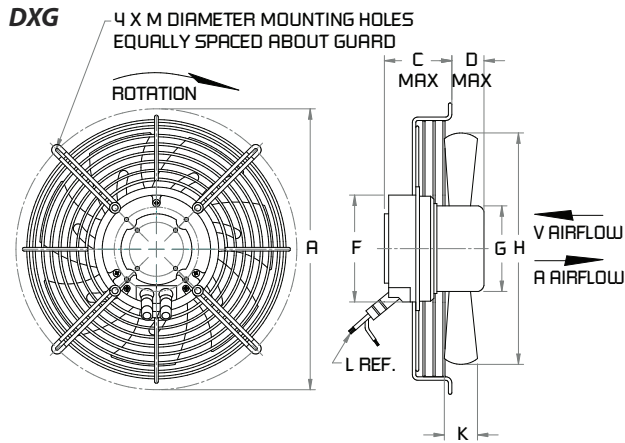
TYPICAL PERFORMANCE (VARIES BY MODEL AND VOLTAGE)



208-277V - 1 PHASE		50/60 Hz PERFORMANCE			
PART NUMBER	CFM	RPM	WATTS	AMPS	dBA
DXG200-2EC-12	709	2820	88	0.7	60
DXG250-2EC-12	1210	3050	175	1.3	69
DXG300-2EC-12	1346	1768	95	0.7	64
DXG350-2EC-12	1752	1732	162	1.2	65
DXG400-2EC-12	2943	1600	345	1.6	69
DXG450-2EC-12	3469	1310	355	1.6	69

208-277V - 1 PHASE		50/60 Hz PERFORMANCE			
PART NUMBER	CFM	RPM	WATTS	AMPS	dBA
DXP200-2EC-12	709	2820	88	0.7	64
DXP250-2EC-12	1210	3050	175	1.3	73
DXP300-2EC-12	1346	1768	95	0.7	69
DXP350-2EC-12	1752	1732	162	1.2	69
DXP400-2EC-12	2943	1600	345	1.6	74
DXP450-2EC-12	3469	1310	355	1.6	73

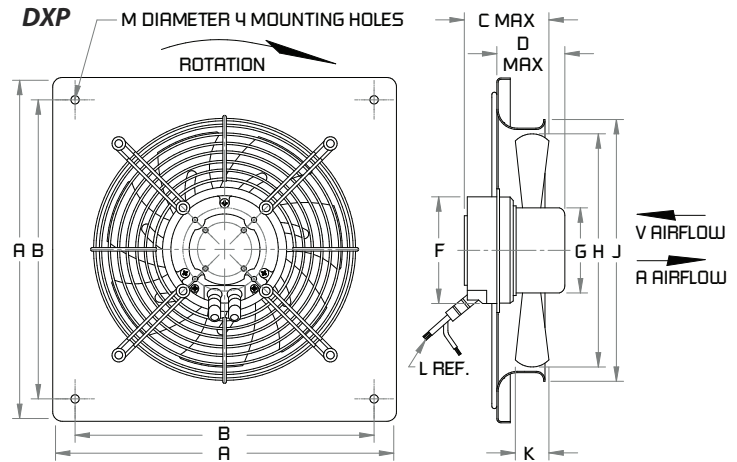
FOR OTHER VOLTAGES, CONSULT FACTORY.  
ACTUAL PERFORMANCE MAY VARY BY APPLICATION.



AIRFLOW DIRECTION TO BE INDICATED BY CUSTOMER.

MODEL	DIMENSIONS IN INCHES*								
	A	C	D	F	G	H	K	L	M
DXG200-2EC	10.2	2.9	1.3	4.5	3.6	7.9	1.4	17.7	0.3
DXG250-2EC	11.8	2.8	1.3	4.5	3.6	9.8	1.4	17.7	0.3
DXG300-2EC	14.2	3.3	1.5	4.5	3.6	11.8	2.6	17.7	0.2
DXG350-2EC	16.6	3.5	1.6	4.5	3.6	13.8	3.3	17.7	0.3
DXG400-2EC	18.5	3.8	1.9	5.9	4.0	15.7	2.8	39.4	0.4
DXG450-2EC	20.6	3.8	2.1	5.9	4.0	17.7	3.7	39.4	0.4

\*DO NOT USE FOR CONSTRUCTION



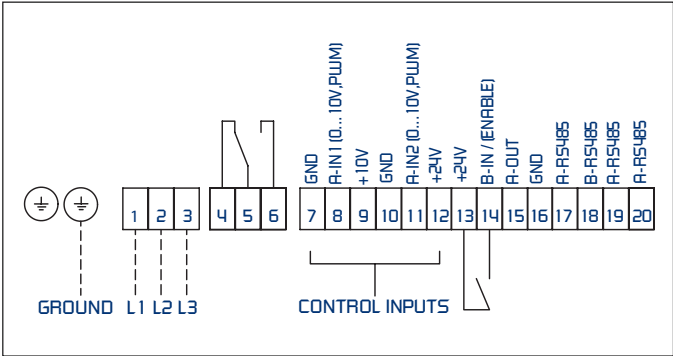
AIRFLOW DIRECTION TO BE INDICATED BY CUSTOMER.

MODEL	DIMENSIONS IN INCHES*										
	A	B	C	D	F	G	H	J	K	L	M
DXP200-2EC	12.2	10.2	4.1	2.0	4.5	3.6	7.9	9.1	1.4	17.7	0.3
DXP250-2EC	14.6	12.6	3.3	2.8	4.5	3.6	9.8	11.0	1.4	17.7	0.3
DXP300-2EC	16.9	15.0	3.8	3.4	4.5	3.6	11.8	13.2	2.6	17.7	0.4
DXP350-2EC	19.1	17.1	5.0	3.3	4.5	3.6	13.8	15.0	3.3	17.7	0.4
DXP400-2EC	21.3	19.3	6.0	3.8	5.9	4.0	15.7	16.9	2.8	39.4	0.4
DXP450-2EC	22.6	20.5	6.1	3.9	5.9	4.0	17.7	18.9	3.7	39.4	0.4

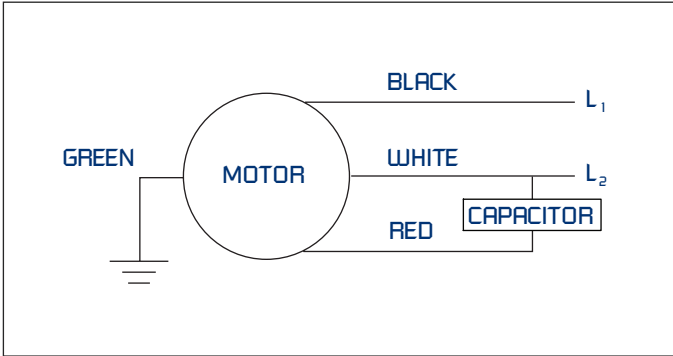
CONSULT FACTORY FOR CERTIFIED PRINTS

## WIRING DIAGRAMS

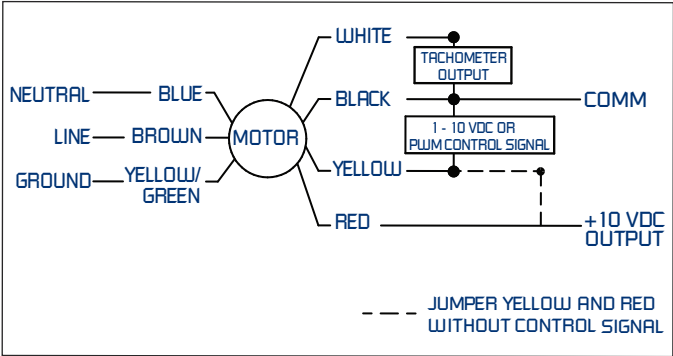
### TME, CEC (3 PHASE)



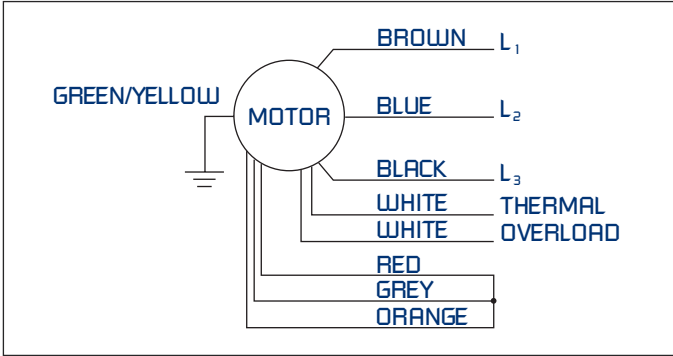
### XR



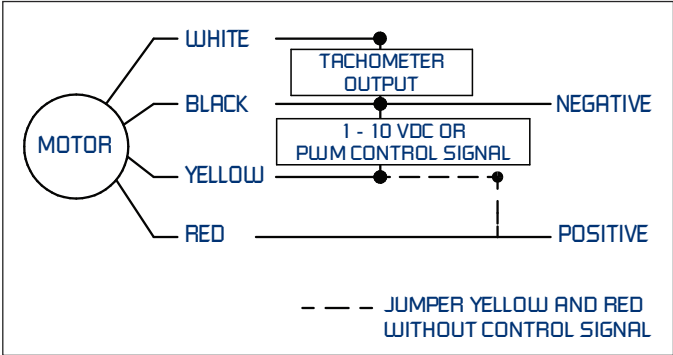
### EC, DXG-EC, DXP-EC



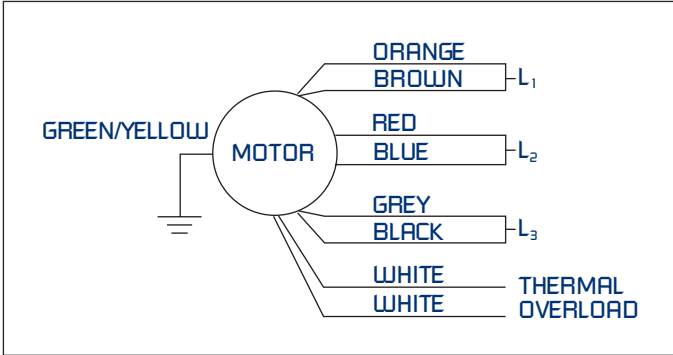
### TMA, TMK, RCM (460V, 3 PHASE)



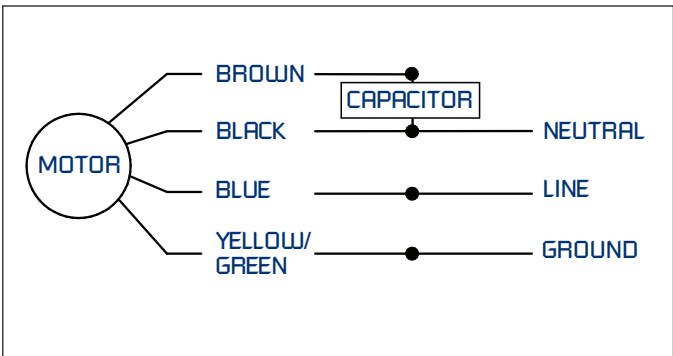
### DC, DXG-DC, DXP-DC



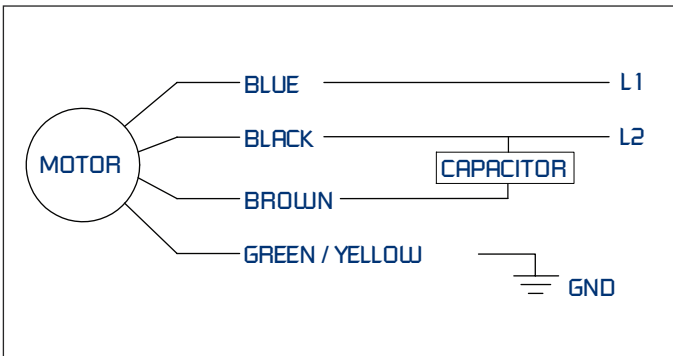
### TMA, TMK, RCM (230V, 3 PHASE)



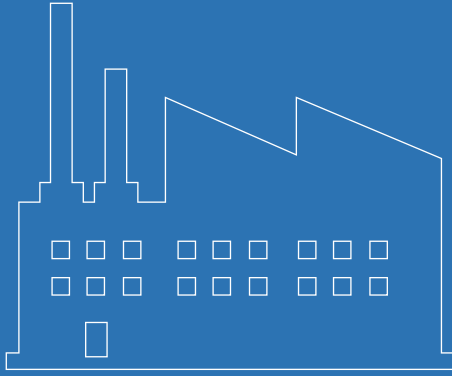
### CMI, DXG-AC, DXP-AC



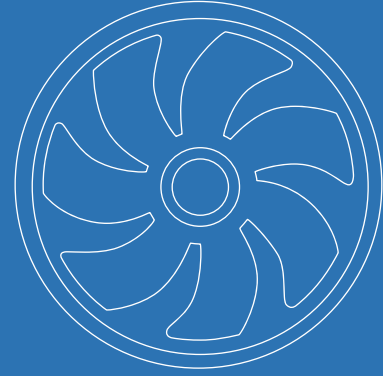
### AMP, AMR, AMI



WIRING DIAGRAMS ARE TYPICAL, CONSULT FACTORY FOR ACTUAL PRODUCT WIRING DIAGRAMS.



***Industrial Fans  
& Blowers***



***OEM Solutions  
& Custom Fans***



***Commercial Fans  
& Dampers***



***Residential Fans &  
Air Purifiers***



# OEM Solutions & Custom Fans

Continental Fan Manufacturing Inc.  
Buffalo, NY ~ Dayton, OH

Continental Fan Canada Inc.  
Mississauga, Ontario

continentalfan.com  
1-800-779-4021

Distributed by:



OEM-CAT-2109