

IN-LINE FANS

MID MIXED FLOW IN-LINE FANS

FEATURES & BENEFITS

- High capacity mixed flow impellers
- Standard NEMA motors
- Baked polyester powder coat finish
- Custom mounting arrangements available
- External junction box
- Diameters from 12" to 24"; capacities to 5,340 cfm



APPLICATIONS

- Process ventilation
- Cabinet cooling
- OEM applications

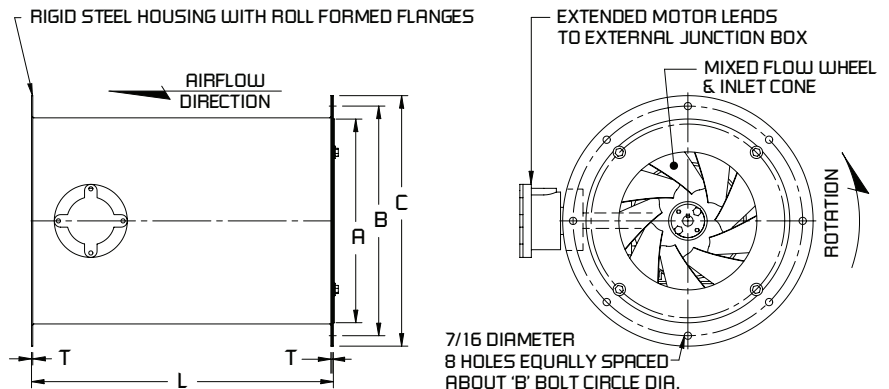
ACCESSORIES / OPTIONS

- Mounting feet
- Motor side guard
- Explosion proof motors
- Inspection door
- Impeller side guard
- Special duty motors

MODEL	PEAK HP	MTR HP	dBA @ 5'	AIRFLOW PERFORMANCE (CFM) AT 1740 RPM										
				0" SP	.25" SP	.5" SP	.75" SP	1" SP	1.25" SP	1.5" SP	1.75" SP	2" SP	2.25" SP	2.5" SP
MID315-1	0.20	1/4	61	1190	1050	890	650	360						
MID315-2	0.23	1/4	62	1390	1260	1080	840	540						
MID315-3	0.31	1/3	64	1630	1470	1300	1050	720						
MID315-4	0.39	1/2	65	1830	1680	1490	1250	870						
MID315-5	0.49	1/2	65	2020	1870	1680	1400	924						
MID350-1	0.34	1/2	61	1850	1720	1570	1390	1110	690					
MID350-2	0.43	1/2	62	2180	2050	1890	1690	1410	980					
MID350-3	0.53	1/2	65	2540	2390	2190	2010	1700	1290					
MID350-4	0.67	3/4	66	2930	2770	2580	2350	2050	1500					
MID350-5	0.86	1	66	3280	3110	2900	2620	2230						
MID400-1	0.64	3/4	68	2630	2480	2310	2140	1930	1640	1260	700			
MID400-2	0.82	1	69	3150	3010	2780	2560	2320	2040	1540	960			
MID400-3	1.02	1	70	3590	3410	3220	3020	2740	2440	1990	1170			
MID400-4	1.23	1-1/2	73	4030	3840	3620	3390	3140	2830	2280	1340			
MID400-5	1.45	1-1/2	73	4380	4200	4000	3780	3490	3140	2410				
MID450-1	0.97	1	70	3600	3460	3300	3110	2900	2670	2350	1950	1360	970	
MID450-2	1.27	1-1/2	72	4470	4280	4060	3870	3630	3360	3000	2590	1960	1320	
MID450-3	1.58	1-1/2	73	5340	5130	4900	4640	4360	4060	3650	3170	2440	1670	
MODEL	PEAK HP	MTR HP	dBA @ 5'	AIRFLOW PERFORMANCE (CFM) AT 3450 RPM										
				0" SP	.25" SP	.5" SP	.75" SP	1" SP	1.5" SP	2" SP	2.5" SP	3" SP	4" SP	5" SP
MID250-1	0.46	1/2	72	990	950	900	840	770	570	380	250	150		
MID250-2	0.49	1/2	71	1260	1220	1160	1090	1010	810	570	390	240		
MID250-3	0.52	3/4	71	1460	1410	1360	1300	1220	1000	730	500	300		
MID250-4	0.64	3/4	72	1640	1590	1530	1460	1360	1190	870	580	360		
MID250-5	0.79	1	72	1800	1750	1700	1630	1550	1300	930				
MID315-1	1.94	2	80	2470	2410	2340	2270	2200	2060	1860	1630	1330	790	410
MID315-2	2.21	2	81	2970	2900	2830	2750	2660	2490	2290	2080	1770	1090	570

MODEL	DIMENSIONS IN INCHES*					MAX MTR FRAME
	A	B	C	L	T	
MID250	12.2	13.8	15.0	18.0	0.075	143/5T
MID315	16.2	18.0	19.5	21.0	0.075	143/5T
MID350	18.2	20.8	22.0	24.0	0.105	143/5T
MID400	21.2	23.3	24.5	26.0	0.105	182/4T
MID450	24.2	26.3	27.5	29.0	0.105	182/4T

*DO NOT USE FOR CONSTRUCTION
CONSULT FACTORY FOR CERTIFIED PRINTS



TID CENTRIFUGAL IN-LINE FANS

FEATURES & BENEFITS

- Backward curved airfoil (BCA) impeller
- Non-overloading power characteristics
- Super quiet, highly efficient performance
- Rugged glass reinforced polyamide impeller
- Baked polyester powder coat finish
- Custom mounting arrangements available
- External junction box
- Standard NEMA motors
- Diameters from 12" to 24"; capacities to 4,258 cfm



APPLICATIONS

- Process ventilation
- Cabinet cooling
- General ventilation

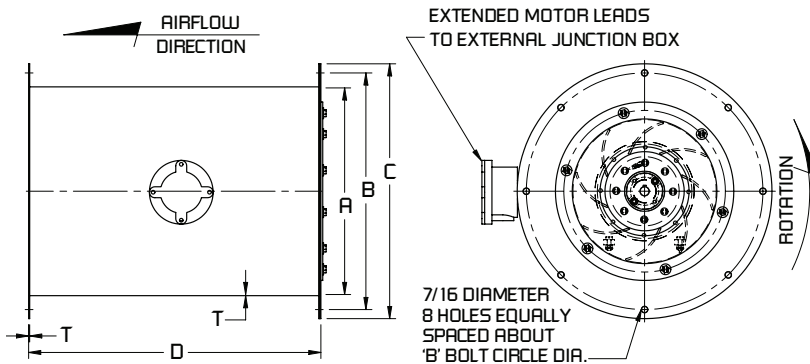
ACCESSORIES / OPTIONS

- Mounting feet
- Motor side guard
- Explosion proof motors
- Impeller side guard
- Inspection door
- Special duty motors

MODEL	PEAK HP	MTR HP	dBA @ 5'	AIRFLOW PERFORMANCE (CFM) AT 1740 RPM											
				0" SP	.25" SP	.50" SP	.75" SP	1" SP	1.25" SP	1.5" SP	1.75" SP	2" SP	2.5" SP	3" SP	
TID280	0.16	1/4	62	1080	990	880	700	450							
TID315	0.34	1/2	67	1570	1460	1350	1210	1020	790	490					
TID355	0.65	3/4	72	2160	2050	1940	1820	1670	1480	1240	940				
TID400	1.23	1-1/2	73	2850	2750	2640	2530	2410	2270	2090	1840	1610	410		
TID450	1.82	2	74	4220	4070	3920	3760	3590	3400	3190	2900	2660	1900	590	

MODEL	PEAK HP	MTR HP	dBA @ 5'	AIRFLOW PERFORMANCE (CFM) AT 3450 RPM											
				0" SP	.5" SP	1" SP	1.5" SP	2" SP	2.5" SP	3" SP	3.5" SP	4" SP	5" SP	6" SP	
TID200	0.24	1/3	68	810	740	650	520	380							
TID225	0.44	1/2	73	1020	960	900	810	690	520	140					
TID250	0.66	3/4	75	1530	1450	1360	1260	1120	960	790	510				
TID280	1.41	1-1/2	77	2140	2060	1980	1870	1750	1590	1390	1140	850			
TID315	2.58	3	82	3130	3020	2910	2790	2660	2520	2360	2160	1990	1490	500	
TID355	4.98	5	86	4258	4146	4037	3928	3814	3692	3560	3412	3248	2857	2342	

MODEL	DIMENSIONS IN INCHES*					MAX MTR FRAME
	A	B	C	D	T	
TID200	12.2	13.8	15.0	18	0.075	143/5T
TID225	14.2	16.3	17.5	20	0.075	143/5T
TID250	14.2	16.3	17.5	20	0.075	143/5T
TID280	16.2	18.0	19.5	21	0.075	143/5T
TID315	18.2	20.8	22.0	24	0.105	143/5T
TID355	21.2	23.3	24.5	26	0.105	182/4T
TID400	24.2	26.3	27.5	29	0.105	182/4T
TID450	24.2	26.3	27.5	29	0.105	182/4T



*DO NOT USE FOR CONSTRUCTION
CONSULT FACTORY FOR CERTIFIED PRINTS

IN-LINE FANS

AID AXIAL IN-LINE FANS

FEATURES & BENEFITS

- Spark resistant, cast aluminum airfoil axial impeller
- Factory set adjustable pitch blades
- Superior performance and sound characteristics
- Baked polyester powder coat finish
- GRP [polypropylene] blades available
- Fully reversible airflow option
- Custom mounting arrangements available
- External junction box
- Diameters from 12" to 27"; capacities to 11,400 cfm

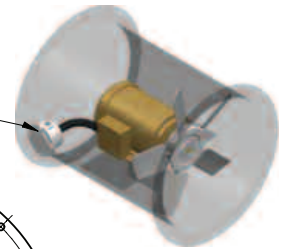
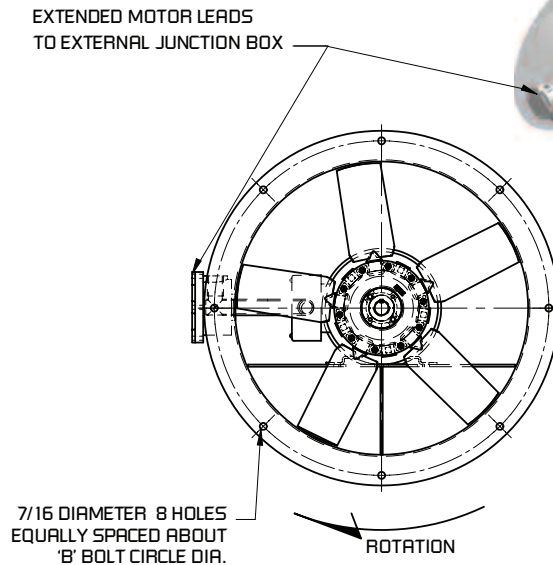
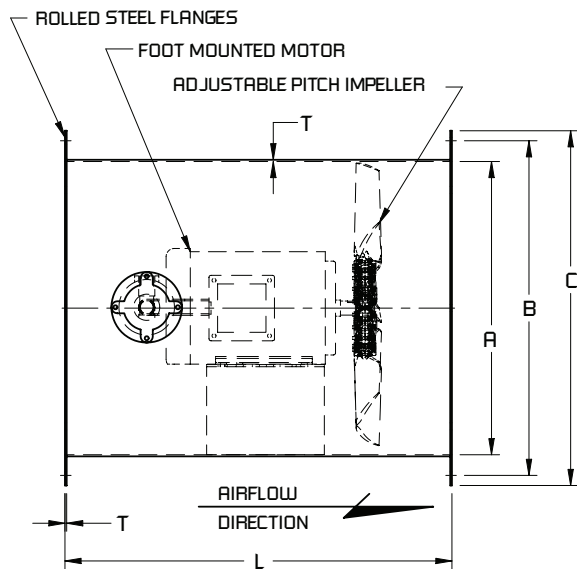


APPLICATIONS

- Process ventilation
- Cabinet cooling
- OEM applications

ACCESSORIES / OPTIONS

- Motor side guard
- Mounting feet
- Explosion proof & special duty motors
- Impeller side guard
- Horizontal mounting brackets
- AMCA spark resistant construction - consult factory



MODEL	DIMENSIONS IN INCHES*					MAX MTR FRAME
	A	B	C	L	T	
AID120	12.2	13.8	15.0	18.0	0.075	143/5T
AID140	14.2	16.3	17.5	20.0	0.075	143/5T
AID160	16.2	18.0	19.5	21.0	0.075	143/5T
AID180	18.2	20.8	22.0	24.0	0.105	143/5T
AID210	21.2	23.3	24.5	26.0	0.105	182/4T
AID240	24.2	26.3	27.5	29.0	0.105	182/4T
AID270	27.2	29.3	31.0	29.0	0.105	182/4T

MODEL	AIRFLOW PERFORMANCE (CFM)	
	MINIMUM	MAXIMUM
AID120	500	2600
AID140	800	4200
AID160	900	5600
AID180	1600	6800
AID210	1600	7000
AID240	2800	9000
AID270	3400	11400

*DO NOT USE FOR CONSTRUCTION

CONSULT FACTORY FOR CERTIFIED PRINTS

AXC IN-LINE DUCT FANS

FEATURES & BENEFITS

- Heavy gauge, drawn steel housing with baked epoxy finish
- 120V operation, other voltages available
- Easy to install - mounting brackets included
- May be mounted in any position
- Fans may be used to supply or exhaust air
- Suitable for air temperatures up to 140 F / 60 C
- Energy efficient - speed controllable (optional solid state speed control)
- Optional pre-wired with 120V power cord (AXC-C)
- Exceptionally quiet and efficient BC centrifugal motorized impeller
- External rotor motor design results in superior motor cooling and durability
- Permanently lubricated ball bearing motor for maintenance-free operation
- Automatic reset thermal overload protection
- Fan and motor are precision balanced for quiet and vibration-free operation
- Easily accessible, external junction box with pre-wired capacitor
- Available to fit duct sizes 4" - 12"; airflow capacities to 970 cfm



APPLICATIONS

- Conference room exhaust
- Humidity and moisture removal
- Equipment and spot cooling
- Computer rooms
- Powered make-up air
- Hair and nail salons

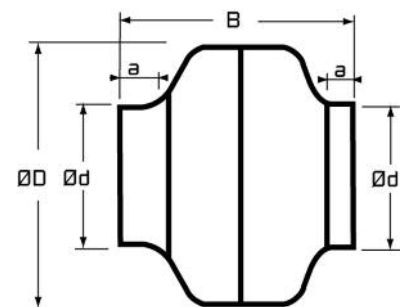
ACCESSORIES / OPTIONS

- Speed controls
- Backdraft dampers
- Mounting clamps
- Pressure switches
- Supply & exhaust grilles
- Roof & wall caps

MODEL	WATTS	RPM	AIRFLOW PERFORMANCE (CFM)								
			0" SP	0.2" SP	0.4" SP	0.6" SP	0.8" SP	1.0" SP	1.2" SP	1.5" SP	2.0" SP
AXC100A-ES	43.3	2580	147	130	107	82	57	34	11		
AXC100B	83.4	2620	150	140	127	112	94	74	53	23	
AXC125A-ES	44.4	2520	179	150	121	87	49	14			
AXC125B	85.4	2750	183	160	141	122	101	77	51	14	
AXC150A-ES	46.8	2390	235	190	148	97	44				
AXC150B-ES	89.2	2450	308	260	216	175	139	108	81	47	
AXC200A-ES	84.5	2500	368	300	234	184	149	114	70		
AXC200B-ES	188	2550	579	520	453	387	329	282	245	206	154
AXC250-ES	198	2470	616	550	488	431	379	330	286	227	143
AXC300A-ES	206	2450	780	700	595	420	330	290	255	210	132
AXC300B-ES	312	2780	970	910	803	680	559	453	367	273	164

FOR PRE-WIRED WITH 120V POWER CORD, ADD -C TO MODEL.

MODEL	DIMENSIONS IN INCHES*				
	D	d	a	B	SHIP WT (LBS)
AXC100A-ES	9.5	3.9	1.0	8.3	7.5
AXC100B	9.5	3.9	1.0	8.3	8.0
AXC125A-ES	9.5	4.8	1.0	8.3	7.5
AXC125B	9.5	4.8	1.0	8.3	7.5
AXC150A-ES	9.5	5.8	1.0	8.3	7.5
AXC150B-ES	13.2	5.8	1.0	9.1	12.5
AXC200A-ES	13.2	7.8	1.0	9.1	12.0
AXC200B-ES	13.2	7.8	1.0	9.1	15.0
AXC250-ES	13.2	9.8	1.0	9.1	15.0
AXC300A-ES	15.9	11.8	1.2	11.8	18.0
AXC300B-ES	15.9	11.8	1.2	11.8	18.0



*DO NOT USE FOR CONSTRUCTION

CONSULT FACTORY FOR CERTIFIED PRINTS



AIB BELT DRIVE TUBEAXIAL FANS

FEATURES & BENEFITS

- Spark resistant, cast aluminum airfoil axial impeller
- Factory set adjustable pitch blades
- Heavy duty welded steel and angle ring construction
- Baked polyester powder coat finish
- Mountable in ductwork in any position
- TEFC industrial duty motor; motor located outside of air stream
- Self-aligning pillow block ball bearings
- V-belt drives for low speed operation
- Completely sealed belt tube protects sheaves and belts from air stream
- Extended lube lines
- Shaft seal & water slinger

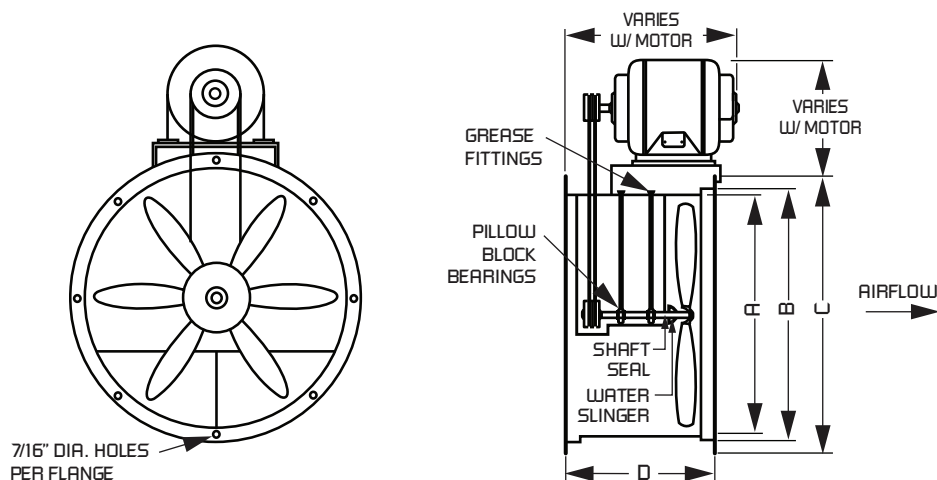


APPLICATIONS

- Process ventilation
- General ventilation
- In-line duct booster
- Moisture laden air
- Fumes, dust or smoke removal
- Contaminated air steams

ACCESSORIES / OPTIONS

- Horizontal mounting brackets
- Vertical mounting brackets
- Mounting legs
- Companion flanges
- Variable pitch sheaves
- Propeller side guard
- Motor side guard
- Inspection door
- Reverse flow construction
- Motor cover and/or belt guard
- 304 or 316 stainless steel construction
- Maximum 375 F construction
- Explosion proof & special duty motors
- Baked epoxy powder coat finish, two layers
- AMCA spark resistant construction - consult factory

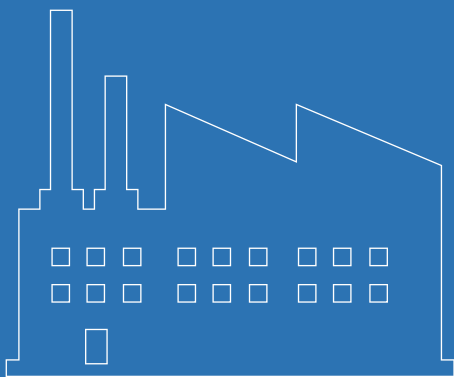


MODEL	DIMENSIONS IN INCHES*				WT (LBS) LESS MTR	MAX MTR FRAME
	A	B	C	D		
AIB-12	12	13.1	14	18	50	143T
AIB-15	15	16.1	17	18	65	143T
AIB-18	18	19.1	20	18	80	145T
AIB-24	24	25.8	27	18	100	184T
AIB-27	27	28.8	30	18	115	184T
AIB-30	30	31.8	33	18	125	184T
AIB-34	34	35.8	37	18	150	184T
AIB-36	36	37.9	39	18	195	215T
AIB-42	42	43.6	45	22	280	215T
AIB-48	48	49.6	51	24	345	215T
AIB-54	54	55.6	57	28	430	215T
AIB-60	60	61.6	63	30	540	215T

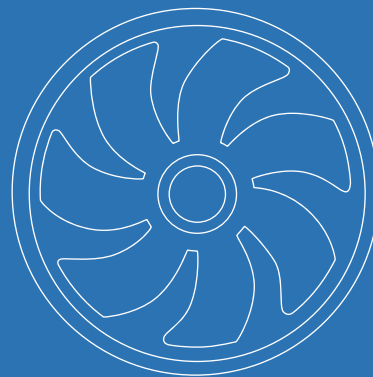
MODEL	AIRFLOW PERFORMANCE (CFM)	
	MINIMUM	MAXIMUM
AIB-12	600	2,044
AIB-15	1,000	4,250
AIB-18	1,500	5,350
AIB-24	1,775	11,400
AIB-27	2,000	13,480
AIB-30	3,500	16,440
AIB-34	6,700	20,500
AIB-36	9,500	22,500
AIB-42	9,950	33,300
AIB-48	13,900	41,200
AIB-54	18,000	45,000
AIB-60	20,000	54,000

*DO NOT USE FOR CONSTRUCTION

CONSULT FACTORY FOR CERTIFIED PRINTS



***Industrial Fans
& Blowers***



***OEM Solutions
& Custom Fans***



***Commercial Fans
& Dampers***



***Residential Fans &
Air Purifiers***



OEM Solutions & Custom Fans

Continental Fan Manufacturing Inc.
Buffalo, NY ~ Dayton, OH

Continental Fan Canada Inc.
Mississauga, Ontario

continentalfan.com
1-800-779-4021

Distributed by:



OEM-CAT-2109