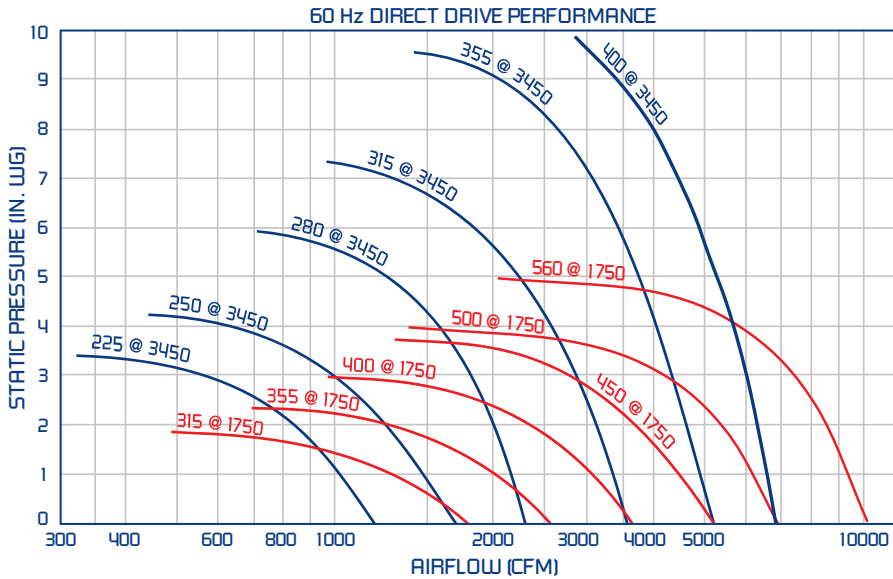


PLENUM & PLUG FANS

TEK PLENUM FANS

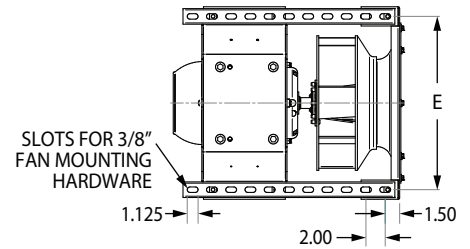
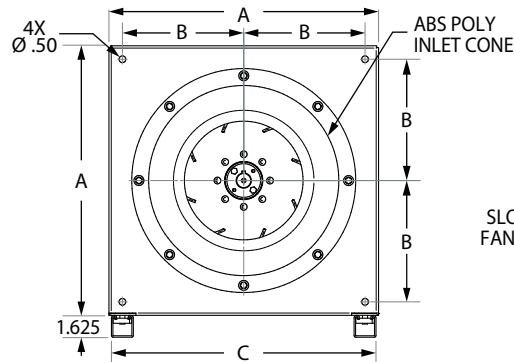
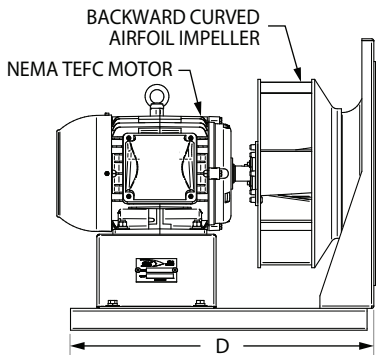
FEATURES & BENEFITS

- High efficiency, backward curved airfoil impeller
- Injection molded GRP polyamide TEK impeller
- Modular construction, compact design
- OEM custom configurations available
- Horizontal and vertical applications
- Non-overloading power characteristics
- TEFC industrial duty motors
- Supply and return air applications



MOTOR CHART		
MODEL	RPM	MTR HP
TEK225H-H2	3450	1/2
TEK250H-H2	3450	3/4
TEK280H-H2	3450	1-1/2
TEK315H-H4	1750	1/2
TEK315H-H2	3450	3
TEK355H-H4	1750	3/4
TEK355H-H2	3450	5
TEK400H-H4	1750	1-1/2
TEK400H-H2	3450	7-1/2
TEK450H-H4	1750	2
TEK500H-H4*	1750	5
TEK560H-H4*	1750	7-1/2

*CCW ROTATION ONLY FOR MODELS TEK500H & TEK560H



MODEL	DIMENSIONS IN INCHES*				
	A	B	C	D	E
TEK225H-H2	20.00	9.00	19.62	22.50	18.00
TEK250H-H2	20.00	9.00	19.62	22.50	18.00
TEK280H-H2	20.00	9.00	19.62	22.50	18.00
TEK315H-H4	20.00	9.00	19.62	22.50	18.00
TEK315H-H2	20.00	9.00	19.62	22.50	18.00
TEK355H-H4	20.00	9.00	19.62	22.50	18.00
TEK355H-H2	20.00	9.00	19.62	22.50	18.00
TEK400H-H4	30.00	13.50	29.62	28.50	28.00
TEK400H-H2	30.00	13.50	29.62	28.50	28.00
TEK450H-H4	30.00	13.50	29.62	28.50	28.00
TEK500H-H4	30.00	13.50	29.62	28.50	28.00
TEK560H-H4	30.00	13.50	29.62	28.50	28.00

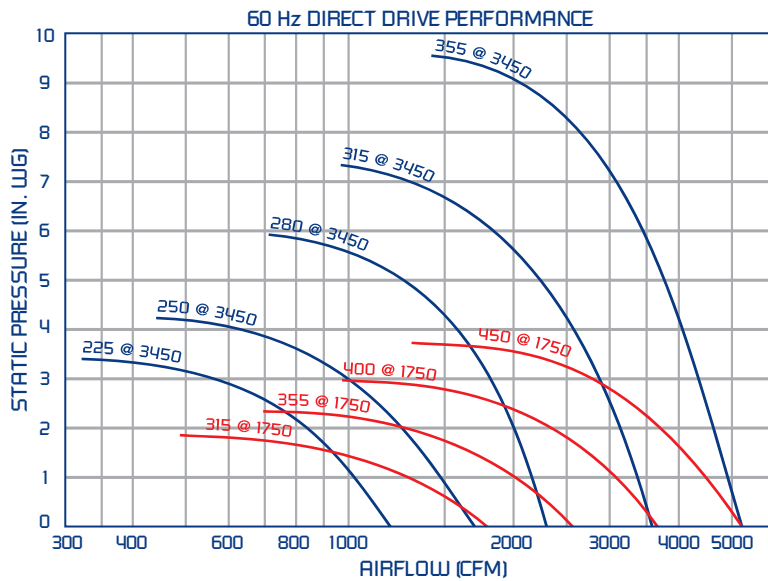
*DO NOT USE FOR CONSTRUCTION

CONSULT FACTORY FOR CERTIFIED PRINTS

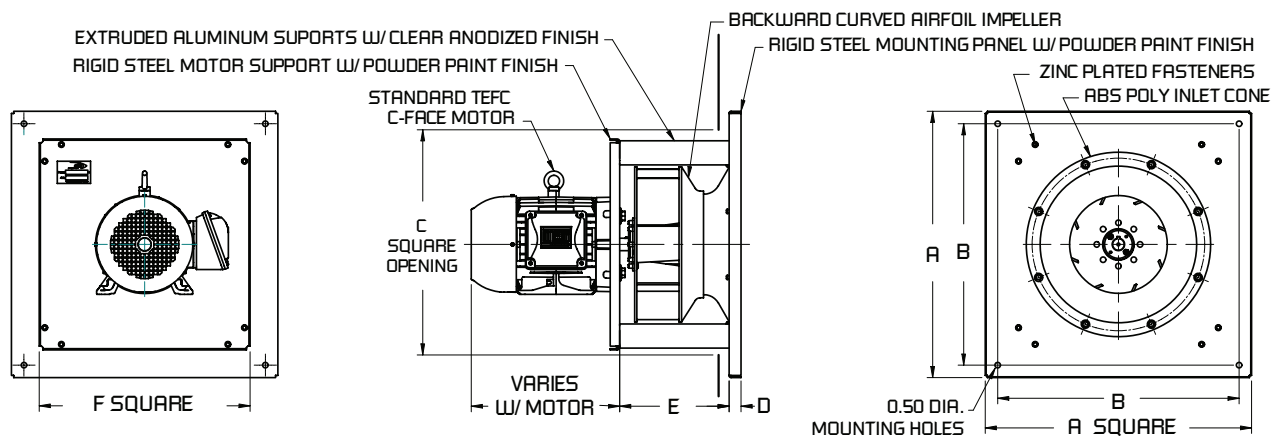
TEK PLUG FANS

FEATURES & BENEFITS

- High efficiency, backward curved airfoil impeller
- Injection molded GRP polyamide TEK impeller
- Modular construction, compact design
- OEM custom configurations available
- Horizontal and vertical applications
- Non-overloading power characteristics
- TEFC face mounted motors
- Supply and return air applications



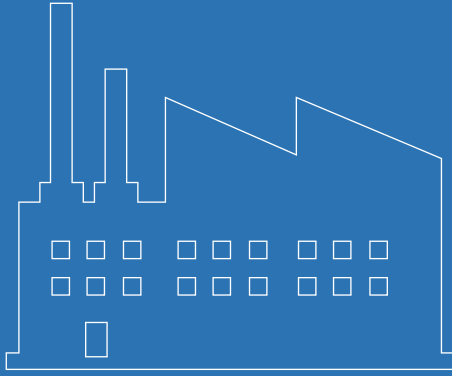
MOTOR CHART		
MODEL	RPM	MTR HP
TEK225H-V2	3450	1/2
TEK250H-V2	3450	3/4
TEK280H-V2	3450	1-1/2
TEK315H-V4	1750	1/2
TEK315H-V2	3450	3
TEK355H-V4	1750	3/4
TEK355H-V2	3450	5
TEK400H-V4	1750	1-1/2
TEK450H-V4	1750	2



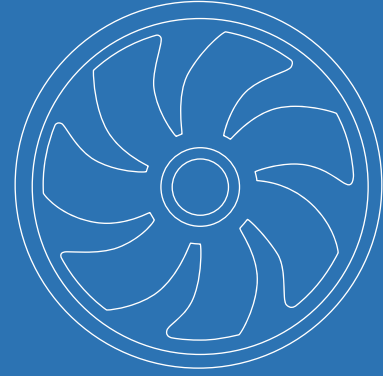
MODEL	DIMENSIONS IN INCHES*					
	A	B	C	D	E	F
TEK225H-V2	20.0	17.8	14.0	1.1	6.4	13.0
TEK250H-V2	20.0	17.8	15.0	1.1	7.1	14.0
TEK280H-V2	20.0	17.8	16.0	1.1	7.9	15.0
TEK315H-V4	24.0	21.8	17.5	1.1	8.6	17.0
TEK315H-V2	24.0	21.8	17.5	1.1	8.6	17.0
TEK355H-V4	24.0	21.8	19.5	1.1	9.5	19.0
TEK355H-V2	24.0	21.8	19.5	1.1	9.5	19.0
TEK400H-V4	28.0	25.8	20.5	1.1	10.5	20.0
TEK450H-V4	28.0	25.8	24.0	1.1	11.7	23.6

*DO NOT USE FOR CONSTRUCTION

CONSULT FACTORY FOR CERTIFIED PRINTS



***Industrial Fans
& Blowers***



***OEM Solutions
& Custom Fans***



***Commercial Fans
& Dampers***



***Residential Fans &
Air Purifiers***



OEM Solutions & Custom Fans

Continental Fan Manufacturing Inc.
Buffalo, NY ~ Dayton, OH

Continental Fan Canada Inc.
Mississauga, Ontario

continentalfan.com
1-800-779-4021

Distributed by:



OEM-CAT-2109