

IN-LINE FANS

ADD DIRECT DRIVE TUBEAXIAL FANS

FEATURES & BENEFITS

- Spark resistant, cast aluminum airfoil axial impeller
- Aerodynamically efficient performance
- Factory set adjustable pitch impeller
- Heavy duty welded steel and angle ring construction
- Baked polyester powder coat finish
- Simple maintenance – no belts or pulleys
- Mountable in ductwork in any position
- TEFC industrial duty motor
- Sizes range from 12” to 60”
- Capacities to 61,000 cfm

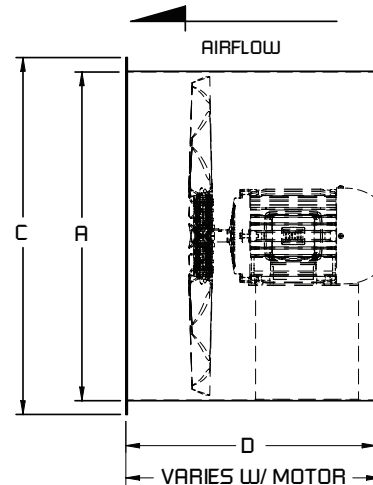
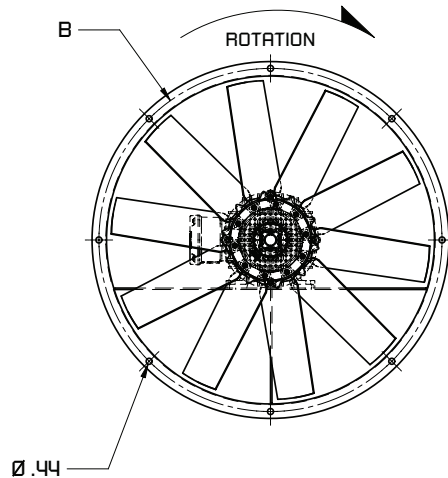


APPLICATIONS

- Process ventilation
- General ventilation
- In-line duct booster
- Fumes, dust or smoke removal

ACCESSORIES / OPTIONS

- Horizontal mounting brackets
- Vertical mounting brackets
- Mounting legs
- Companion flanges
- Motor side guard
- Impeller side guard
- Reverse flow construction
- Explosion proof & special duty motors
- Externally mounted & wired junction box
- 304 or 316 stainless steel construction
- Baked epoxy powder coat finish, two layers
- AMCA spark resistant construction - consult factory



MODEL	DIMENSIONS IN INCHES*				WT (LBS) LESS MTR	MAX MTR FRAME
	A	B	C	D		
ADD-12	12	13.1	14	14	25	56
ADD-18	18	19.1	20	14	50	145T
ADD-24	24	25.8	27	18	100	184T
ADD-27	27	28.8	30	18	110	184T
ADD-30	30	31.8	33	18	115	184T
ADD-34	34	35.8	37	18	145	184T
ADD-36	36	37.9	39	18	210	184T
ADD-42	42	43.6	45	18	245	215T
ADD-48	48	49.6	51	18	275	254T
ADD-54	54	55.6	57	24	645	286T
ADD-60	60	61.6	63	36	750	286T

MODEL	AIRFLOW PERFORMANCE (CFM)	
	MINIMUM	MAXIMUM
ADD-12	600	2,044
ADD-18	1,000	4,600
ADD-24	1,400	10,500
ADD-27	2,000	11,500
ADD-30	2,300	16,000
ADD-34	4,000	21,000
ADD-36	4,500	24,000
ADD-42	5,800	29,000
ADD-48	11,000	41,000
ADD-54	18,000	51,000
ADD-60	24,000	61,000

*DO NOT USE FOR CONSTRUCTION

CONSULT FACTORY FOR CERTIFIED PRINTS

AIB BELT DRIVE TUBEAXIAL FANS

FEATURES & BENEFITS

- Spark resistant, cast aluminum airfoil axial impeller
- Heavy duty welded steel and angle ring construction
- Baked polyester powder coat finish
- Mountable in ductwork in any position
- Factory set adjustable pitch impeller
- TEFC industrial duty motor located outside of air stream
- Self-aligning pillow block ball bearings
- V-belt drives for low speed operation
- Completely sealed belt tube protects sheaves and belts from air stream
- Extended lube lines
- Shaft seal & water slinger

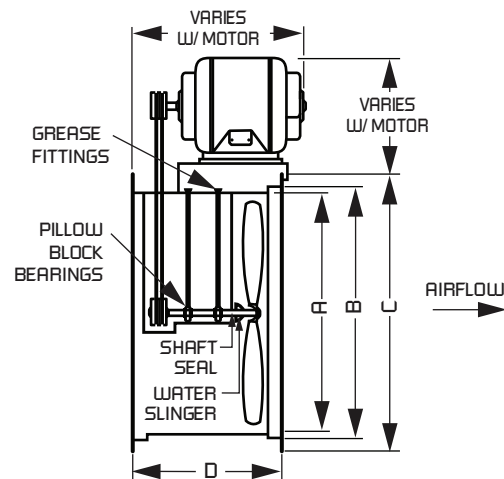
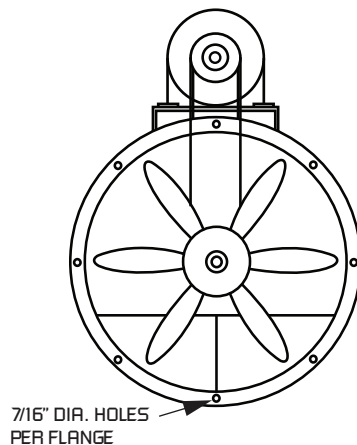


APPLICATIONS

- Process ventilation
- General ventilation
- In-line duct booster
- Moisture laden air
- Fumes, dust or smoke removal
- Contaminated air steams

ACCESSORIES / OPTIONS

- Horizontal mounting brackets
- Vertical mounting brackets
- Mounting legs
- Companion flanges
- Variable pitch sheaves
- Impeller side guard
- Motor side guard
- Inspection door
- Reverse flow construction
- Motor cover and/or belt guard
- 304 or 316 stainless steel construction
- Maximum 375 F construction
- Explosion proof & special duty motors
- Baked epoxy powder coat finish, two layers
- AMCA spark resistant construction - consult factory



MODEL	DIMENSIONS IN INCHES*				WT (LBS) LESS MTR	MAX MTR FRAME
	A	B	C	D		
AIB-12	12	13.1	14	18	50	143T
AIB-15	15	16.1	17	18	65	143T
AIB-18	18	19.1	20	18	80	145T
AIB-24	24	25.8	27	18	100	184T
AIB-27	27	28.8	30	18	115	184T
AIB-30	30	31.8	33	18	125	184T
AIB-34	34	35.8	37	18	150	184T
AIB-36	36	37.9	39	18	195	215T
AIB-42	42	43.6	45	22	280	215T
AIB-48	48	49.6	51	24	345	215T
AIB-54	54	55.6	57	28	430	215T
AIB-60	60	61.6	63	30	540	215T

MODEL	AIRFLOW PERFORMANCE (CFM)	
	MINIMUM	MAXIMUM
AIB-12	600	2,044
AIB-15	1,000	4,250
AIB-18	1,500	5,350
AIB-24	1,775	11,400
AIB-27	2,000	13,480
AIB-30	3,500	16,440
AIB-34	6,700	20,500
AIB-36	9,500	22,500
AIB-42	9,950	33,300
AIB-48	13,900	41,200
AIB-54	18,000	45,000
AIB-60	20,000	54,000

*DO NOT USE FOR CONSTRUCTION

CONSULT FACTORY FOR CERTIFIED PRINTS

At Continental Fan, *better AIRFLOW by DESIGN* is not just a slogan — it is a fact. Continental Fan's engineering department designs custom fans and delivers 3D models. Nearly all Continental Fan's industrial products can be customized for specific applications.

CUSTOMIZED ADD TUBEAXIAL FANS

These model ADD direct drive tubeaxial fans are designed for use on offshore oil well platforms and can withstand the ocean's harsh environment.

SPECIAL FEATURES

- Continuously welded construction
- Hot dip galvanized coating
- ELTA cast aluminum impeller
- Swivel yoke
- OSHA style front and rear guards
- TEFC motor with arctic duty grease



CUSTOMIZED AIB TUBEAXIAL FANS

Laboratories offer the most challenging fan applications. The problem is moist, corrosive, hot air. Continental Fan's answer is this all stainless steel belt driven tubeaxial fan.

SPECIAL FEATURES

- 316L Stainless Steel Construction
- 316L Stainless Steel Impeller
- High Temperature Construction to 375 F
- Continuously welded construction
- Horizontal Mounting Brackets
- Severe Duty Motor



CUSTOMIZED FCIB FIBERGLASS FANS

These model FCIB direct drive tubeaxial fans are ideal for corrosive environments or contaminated air stream applications.

SPECIAL FEATURES

- FRP housing and airstream parts
- Impeller in FRP, SS, epoxy painted aluminum, or other material options
- Steel or stainless steel parts outside airstream
- Stainless steel shaft and hardware
- 100 C / 212 F max. operating temperature
- Sizes range from 18" to 60"



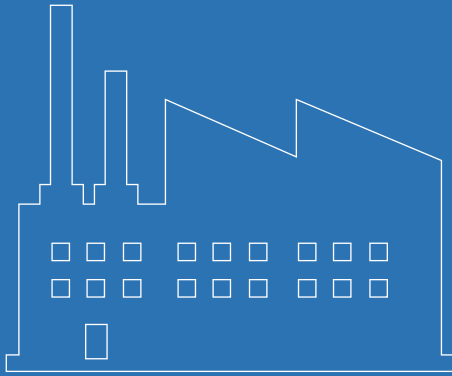
CUSTOMIZED MIXED FLOW FANS

Mechanical Equipment Rooms are vital to the operation of high rise buildings in major metropolitan areas. The need is for continuous operation, large volumes of air, low noise and minimum maintenance. The answer is CFM's Mixed Flow Fans. These special mixed flow fans are installed in Tower 4 of the New World Trade Center Complex in New York City.

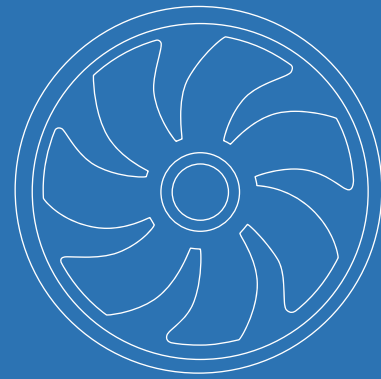
SPECIAL FEATURES

- High capacity mixed flow adjustable pitch impellers
- Super quiet, highly efficient performance
- Multiple blade setting available
- Exact performance matching
- Direct Drive units with external junction box to minimize maintenance
- TEFC motors





***Industrial Fans
& Blowers***



***OEM Solutions
& Custom Fans***



***Commercial Fans
& Dampers***



***Residential Fans &
Air Purifiers***



Industrial Fans & Blowers

Continental Fan Manufacturing Inc.
Buffalo, NY ~ Dayton, OH

Continental Fan Canada Inc.
Mississauga, Ontario

continentalfan.com
1-800-779-4021

Distributed by:



IFD-CAT-2109