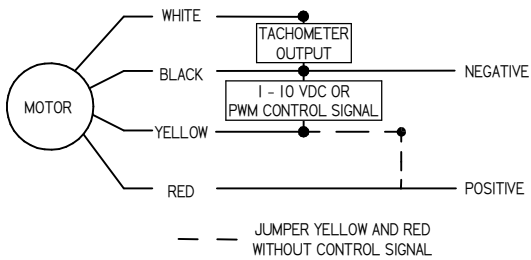
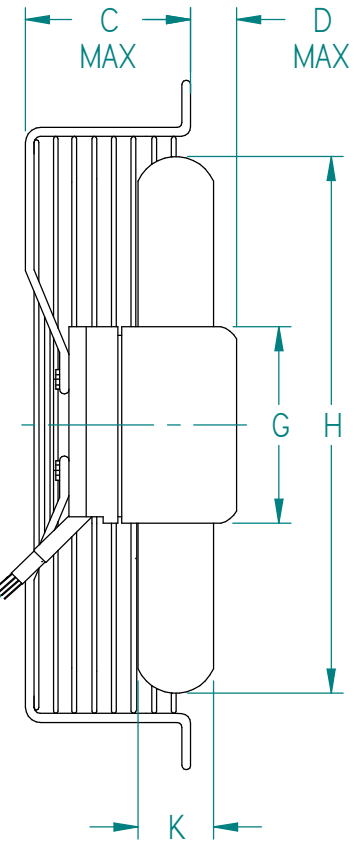
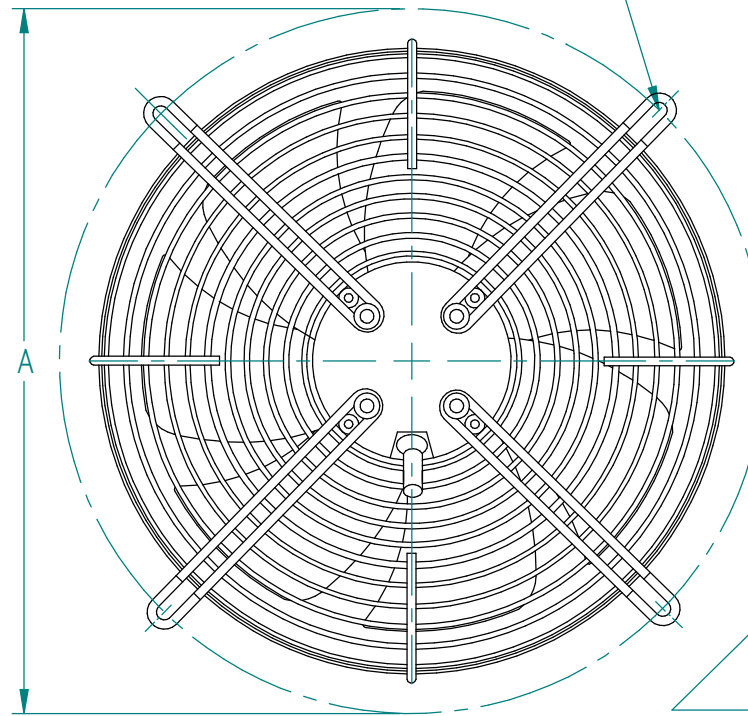


4 X M DIAMETER MOUNTING HOLES
EQUALLY SPACED ABOUT GUARD



MOTOR WIRING DIAGRAM



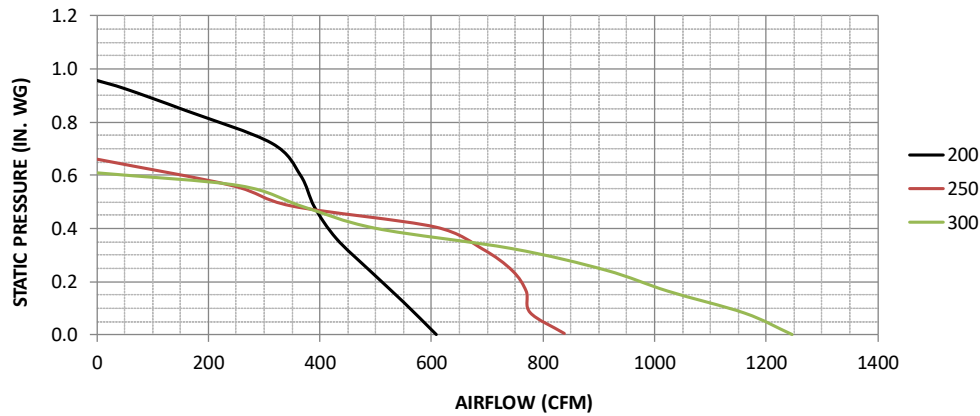
AIRFLOW DIRECTION

DIMENSIONS IN INCHES

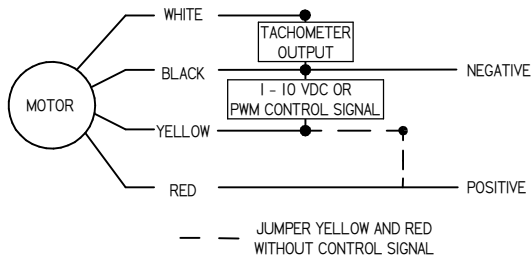
MODEL	A	C	D	G	H	K	L	M
DXG200-2DC	10.55	2.56	1.22	3.62	7.87	1.38	17.72	0.28
DXG250-2DC	12.60	2.95	0.83	3.62	9.84	1.38	17.72	0.26
DXG300-2DC	14.17	3.15	1.63	3.62	11.81	2.56	17.72	0.28

DIMENSIONS SUBJECT TO CHANGE WITHOUT NOTICE.
DRAWING NOT TO BE USED FOR CONSTRUCTION.

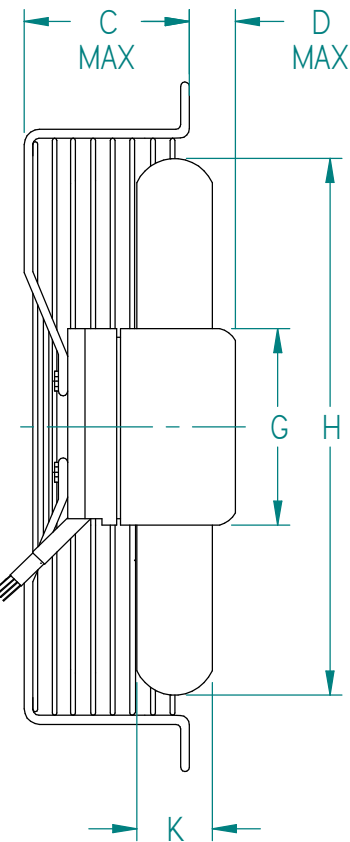
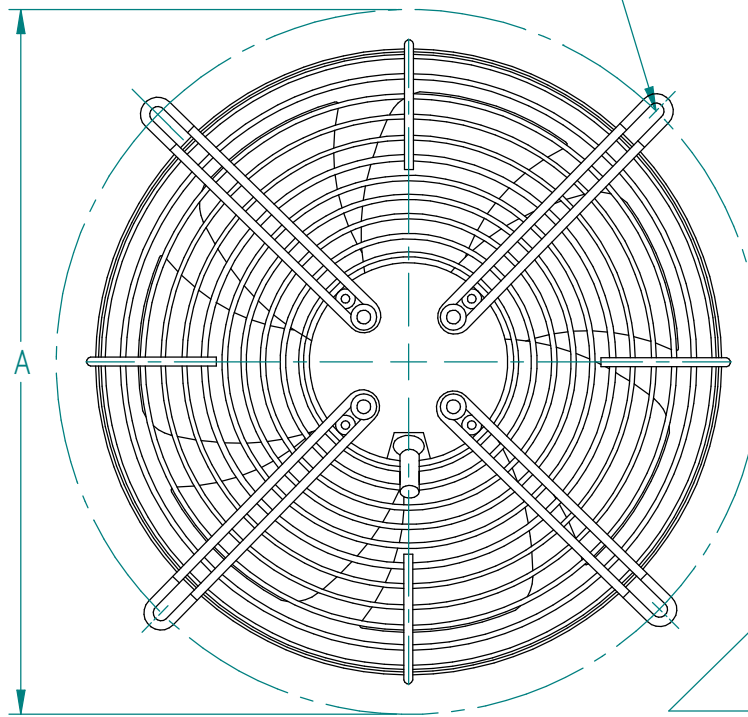
		CFM Better Airflow By Design	
		MOTORIZED AXIAL DC GUARD FAN	
		DXG-DC GENERAL SUBMITTAL	
02 01	15 MAR 2021 18 MAR 2015	BSS JME	
REV	DATE	BY	J. M. EVANS DEC 2014 DXG-DC General Submittal.dft



4 X M DIAMETER MOUNTING HOLES EQUALLY SPACED ABOUT GUARD



MOTOR WIRING DIAGRAM



MODEL	DIMENSIONS IN INCHES							
	A	C	D	G	H	K	L	M
DXG200V-2DC	10.55	2.56	1.22	3.62	7.87	1.38	17.72	0.28
DXG250V-2DC	12.60	2.95	0.83	3.62	9.84	1.38	17.72	0.26
DXG300V-2DC	14.17	3.15	1.63	3.62	11.81	2.56	17.72	0.28

DIMENSIONS SUBJECT TO CHANGE WITHOUT NOTICE. DRAWING NOT TO BE USED FOR CONSTRUCTION.

		CFM Better Airflow By Design	
		MOTORIZED AXIAL DC GUARD FAN	
		DXG-DC GENERAL SUBMITTAL	
02 01	15 MAR 2021 18 MAR 2015	BSS JME	
REV	DATE	BY	J. M. EVANS I. DEC. 2014 DXG-DC General Submittal.dft